


## 100/102/122 Series Low Profile Circuit Board Mount Fuse Clips for 1/4" Diameter Fuses RoHS



### Product Characteristics

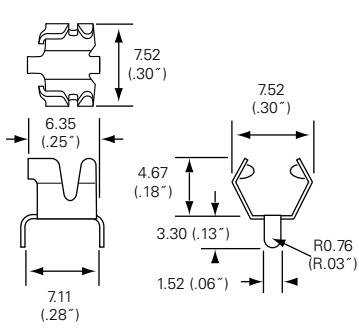
	102 080	122 090	100 058
<b>Compatible Fuse Size</b>	<b>1/4" Diameter and 6.3mm Fuses</b>		
<b>Current Level</b>	15 Amps max	30 Amps max	15 Amps max

### Agency Approval

Agency	Agency File Number		
	<b>102 080</b>	<b>122 090</b>	<b>100 058</b>
	E14721		

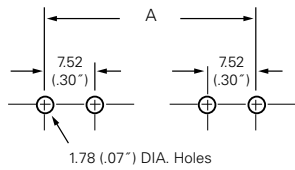
### Product Dimensions

#### 102/122 Series



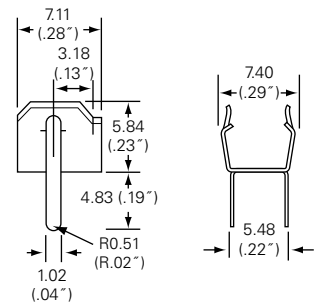
#### Mounting Dimensions for 102/122 Series

Nominal Fuse Length	"A" Length
5/8	.760
3/4	.880
7/8	1.005
1	1.130
1 1/16	1.195
1 1/4	1.380
1 7/16	1.570



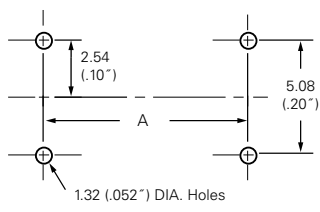
#### Recommended Mounting Dimensions

#### 100 Series



#### Mounting Dimensions for 100 Series

Nominal Fuse Length	"A" Length
1	0.781
1 1/14	1.035
1 7/16	1.250



#### Recommended Mounting Dimensions

## Ordering Information

Ordering PN*	Catalog No.	Clip Material	Plating	Style	Packaging Available
0102 0080	102 080	Spring Brass	Tin-plated	Ear	Z
0122 0090	122 090	Beryllium Copper	Silver-plated	Ear	Z & ZR
0100 0058	100 058	Spring Brass	Tin-plated	Ear	Z

**Add Suffix to the Ordering PN for Packaging**

"Z" = for bulk package, 2000pcs

ZR = Tape and reel package, 500pcs

## Additional Information



**Datasheet  
100 Series**



**Resources  
100 Series**



**Samples  
100 Series**



**Datasheet  
102 Series**



**Resources  
102 Series**



**Samples  
102 Series**



**Datasheet  
122 Series**



**Resources  
122 Series**



**Samples  
122 Series**

## X-ON Electronics

Largest Supplier of Electrical and Electronic Components

*Click to view similar products for [Fuse Clips](#) category:*

*Click to view products by [Littelfuse](#) manufacturer:*

Other Similar products are found below :

[5960-64](#) [659524](#) [707190](#) [124472H](#) [BK/4222](#) [BK/4861-01](#) [1A5600](#) [JN1](#) [1A1310-05](#) [1A5940](#) [4121](#) [4207](#) [4861-01](#) [BK/1A5778](#) [BK/1A5779](#)  
[BK1A5780](#) [BK/5682-02](#) [4180](#) [3561TR](#) [1A5780](#) [9483](#) [1A3400-12-R](#) [3519](#) [KEYSTONE](#) [01230001Z](#) [01000057H](#) [01020071Z](#) [01250001Z](#)  
[05200001N](#) [0LCC6](#) [5960-09](#) [BK-1A5601-01](#) [8040.0001](#) [01000058Z](#) [01220087Z](#) [01020079Z](#) [01050002Z](#) [01070002Z](#) [01210002Z](#)  
[BK/1A1119-05](#) [FC -102 bright tin](#) [FC -211 bright tin](#) [3515](#) [3517](#) [3520](#) [3522](#) [3529](#) [3533](#) [3534](#) [3544](#) [3545](#)