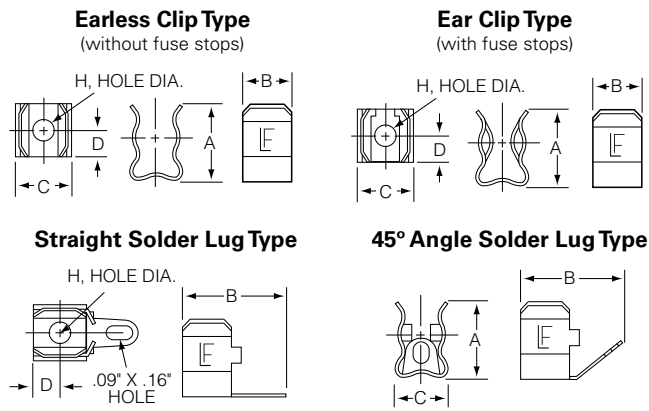


Product Dimensions



Catalog No.	Fuse Diameter	A	B	C	D	H Diameter
101001 101002 121001 121002	1/4"	.48"	.31"	.30"	.16"	.131"
101003 121004				.56"	.31"	
102064		NA				
105001 105002 125001 125002		13/32"	.75"	.44"	.52"	
	.74"					
107002 127001 127002	9/16"	.94"	.59"	.65"	.25"	.203"
109001 109002 129001 129002	13/16"	1.31"	.75"	.88"	.31"	.265"

Product Characteristics

	101/102/121 Series	105/125 Series	107/127 Series	109/129 Series
Compatible Fuse Size	1/4" Dia Fuses	13/32" Dia Fuses	9/16" Dia Fuses	13/16" Dia Fuses

Additional Information

 Datasheet 101 Series	 Resources 101 Series	 Samples 101 Series
 Datasheet 102 Series	 Resources 102 Series	 Samples 102 Series
 Datasheet 121 Series	 Resources 121 Series	 Samples 121 Series
 Datasheet 105 Series	 Resources 105 Series	 Samples 105 Series
 Datasheet 125 Series	 Resources 125 Series	 Samples 125 Series
 Datasheet 107 Series	 Resources 107 Series	 Samples 107 Series
 Datasheet 127 Series	 Resources 127 Series	 Samples 127 Series
 Datasheet 109 Series	 Resources 109 Series	 Samples 109 Series
 Datasheet 129 Series	 Resources 129 Series	 Samples 129 Series

Ordering Information

Ordering PN*	Catalog PN	Material	Plating	Style	Current Level	Packaging
0101 0001	101 001	Spring Brass	Nickel-plated	Ear	15A max	Z
0121 0001	121 001	Beryllium Copper	Silver-plated	Ear	30A max	Z
0105 0001	105 001	Spring Brass	Nickel-plated	Ear	15A max	Z
0125 0001	125 001	Beryllium Copper	Silver-plated	Ear	30A max	Z
0127 0001	127 001	Beryllium Copper	Silver-plated	Ear	30A max	Z
0109 0001	109 001	Phos. Bronze	Nickel-plated	Ear	60A max	H or Z
0129 0001	129 001	Beryllium Copper	Silver-plated	Ear	60A max	H or Z
0101 0002	101 002	Spring Brass	Nickel-plated	Earless	15A max	Z
0121 0002	121 002	Beryllium Copper	Silver-plated	Earless	30A max	Z
0105 0002	105 002	Spring Brass	Nickel-plated	Earless	15A max	Z
0125 0002	125 002	Beryllium Copper	Silver-plated	Earless	30A max	Z
0107 0002	107 002	Spring Brass	Nickel-plated	Earless	30A max	Z
0127 0002	127 002	Beryllium Copper	Silver-plated	Earless	30A max	H or Z
0109 0002	109 002	Phos. Bronze	Nickel-plated	Earless	60A max	H or Z
0129 0002	129 002	Beryllium Copper	Silver-plated	Earless	60A max	H or Z
0101 0003	101 003	Spring Brass	Tin-plated	Ear- Solder Lug 45*	15A max	Z
0121 0004	121 004	Beryllium Copper	Silver-plated	Ear- Solder Lug 45*	30A max	H or Z
0102 0064	102 064	Spring Brass	Tin-plated	Ear-Solder Lug Straight	15A max	H or Z

Add Suffix to the Ordering PN for Packaging

"H" =std. package 100 pcs per pack

"Z" =for bulk package

X-ON Electronics

Largest Supplier of Electrical and Electronic Components

Click to view similar products for [Fuse Clips](#) category:

Click to view products by [Littelfuse](#) manufacturer:

Other Similar products are found below :

[5960-64](#) [659524](#) [707190](#) [124472H](#) [BK/4222](#) [BK/4861-01](#) [1A5600](#) [JN1](#) [1A1310-05](#) [1A5940](#) [4121](#) [4207](#) [4861-01](#) [BK/1A5778](#) [BK/1A5779](#)
[BK1A5780](#) [BK/5682-02](#) [4180](#) [3561TR](#) [1A5780](#) [9483](#) [1A3400-12-R](#) [3519](#) [KEYSTONE](#) [01230001Z](#) [01000057H](#) [01020071Z](#) [01250001Z](#)
[05200001N](#) [0LCC6](#) [5960-09](#) [BK-1A5601-01](#) [8040.0001](#) [01000058Z](#) [01220087Z](#) [01020079Z](#) [01050002Z](#) [01070002Z](#) [01210002Z](#)
[BK/1A1119-05](#) [FC -102 bright tin](#) [FC -211 bright tin](#) [3515](#) [3517](#) [3520](#) [3522](#) [3529](#) [3533](#) [3534](#) [3544](#) [3545](#)