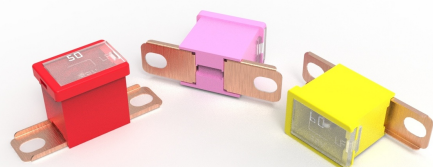


PAL Fuses - 283 Series

Rated 32 V DC

RoHS



PAL Fuses - 283 Series

Specifications

Voltage Rating:	32 V DC
Current Cycling:	24°C
Operating Temperature Range:	-40°C to +125°C
Complies with	JASO 0612

Description

Many Japanese automakers use 283 Series Auto Link PAL fuses as original equipment. These 32 V bolt-down cartridge fuses withstand extreme temperatures while protecting circuits for alternators and starters. During tests, each 283 Series PAL fuse met its performance requirements when receiving 50 % of its ampere rating for 10 000 cycles when current flowed for 5 minutes and was shut off for 10 minutes. The tests were conducted while the temperature of the bolt-down cartridge fuse was 24 °C.

Features & Benefits

- Color coding indicates ampere rating
- Two mounting holes ensure secure mounting
- Transparent covers make it easier to see when fuses blow

Applications

- Cars made in Japan and the United States

Ordering Information

Part Number	Package Size
0283xxx.H	100
0283xxx.U	500
0283xxx.MXJ	1000

PAL Fuses - 283 Series

Rated 32 V DC

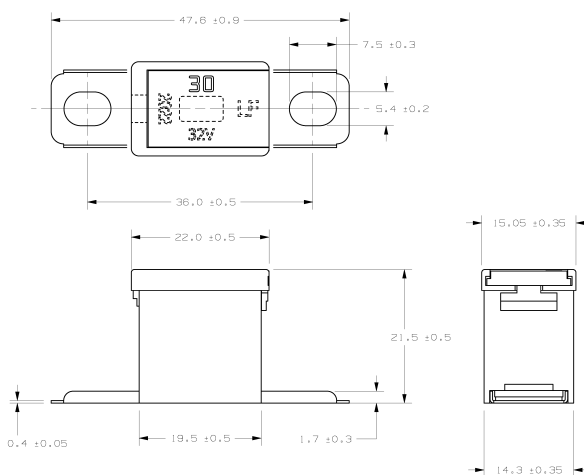
Ratings

Part Number	Current Rating (A)	Body Color
0283030_	30	PINK
0283040_	40	GREEN
0283050_	50	RED
0283060_	60	YELLOW
0283070_	70	BROWN
0283080_	80	BLACK
0283100_	100	BLUE
0283120_	120	WHITE
0283140_	140	REDDISH BROWN

(Average Initial Measurements)

Dimensions

Dimensions in mm



PAL Fuses - 283 Series

Rated 32 V DC

Time-Current Characteristics

% of Rating	Opening Time Min / Max (s)
110	14,400
200	5 / 100
350	0.2 / 7
600	0.040 / 1

X-ON Electronics

Largest Supplier of Electrical and Electronic Components

Click to view similar products for [Automotive Fuses](#) category:

Click to view products by [Littelfuse](#) manufacturer:

Other Similar products are found below :

[ATM-4LP](#) [299080](#) [HBO-70](#) [0287015](#) [FMM-15](#) [0297003.WXT](#) [0695060.PXPS](#) [MRBF-075](#) [MRBF-300](#) [MRBF-200](#) [ANX80-UL-20A](#)
[ANX80-UL-25A](#) [ANX80-UL-30A](#) [ANX80-UL-35A](#) [ANX80-UL-40A](#) [ANT-I-3A](#) [APM-I-25A](#) [APR-10A](#) [APR-25A](#) [ANX58-UL-20A](#)
[ANX58-UL-25A](#) [ANX58-UL-35A](#) [ANX58-UL-40A](#) [ANX58-UL-50A](#) [ANM-4A](#) [ANM-25A](#) [ANE-175A](#) [APM-25A](#) [APM-4A](#) [ACB2-PL-](#)
[15A](#) [ACB2-PL-25A](#) [ANM58-15A](#) [ANM58-5A](#) [FMX-LP-20A](#) [MIDA-50A](#) [0695040.PXP](#) [0327030.YX2T](#) [0298500.UX1M8](#) [0299070.ZXT](#)
[20A32V](#) [ATM-1](#) [MRBF-040](#) [MRBF-100](#) [MRBF-250](#) [MRBF-050](#) [MRBF-060](#) [CFCOVER-2R](#) [MRBF-030](#) [3298600.ZXM10](#) [AMG-80](#)