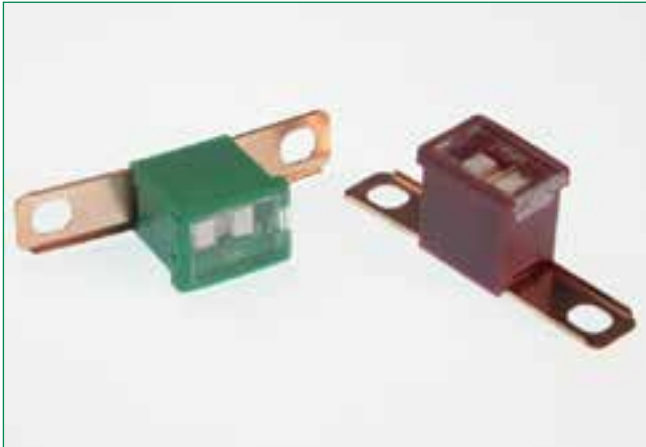


AUTO LINK PAL FUSES - 295

RoHS



Description

PAL fuses are commonly found on many Japanese and domestic built vehicles.

Specifications

Voltage Rating: 32 VDC
 Current Cycling: 24°C
 The fuses satisfy the performance requirements after 50% of the rated current is applied for 10,000 cycles. Each cycle consists of an interrupted current with the pattern of 5 minutes ON and 10 minutes OFF.
 Operating Temperature Range: -40°C to +125°C

Complies with JASO 0612

Ordering Information

Part Number	Package Size
0295xxx.H	100
0295xxx.U	500
0295xxx.MXJ	1000

Time-Current Characteristics

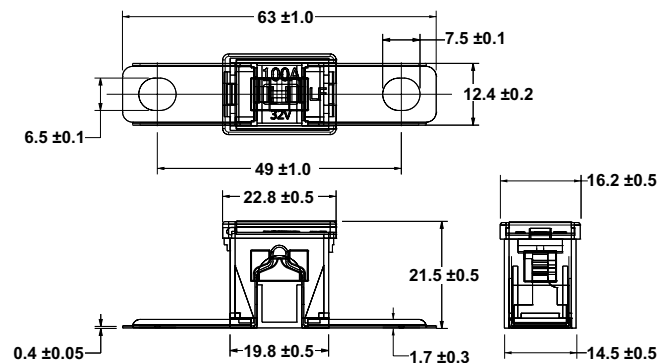
% of Rating	Opening Time Min / Max (s)
110	14,400 s
200	5 s / 100 s
350	0.2s / 7 s
600	0.040 s / 1 s

Ratings

Part Number	Current Rating (A)	Body Color
0295020._	20	LIGHT BLUE
0295030._	30	PINK
0295040._	40	GREEN
0295050._	50	RED
0295060._	60	YELLOW
0295070._	70	BROWN
0295080._	80	BLACK
0295100._	100	BLUE
0295120._	120	WHITE
0295140._	140	REDDISH BROWN

Dimensions

Dimensions in mm



X-ON Electronics

Largest Supplier of Electrical and Electronic Components

Click to view similar products for [Automotive Fuses](#) category:

Click to view products by [Littelfuse](#) manufacturer:

Other Similar products are found below :

[ATM-4LP](#) [299080](#) [HBO-70](#) [0287015](#) [FMM-15](#) [0297003.WXT](#) [0695060.PXPS](#) [MRBF-075](#) [MRBF-300](#) [MRBF-200](#) [ANX80-UL-20A](#)
[ANX80-UL-25A](#) [ANX80-UL-30A](#) [ANX80-UL-35A](#) [ANX80-UL-40A](#) [ANT-I-3A](#) [APM-I-25A](#) [APR-10A](#) [APR-25A](#) [ANX58-UL-20A](#)
[ANX58-UL-25A](#) [ANX58-UL-35A](#) [ANX58-UL-40A](#) [ANX58-UL-50A](#) [ANM-4A](#) [ANM-25A](#) [ANE-175A](#) [APM-25A](#) [APM-4A](#) [ACB2-PL-](#)
[15A](#) [ACB2-PL-25A](#) [ANM58-15A](#) [ANM58-5A](#) [FMX-LP-20A](#) [MIDA-50A](#) [0695040.PXP](#) [0327030.YX2T](#) [0298500.UX1M8](#) [0299070.ZXT](#)
[20A32V](#) [ATM-1](#) [MRBF-040](#) [MRBF-100](#) [MRBF-250](#) [MRBF-050](#) [MRBF-060](#) [CFCOVER-2R](#) [MRBF-030](#) [3298600.ZXM10](#) [AMG-80](#)