

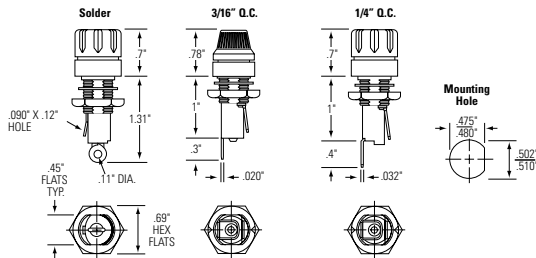
342 Series

Panel Mount Enclosed Fuseholders for 3AG/AB Fuses

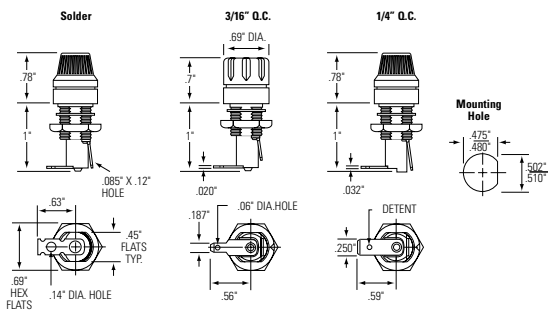


Dimensions

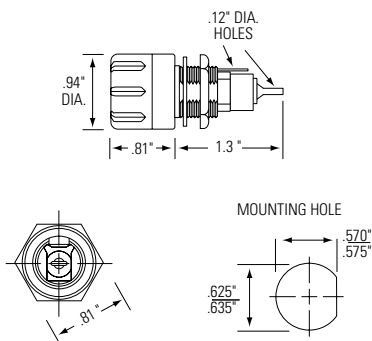
General Application / Straight Terminal Product Dimensions



General Application / Right Angle Terminal Product Dimensions



Watertight Product Dimensions



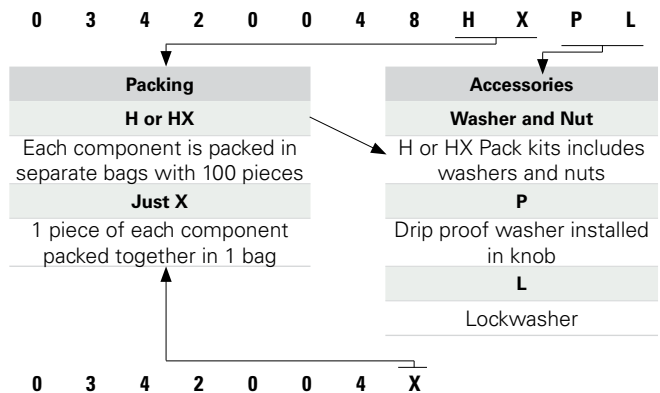
Product Characteristics

| | General Application Products | Watertight Product |
|-------------------------------------|---------------------------------------------------------------------------------------------|------------------------------------------------------------------------------------|
| Compatible Fuses | 3AG/AB | |
| Electrical | Rated at 20 amperes for any voltage up to 250 | |
| Ambient Temperature | -40°C to +85°C | |
| Dielectric Strength | 2400 volts minimum | 1500 volts minimum |
| Mounting | Withstands 15 lb.-in. mounting torque; maximum panel thickness: .187" | Withstands 15 lb.-in. mounting torque; maximum panel thickness is .250" |
| Molded Parts | Black thermoplastic (UL94 V-0) | Black thermoset (UL94 V-0) |
| Seal | Neoprene washer provide drip-proof protection on the front side of the panel (upon request) | O-ring provides a watertight seal on the front side of the panel per MIL-PRF-19207 |
| Terminals | Copper & copper alloy. Tin plated, except ¼" Quick-Connect terminals are nickel plated | Copper & copper alloy. Tin plated |
| Hardware | Comes with a mounting nut and neoprene washer | O-rings (2) and hex nut, unassembled |
| Ingression Protection Rating | IP40 | IP67 |

Agency Approvals

| Agency | Agency File Number |
|--------|------------------------|
| | E14721 |
| | 7316 (*Except 342 006) |

Kit part Numbering System



Additional Information



Resources



Accessories



Samples

342 Series

Panel Mount Enclosed Fuseholders for 3AG/AB Fuses

General Application

| Ordering PN | Body | Knob | Washer | Lockwasher | Nut | Angle | Connect | Knob Type |
|--------------|---------------|----------------|-----------|------------|-----------|----------|------------|-----------|
| 03420004H | 03420004HX010 | 03420104HX040 | 09010002H | N / A | 09030012H | Right | Solder | Fluted |
| 03420004HXL | 03420004HX010 | 03420104HX040 | 09010002H | 09050023H | 09030012H | Right | Solder | Fluted |
| 03420004HXP | 03420004HX010 | 03420104HXP040 | 09010002H | N / A | 09030012H | Right | Solder | Fluted |
| 03420004HXPL | 03420004HX010 | 03420104HXP040 | 09010002H | 09050023H | 09030012H | Right | Solder | Fluted |
| 03420004X | 342004-010 | 342104-040 | N / A | N / A | N / A | Right | Solder | Fluted |
| 03420012H | 03420012HX010 | 03420012HX040 | 09010002H | N / A | 09030012H | Straight | Solder | Knurled |
| 03420012HXL | 03420012HX010 | 03420012HX040 | 09010002H | 09050023H | 09030012H | Straight | Solder | Knurled |
| 03420012HXP | 03420012HX010 | 03420012HXP040 | 09010002H | N / A | 09030012H | Straight | Solder | Knurled |
| 03420012X | 342012-010 | 342012-040 | N / A | N / A | N / A | Straight | Solder | Knurled |
| 03420014H | 03420012HX010 | 03420104HX040 | 09010002H | N / A | 09030012H | Straight | Solder | Fluted |
| 03420014HXL | 03420012HX010 | 03420104HX040 | 09010002H | 09050023H | 09030012H | Straight | Solder | Fluted |
| 03420014X | 342012-010 | 342104-040 | N / A | N / A | N / A | Straight | Solder | Fluted |
| 03420022H | 03420004HX010 | 03420012HX040 | 09010002H | N / A | 09030012H | Right | Solder | Knurled |
| 03420022HXL | 03420004HX010 | 03420012HX040 | 09010002H | 09050023H | 09030012H | Right | Solder | Knurled |
| 03420022X | 342004-010 | 342012-040 | N / A | N / A | N / A | Right | Solder | Knurled |
| 03420028H | 03420028HX010 | 03420104HX040 | 09010002H | N / A | 09030012H | Right | 3/16" Q.C. | Fluted |
| 03420028HXL | 03420028HX010 | 03420104HX040 | 09010002H | 09050023H | 09030012H | Right | 3/16" Q.C. | Fluted |
| 03420028X | 342028-010 | 342104-040 | N / A | N / A | N / A | Right | 3/16" Q.C. | Fluted |
| 03420038H | 03420038HX010 | 03420104HX040 | 09010002H | N / A | 09030012H | Straight | 3/16" Q.C. | Fluted |
| 03420038HXL | 03420038HX010 | 03420104HX040 | 09010002H | 09050023H | 09030012H | Straight | 3/16" Q.C. | Fluted |
| 03420038X | 342038-010 | 342104-040 | N / A | N / A | N / A | Straight | 3/16" Q.C. | Fluted |
| 03420048H | 03420028HX010 | 03420012HX040 | 09010002H | N / A | 09030012H | Right | 3/16" Q.C. | Knurled |
| 03420048HXL | 03420028HX010 | 03420012HX040 | 09010002H | 09050023H | 09030012H | Right | 3/16" Q.C. | Knurled |
| 03420048HXPL | 03420028HX010 | 03420012HXP040 | 09010002H | 09050023H | 09030012H | Right | 3/16" Q.C. | Knurled |
| 03420048X | 342028-010 | 342012-040 | N / A | N / A | N / A | Right | 3/16" Q.C. | Knurled |
| 03420058H | 03420038HX010 | 03420012HX040 | 09010002H | N / A | 09030012H | Straight | 3/16" Q.C. | Knurled |
| 03420058HXL | 03420038HX010 | 03420012HX040 | 09010002H | 09050023H | 09030012H | Straight | 3/16" Q.C. | Knurled |
| 03420058X | 342038-010 | 342012-040 | N / A | N / A | N / A | Straight | 3/16" Q.C. | Knurled |
| 03420828H | 03420828HX010 | 03420104HX040 | 09010002H | N / A | 09030012H | Right | 1/4" Q.C. | Fluted |
| 03420828HXL | 03420828HX010 | 03420104HX040 | 09010002H | 09050023H | 09030012H | Right | 1/4" Q.C. | Fluted |
| 03420828X | 342828-010 | 342104-040 | N / A | N / A | N / A | Right | 1/4" Q.C. | Fluted |
| 03420838H | 03420838HX010 | 03420104HX040 | 09010002H | N / A | 09030012H | Straight | 1/4" Q.C. | Fluted |
| 03420838HXA | 342838-010 | 342104-040 | 901-002 | N / A | 903-012 | Straight | 1/4" Q.C. | Fluted |
| 03420838HXL | 03420838HX010 | 03420104HX040 | 09010002H | 09050023H | 09030012H | Straight | 1/4" Q.C. | Fluted |
| 03420838HXP | 03420838HX010 | 03420104HXP040 | 09010002H | N / A | 09030012H | Straight | 1/4" Q.C. | Fluted |
| 03420838X | 342838-010 | 342104-040 | N / A | N / A | N / A | Straight | 1/4" Q.C. | Fluted |
| 03420848H | 03420828HX010 | 03420012HX040 | 09010002H | N / A | 09030012H | Right | 1/4" Q.C. | Knurled |
| 03420848HXL | 03420828HX010 | 03420012HX040 | 09010002H | 09050023H | 09030012H | Right | 1/4" Q.C. | Knurled |
| 03420848X | 342828-010 | 342012-040 | N / A | N / A | N / A | Right | 1/4" Q.C. | Knurled |
| 03420858H | 03420838HX010 | 03420012HX040 | 09010002H | N / A | 09030012H | Straight | 1/4" Q.C. | Knurled |
| 03420858HXL | 03420838HX010 | 03420012HX040 | 09010002H | 09050023H | 09030012H | Straight | 1/4" Q.C. | Knurled |
| 03420858HXP | 03420838HX010 | 03420012HXP040 | 09010002H | N / A | 09030012H | Straight | 1/4" Q.C. | Knurled |
| 03420858HXPL | 03420838HX010 | 03420012HXP040 | 09010002H | 09050023H | 09030012H | Straight | 1/4" Q.C. | Knurled |
| 03420858X | 342838-010 | 342012-040 | N / A | N / A | N / A | Straight | 1/4" Q.C. | Knurled |
| 03420858XXL | 342838-010 | 342012-040 | N / A | 905-023 | N / A | Straight | 1/4" Q.C. | Knurled |

Watertight

| Ordering PN | Body | Knob | Washer | Lockwasher | Nut | Angle | Connect | Knob Type |
|-------------|----------|----------|---------|------------|---------|----------|---------|-----------|
| 03420006T | 342006-1 | 342006-2 | 901-262 | N / A | 903-068 | Straight | Solder | Fluted |
| 03420006Z | 342006-1 | 342006-2 | 901-262 | N / A | 903-068 | Straight | Solder | Fluted |
| 03420006ZXA | 342006-1 | 342006-2 | 901-262 | N / A | 903-068 | Straight | Solder | Fluted |

Note: T = 10 pieces assembled per bag.

Z = 200 pieces assembled per bag

ZXA = 200 pieces of body and knob assembled, washer and nut in separate bags

Disclaimer Notice - Information furnished is believed to be accurate and reliable. However, users should independently evaluate the suitability of and test each product selected for their own applications. Littelfuse products are not designed for, and may not be used in, all applications. Read complete Disclaimer Notice at: www.littelfuse.com/disclaimer-electronics.

X-ON Electronics

Largest Supplier of Electrical and Electronic Components

Click to view similar products for [Fuse Holder](#) category:

Click to view products by [Littelfuse](#) manufacturer:

Other Similar products are found below :

[570-290-741P40](#) [0031.1351.01](#) [020417G](#) [020418E](#) [6R30A1B](#) [F30A3S](#) [80910030](#) [8601.2020](#) [G15A2SPQ](#) [9-3557-GP REV A](#) [HDJ-B](#)
[R6J30A3S](#) [HFH-1](#) [RF30A1S](#) [RF30A2B](#) [RF30A3SP](#) [BK/HHM](#) [BK/HJM-HH](#) [HTJ-LES-FUSE](#) [C4044-1](#) [2086-1](#) [2602](#) [2650](#) [178.000100](#)
[F60A2SQ](#) [T30A2B](#) [G4PB8](#) [2660](#) [CQ-209V](#) [HKP-CCHH](#) [R6F30A2S](#) [341001A](#) [345621A](#) [348670](#) [CVRMCC](#) [4202](#) [4407](#) [4408](#) [4413](#) [4423](#)
[4532](#) [4537](#) [TSD1404-12](#) [BPHHU](#) [HPC](#) [55900008011](#) [32NNL](#) [345602-010](#) [345603-010](#) [345612](#)