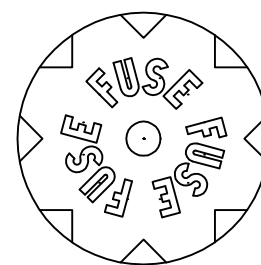
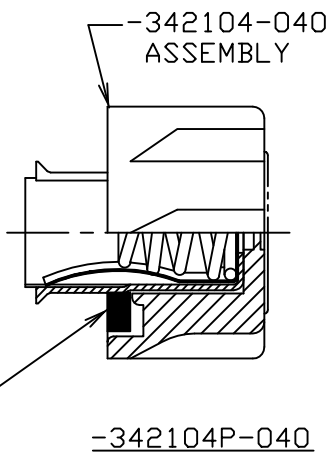
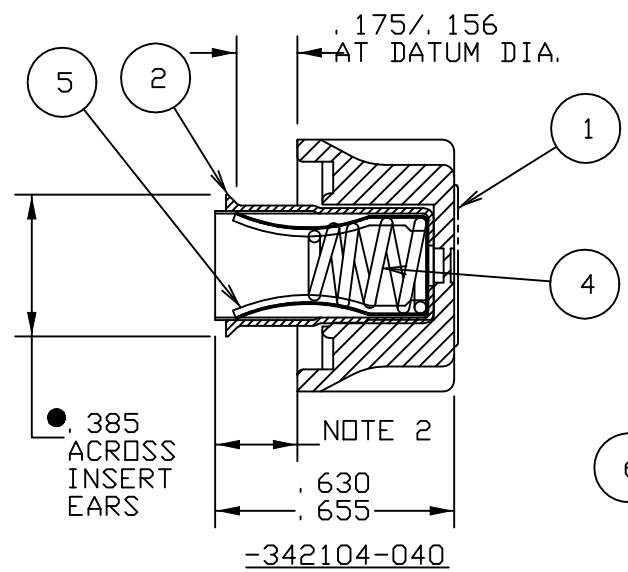
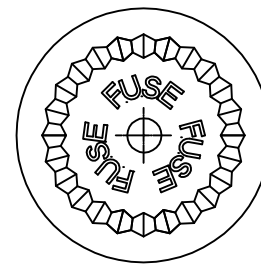
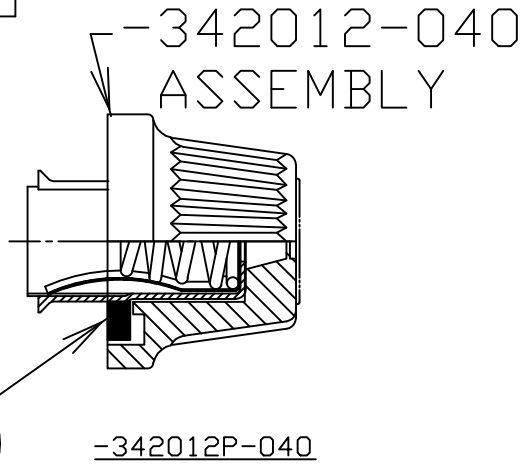
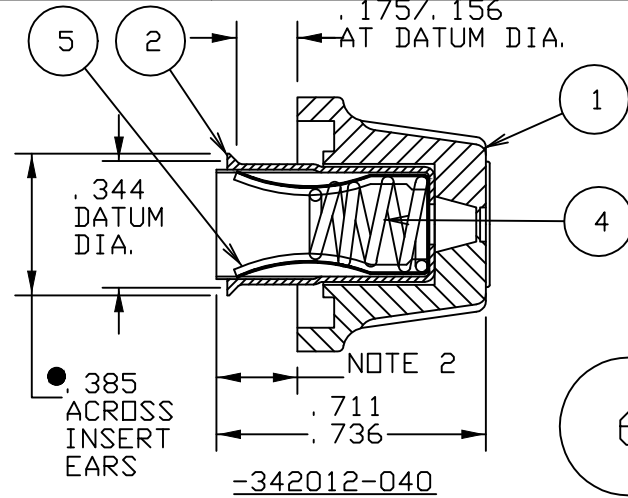


PART No.	KNOB ①	WASHER ⑥
-342012-040	-342012-200	N/A
-342012P-040	-342012-200	-901-124
-342104-040	-342104-200	N/A
-342104P-040	-342104-200	-901-124



PACKAGING NOTES:
ASSEMBLIES ARE USED INTERNALLY FOR PACKAGING REQUIREMENTS. NO PACKAGING REQUIRED.

GENERAL NOTES:

- KNOB INSERT TO BE FULLY SEATED IN KNOB.
- THIS AREA OF INSERT AND THE INSIDE OF THE INSERT MUST BE FREE OF ADHESIVE.
- ADHESIVE IS APPLIED INSIDE THE KNOB TO SECURE THE INSERT.

INSPECTION NOTES:

- THE INSERT TO KNOB ASSEMBLY MUST WITHSTAND THE FOLLOWING TESTS WITHOUT LOOSENING:
5.0 IN-LB TORQUE
15 LB AXIAL PUSH
10 LB AXIAL PULL
- ASSEMBLY MUST FUNCTION WITH FUSES 0.246 AND 0.254 DIA. AFTER WITHSTANDING (10) INSERTION CYCLES OF A 0.254 DIA. PLUG GAGE OR MAX FUSE GAGE G-0679 TO A DEPTH OF 0.290". THE KNOB ASSEMBLY MUST BE ABLE TO RETAIN A 0.246 DIA. PLUG
- KNOB TO BODY FIT MUST BE ABLE TO WITHSTAND 4.5 IN-LB OF TORQUE WITHOUT STRIPPING.
- THE ASSEMBLIES WITH WASHERS MUST BE INSPECTED TO ASSURE THEIR CAPABILITY TO MATE WITH AND ASSEMBLE CORRECTLY TO THE APPROPRIATE BODY ASSEMBLY.

6	SEE CHART	WASHER, KNOB	EA	1000
5	883-030	CONTACT SPRING CLIP	EA	1000
4	-912-249	SPRING	EA	1000
3	-087121	ADHESIVE	LB	0.016
2	-342004-6	KNOB INSERT	EA	1000
1	SEE CHART	KNOB	EA	1000
NO	COMPONENT NO	DESCRIPTION	QTY/M	U/M

BILL OF MATERIAL

MATL SPEC		FINISH	
DRW	JMB	DATE	4/2/98
CHK		DATE	
APPD		DATE	
COPIES TO		SCALE	2=1
1	9 18	SUPER DRW	
2	10 19	RAW STK WT	LBS/M
3	12 20	TOLERANCE UNLESS OTHERWISE SPECIFIED	
4	13 21	TWO PLACE DEC ±.01	
5	14 23	THREE PLACE DEC ±.005	
6	15 33	ANGULAR ±1°	
7	16 43		
8	17 53		

TITLE
3AG PANEL MOUNT FUSEHOLDER
KNOB ASSEMBLY

Littelfuse
DES PLAINES, ILLINOIS 60016

REVISION J
DRAWG. NO. -342000-040
SERIES

LTR	REVISION	CHK	APD
G	39252C- REVISED & REDRAWN ON NEW FORMAT 6/30/98 JMB		
H	507554ECE/C-DN BDM, CHG. CLIP P/N. 02/28/13 MLB	H. SALTINAS	H. SALTINAS
J	509860ECE/C-DN BDM, CHG. CLIP P/N. 12/26/13 MLB	H. SALTINAS	H. SALTINAS

UNLESS OTHERWISE SPECIFIED, DIMENSIONS DO NOT INCLUDE PLATING.

● DENOTES CRITICAL CHARACTERISTICS.
DENOTES CPK DIMENSIONS, -MINIMUM CPK VALUE
DENOTES A CHARACTERISTIC THAT PROVIDES AN INDICATION OF PROCESS PERFORMANCE. PROCEDURE FOR MEASUREMENT AND TRACKING TO BE DEFINED IN LITTELFUSE INSPECTION INSTRUCTIONS.
CPK

⬡ DENOTES CP DIMENSIONS, -MINIMUM CP VALUE
MUST BE WITHIN THE DIMENSIONAL LIMITATIONS SHOWN ON DRAWING AND INITIALLY LOCATED TO ALLOW FOR MAXIMUM TOOL LIFE.
CP

X-ON Electronics

Largest Supplier of Electrical and Electronic Components

Click to view similar products for [Fuse Holder Accessories](#) category:

Click to view products by [Littelfuse](#) manufacturer:

Other Similar products are found below :

[BK/1A1337](#) [1A1853](#) [1A4421](#) [1A5220](#) [903-048](#) [1A1337](#) [1A4544](#) [1A5220-01](#) [CO2-10](#) [CO3-03](#) [348897](#) [B072-7007](#) [BK/1A4421](#) [BK/9732](#)
[X30110](#) [09030012H](#) [09050023H](#) [00970021HXNVDL](#) [00BS0232P](#) [CO2-04](#) [BK1A1853](#) [BK9834](#) [0880.0001](#) [00970053XP](#) [3566C](#)
[00970053H](#) [04450718ZX900](#) [CH10CL](#) [BP/FP-3](#) [58600000005](#) [33-012C](#) [880140](#) [00970023S](#) [880150](#) [PDM71009ZXM](#) [B109-7091-4](#) [B109-](#)
[7091-6](#) [B109-7091-5](#) [901-524](#) [CVR-RH-25100](#) [LFH60030FBC](#) [03540514Z](#) [03540526Z](#) [03540531Z](#) [03540541Z](#) [03540525Z](#) [03540537Z](#)
[03540539Z](#) [03540540Z](#) [FEH](#)