

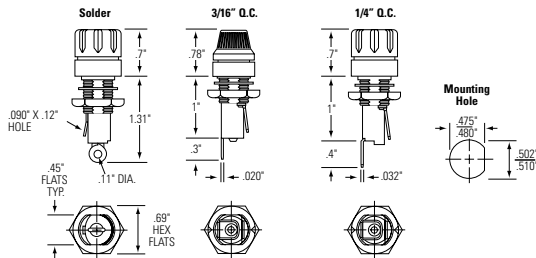
342 Series

Panel Mount Enclosed Fuseholders for 3AG/AB Fuses

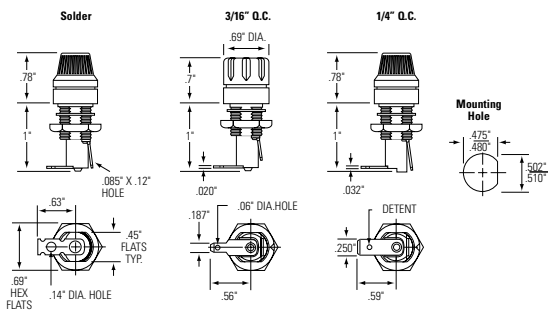


Dimensions

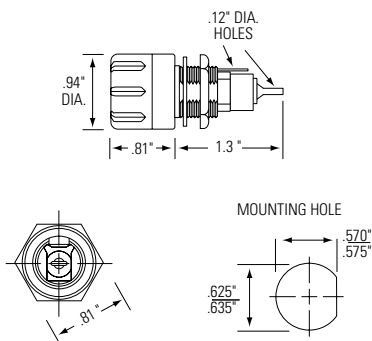
General Application / Straight Terminal Product Dimensions



General Application / Right Angle Terminal Product Dimensions



Watertight Product Dimensions



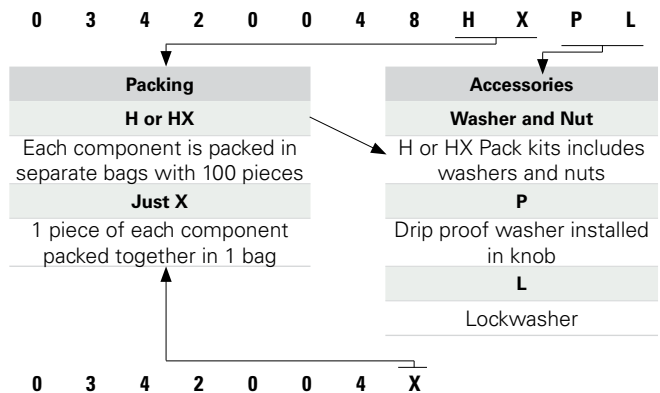
Product Characteristics

| | General Application Products | Watertight Product |
|-------------------------------------|---|--|
| Compatible Fuses | 3AG/AB | |
| Electrical | Rated at 20 amperes for any voltage up to 250 | |
| Ambient Temperature | -40°C to +85°C | |
| Dielectric Strength | 2400 volts minimum | 1500 volts minimum |
| Mounting | Withstands 15 lb.-in. mounting torque; maximum panel thickness: .187" | Withstands 15 lb.-in. mounting torque; maximum panel thickness is .250" |
| Molded Parts | Black thermoplastic (UL94 V-0) | Black thermoset (UL94 V-0) |
| Seal | Neoprene washer provide drip-proof protection on the front side of the panel (upon request) | O-ring provides a watertight seal on the front side of the panel per MIL-PRF-19207 |
| Terminals | Copper & copper alloy. Tin plated, except ¼" Quick-Connect terminals are nickel plated | Copper & copper alloy. Tin plated |
| Hardware | Comes with a mounting nut and neoprene washer | O-rings (2) and hex nut, unassembled |
| Ingression Protection Rating | IP40 | IP67 |

Agency Approvals

| Agency | Agency File Number |
|--------|------------------------|
| | E14721 |
| | 7316 (*Except 342 006) |

Kit part Numbering System



Additional Information



Resources



Accessories



Samples

X-ON Electronics

Largest Supplier of Electrical and Electronic Components

Click to view similar products for [Fuse Holder](#) category:

Click to view products by [Littelfuse](#) manufacturer:

Other Similar products are found below :

[0031.1351.01](#) [6R30A1B](#) [6SC30A2IC](#) [F30A3S](#) [F600A3B](#) [80910030](#) [80910080](#) [9-3557-GP REV A](#) [HFH-1](#) [RF30A1S](#) [RF30A2B](#) [RF30A3SP](#)
[15602-04-08-21](#) [HTJ-LES-FUSE](#) [RTMF-SC](#) [2602](#) [2650](#) [178.000100](#) [F60A2SQ](#) [T30A2B](#) [G4PB8](#) [2660](#) [HKP-CCHH](#) [R6F30A2S](#) [341001A](#)
[345621A](#) [348670](#) [CVRMCC](#) [4202](#) [4408](#) [4423](#) [4532](#) [4537](#) [TSD1404-12](#) [HPC](#) [55900008011](#) [345602-010](#) [345603-010](#) [345612](#) [345903A](#)
[3578](#) [3833-5](#) [3833-7](#) [3992](#) [4393](#) [4409](#) [4522](#) [4574](#) [02800031Z](#) [ESFH04/HTCC35M](#)