

ISF SERIES FUSE HOLDERS



Description

ISF Series Panel Mount Fuse Holders are designed for 3AG Glass Style fuses to eliminate the possibility of electrical shock from the installed fuse, as defined in IEC standards 65 and 257. These Shock-Safe fuse holders feature a low profile body, finger-grip knob, and anti-tease feature that eliminates circuit interruption when knob is accidentally depressed. UL-listed and CSA Certified. Recognized under UL's Components Program.

Web Resources

Download 2D print and technical resources at:
littelfuse.com/155Series

Ordering Information

PART NUMBER	DESCRIPTION
03453LF2XP	Panel Mount 3AG Fuse Holder - Carded Retail Package

Recommended Fuses



312 and 318 Series Fast Acting Glass Fuses

Automotive Glass Body Fuses

313 and 315 Series Slo-Bio Glass Fuses

Automotive Glass Body Fuses

Features and Benefits

- Shock-Safe Design eliminates accidental shock to installer/operator
- Low Profile Body for Sleek Installation
- Straight 3/16" Quick Connect terminals for easy wiring
- Can be installed to a panel without a screwdriver
- UL & CSA Recognized to 20A, 250V

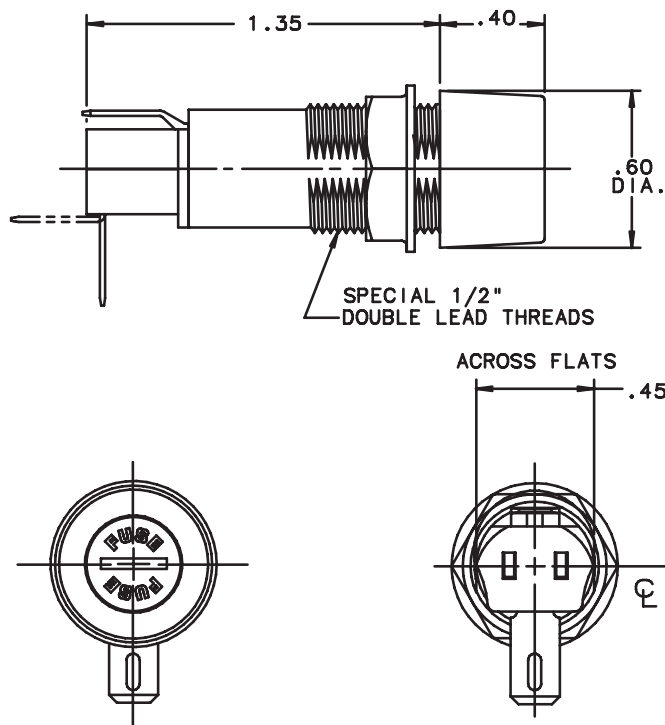
Applications

- Hole-Mounted Slow- or Fast-blowing Automotive Fusing

Specifications Overview

Max Voltage:	250V DC
Max Fuse Rating:	20A
Terminals:	Straight 3/16" Quick Connect

Dimensions in MM



Visit Littelfuse.com for the most up-to-date product information. Littelfuse products are designed for specific applications and should not be used for any purpose (including, without limitation, automotive applications) not expressly set forth in applicable Littelfuse product documentation. Warranties granted by Littelfuse shall be deemed void for products used for any purpose not expressly set forth in applicable Littelfuse product documentation. Littelfuse shall not be liable for any claims or damages arising out of products used in applications not expressly intended by Littelfuse as set forth in applicable Littelfuse product documentation.

X-ON Electronics

Largest Supplier of Electrical and Electronic Components

Click to view similar products for [Fuse Holder](#) category:

Click to view products by [Littelfuse](#) manufacturer:

Other Similar products are found below :

[570-290-741P40](#) [570-290-751P40](#) [020417G](#) [020418E](#) [6R30A1B](#) [F600A3B](#) [80910030](#) [8601.2020](#) [G15A2SPQ](#) [9-3557-GP REV A](#) [HDJ-B](#)
[R6J30A3S](#) [HFH-1](#) [RF30A2B](#) [RF30A3SP](#) [15600-08-10](#) [BK/FHN19G](#) [BK/HHM](#) [BK/HKP-CCHH](#) [BK/HKP-JJ](#) [BK/HTJ-LES-FUSE](#) [HMG-](#)
[241](#) [HTJ-LES-FUSE](#) [C4044-1](#) [2086-1](#) [2193](#) [2602](#) [2650](#) [178.000100](#) [FHN31G1](#) [T30A2B](#) [G4PB8](#) [2660](#) [2799](#) [CQ-209V](#) [HKP-CCHH](#)
[R6F30A2S](#) [341001A](#) [345621A](#) [CVRMCC](#) [4202](#) [4407](#) [4408](#) [4413](#) [4423](#) [4532](#) [4537](#) [TSD1404-12](#) [BK/FHN31G1](#) [BK/HC-5](#)