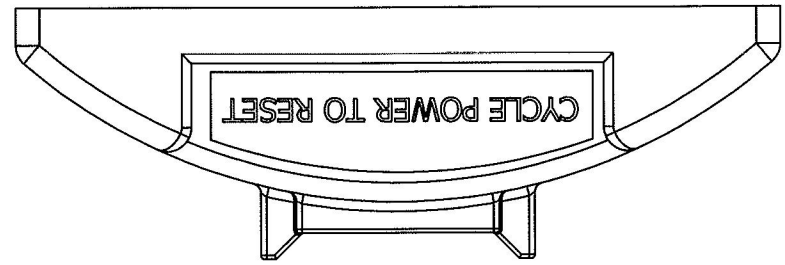
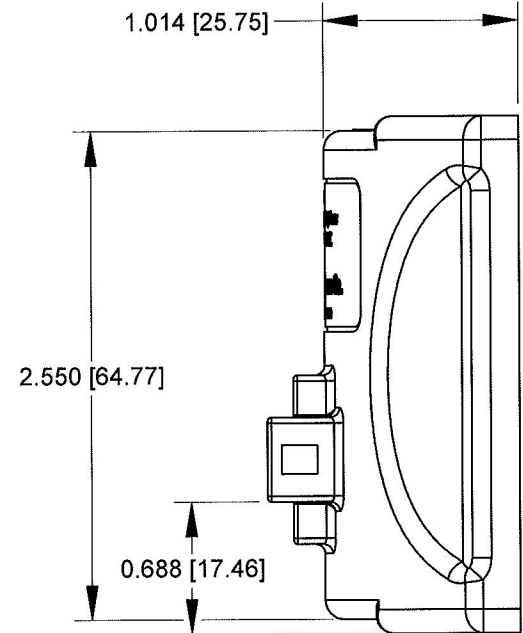
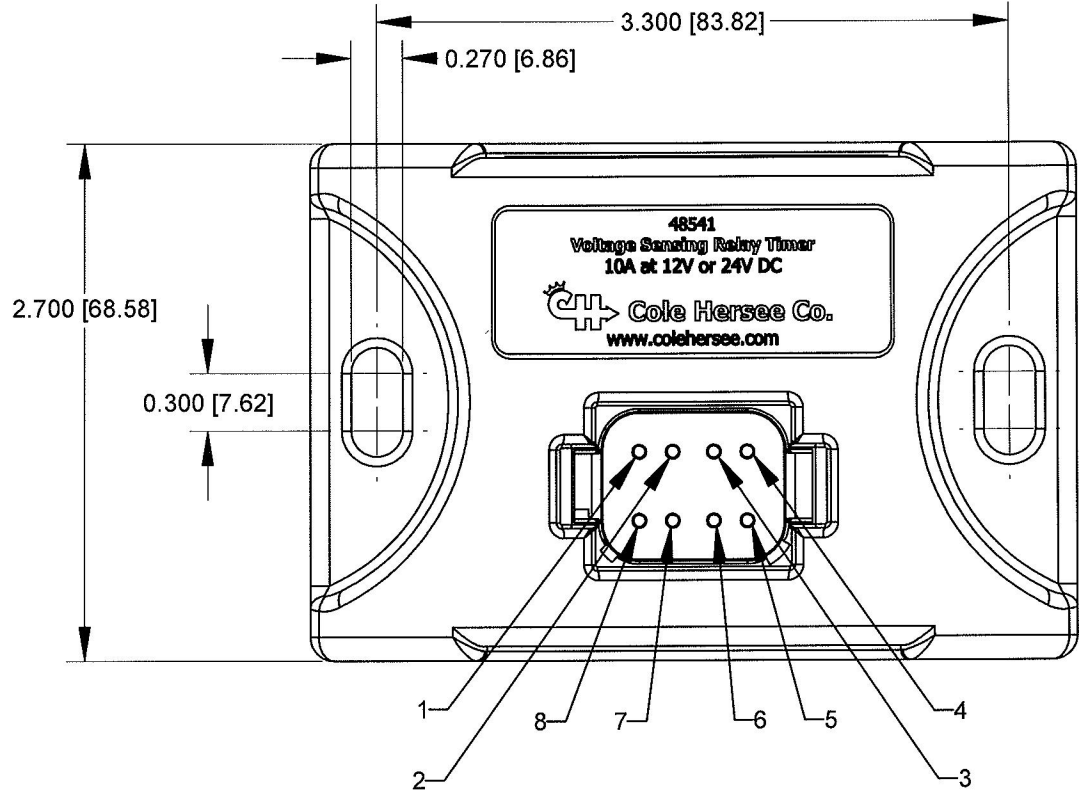


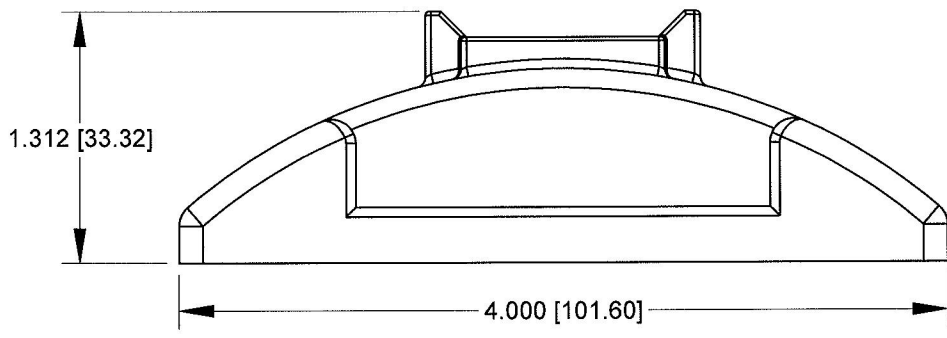
4 3 2 1



B



A



NOTES:

1. ALL DIMENSIONS ARE REFERENCE ONLY
2. SPECIFICATIONS:  
 OPERATING VOLTAGE: 9-32VDC  
 CURRENT RATING: COIL+ 10A AT 85°C  
 STATUS 0.2A AT 85°C  
 QUIESCENT CURRENT 2 mA MAX  
 OPERATING TEMPERATURE: -40°C TO 85°C  
 OVERCURRENT THRESHOLD: 12 - 17A (COIL+ ONLY)
3. CONNECTOR PINOUT:  
 PIN1: KEYED IGNITION SOURCE  
 PIN2: GROUND (BATTERY-)  
 PIN3: COIL+/LOAD+  
 PIN4: BATTERY+  
 PIN5: UNUSED  
 PIN6: STATUS  
 PIN7: REDUNDANT GROUND (BATTERY-)  
 PIN8: REDUNDANT GROUND (BATTERY-)
4. MATING CONNECTOR: DEUTSCH P/N DT06-08S
5. MATING PINS: DEUTSCH P/N 0462-201-16141
6. UNUSED PINS SHOULD BE SEALED WITH BLANKING PIN- DEUTSCH P/N: 114017
7. ONLY ONE GROUND (BATTERY -) CONNECTION IS REQUIRED FOR PROPER OPERATION. ALL OTHER GROUNDS ARE REDUNDANT
8. SEALED TO IP67 (PROVIDED BLANKING PINS USED)

A

B

A

A

Revision Control Record				Rev.	Description of Change	ECN No.	Date
Rev.	Description of Change	ECN No.	Date				
A	RELEASED DRAWING	09529	11/04/09				
B	ADDED VIEW & DIM	11111	4/20/11				

**Tolerances** Unless otherwise specifically noted, the following are default tolerances;  
**2-places**    **3-places**    **Angular**  
 +/- 0.02"    +/- 0.005"    +/- 1'  
 Metric: Shown in [ ] refers to equivalent English Dim Tol  
 "REF." or an Asterisk (\*) = Non-Toleranced Reference Dimension, shown for clarification purposes only.  
 NOTE: All tolerances are Non-Cumulative.

**PROPRIETARY INFORMATION** This Engineering Drawing, and the information contained herein, is proprietary to Cole Hersee Company and may not be disclosed, re-produced, or in any other way transferred or communicated to any other party without the express written consent of an authorized representative of Cole Hersee Company.

**Special Characteristics:**  
 Critical Characteristic, relating to Safety and/or Regulatory Compliance  
 Significant Characteristic relating to Process Control  
 Control Dimension relating to Form - Fit - Function as defined by Cole Hersee Company and/or the Customer

**Cole Hersee Co.**  
 20 Old Colony Ave., South Boston, MA, 02127  
 Phn: 617-268-2100 Web: www.colehersee.com

**Description: VOLTAGE SENSING RELAY TIMER**

Drawing / Part No.: **48541**      Current Rev.: **B**

FORM CHT-6 (2/07)

Used On or Ref.: **EX28647**

Scale: 1:1

Drawn By: **CN**

Date Drawn: **09/14/09**

Pg. 1 of 2

4 3 2 1

4

3

2

1

B

B

A

A

48541-01	15	12.1	24.2	60	12805
48541	15	12.1	24.2	60	None
COLE HERSEE PART NUMBER	Key Off Timer (minutes)	12V System Disconnect Threshold (Volts)	24V System Disconnect Threshold (Volts)	Disconnect Alarm Period (seconds)	Kit

**Revision Control Record**

Rev.	Description of Change	ECN No.	Date

**SEE PAGE 1**

**Tolerances** Unless otherwise specifically noted, the following are default tolerances:  
**2-places**    **3-places**    **Angular**  
 +/- 0.02"    +/- 0.005"    +/- 1'  
 Metric: Shown in [ ] refers to equivalent English Dim Tol  
 "REF." or an Asterisk (\*) = Non-Toleranced Reference Dimension, shown for clarification purposes only.  
 NOTE: All tolerances are Non-Cumulative.

**PROPRIETARY INFORMATION** This Engineering Drawing, and the information contained herein, is proprietary to Cole Hersee Company and may not be disclosed, re-produced, or in any other way transferred or communicated to any other party without the express written consent of an authorized representative of Cole Hersee Company.

**Special Characteristics:**  
 Critical Characteristic, relating to Safety and/or Regulatory Compliance  
 Significant Characteristic relating to Process Control  
 Control Dimension relating to Form - Fit - Function as defined by Cole Hersee Company and/or the Customer

**Cole Hersee Co.**  
 20 Old Colony Ave., South Boston, MA, 02127  
 Phn: 617-268-2100 Web: www.colehersee.com

**Description:** **VOLTAGE SENSING RELAY TIMER**

**Drawing / Part No.:** **48541**      **Current Rev.:** **B**

FORM CHT-6 (2/07)

Used On or Ref.: **EX28647**

Scale: 1:1

Drawn By: **CN**

Date Drawn: **09/14/09**

**Pg. 2 of 2**

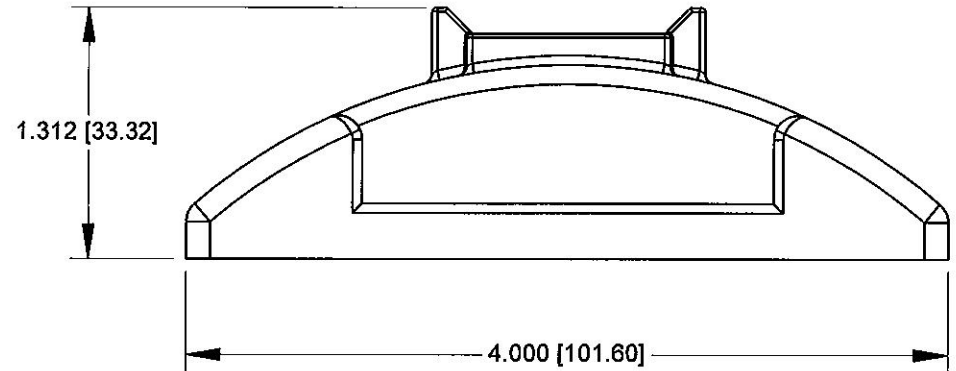
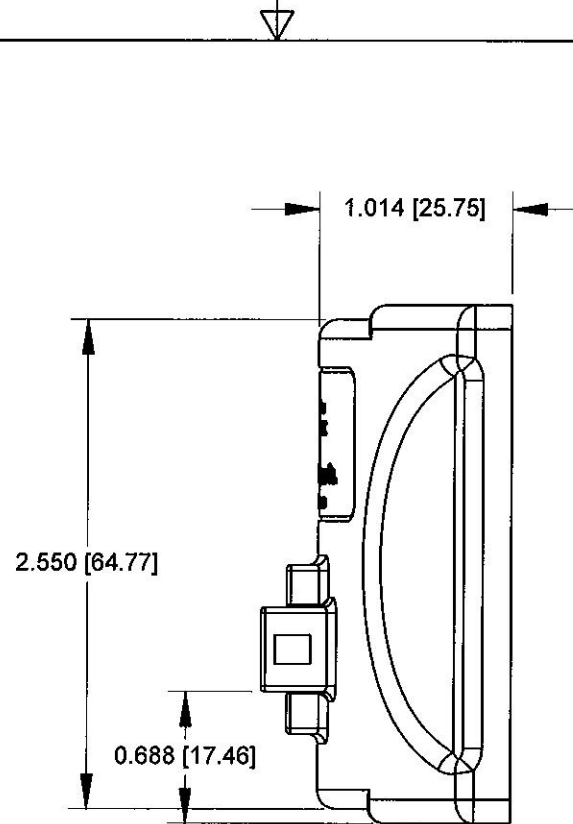
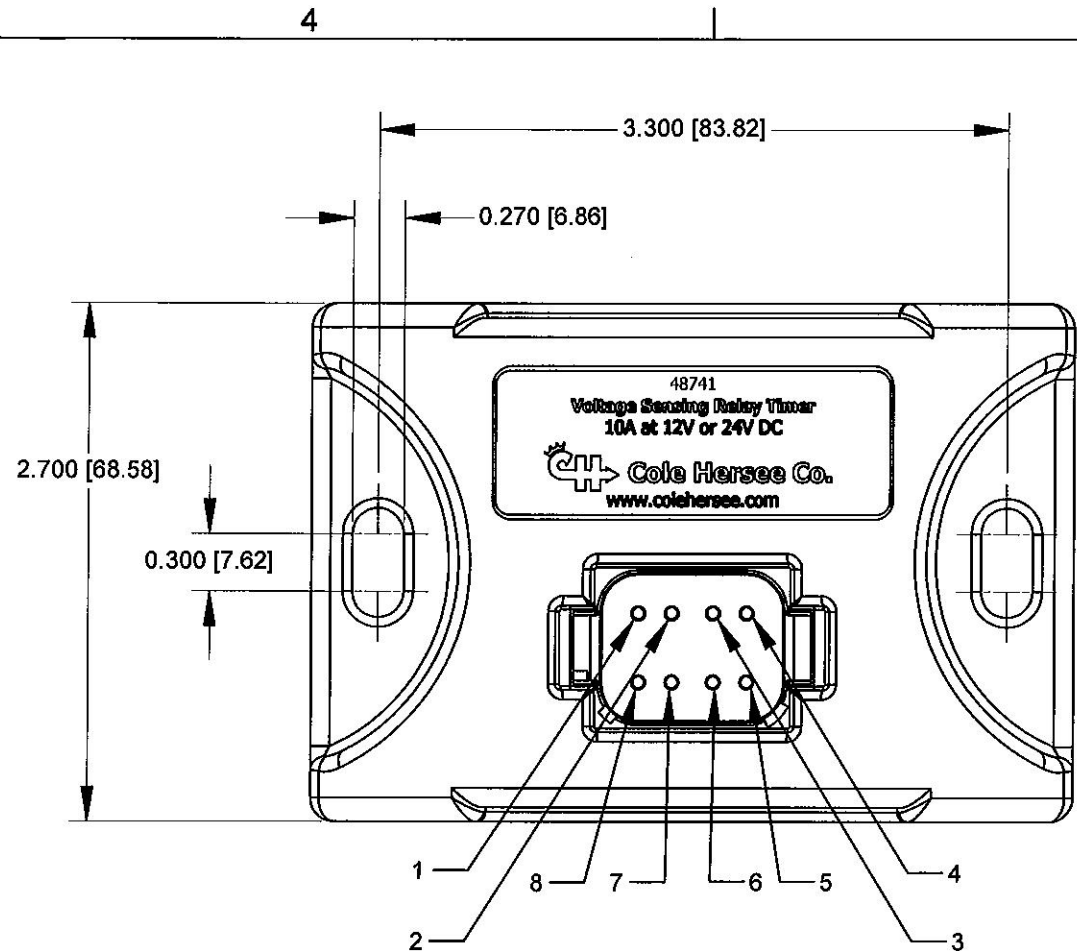
4

3

2

1





NOTES:

1. ALL DIMENSIONS ARE REFERENCE ONLY
2. SPECIFICATIONS:  
 OPERATING VOLTAGE: 9-32VDC  
 CURRENT RATING: COIL+ 10A AT 85°C  
 STATUS 0.2A AT 85°C  
 QUIESCENT CURRENT 2 mA MAX  
 OPERATING TEMPERATURE: -40°C TO 85°C  
 OVERCURRENT THRESHOLD: 12 - 17A (COIL+ ONLY)
3. CONNECTOR PINOUT:  
 PIN1: KEYED IGNITION SOURCE  
 PIN2: GROUND (BATTERY-)  
 PIN3: COIL+/LOAD+  
 PIN4: BATTERY+  
 PIN5: UNUSED  
 PIN6: STATUS  
 PIN7: REDUNDANT GROUND (BATTERY-)  
 PIN8: REDUNDANT GROUND (BATTERY-)
4. MATING CONNECTOR: DEUTSCH P/N DT06-08S
5. MATING PINS: DEUTSCH P/N 0462-201-16141
6. UNUSED PINS SHOULD BE SEALED WITH BLANKING PIN- DEUTSCH P/N: 114017
7. ONLY ONE GROUND (BATTERY -) CONNECTION IS REQUIRED FOR PROPER OPERATION. ALL OTHER GROUNDS ARE REDUNDANT
8. SEALED TO IP67 (PROVIDED BLANKING PINS USED)

48741-01	15	12.1	24.2	60	12805
48741	15	12.1	24.2	60	NONE
PART NUMBER	Key Off Timer (minutes)	12V System Disconnect Threshold	24V System Disconnect Threshold	Disconnect Alarm Period (seconds)	KIT

<b>Revision Control Record</b>				Tolerances Unless otherwise specifically noted, the following are default tolerances: <b>2-places +/- 0.02"</b> <b>3-places +/- 0.005"</b> <b>Angular +/- 1°</b> Metric: Shown in [ ] refers to equivalent English Dim Tol "REF." or an Asterisk (*) = Non-Toleranced Reference Dimension, shown for clarification purposes only. NOTE: All tolerances are Non-Cumulative.	<b>PROPRIETARY INFORMATION</b> This Engineering Drawing, and the information contained herein, is proprietary to Cole Hersee Company and may not be disclosed, re-produced, or in any other way transferred or communicated to any other party without the express written consent of an authorized representative of Cole Hersee Company.	<b>Special Characteristics:</b> <input checked="" type="checkbox"/> Critical Characteristic, relating to Safety and/or Regulatory Compliance <input checked="" type="checkbox"/> Significant Characteristic relating to Process Control <input checked="" type="checkbox"/> Control Dimension relating to Form - Fit - Function as defined by Cole Hersee Company and/or the Customer	 <b>Cole Hersee Co.</b> 20 Old Colony Ave., South Boston, MA, 02127 Phn: 617-268-2100 Web: www.colehersee.com	<b>Description:</b> <b>VOLTAGE SENSING RELAY TIMER</b>	<b>Drawing / Part No.:</b> <b>48741</b>	<b>Current Rev.:</b> <b>A</b>
Rev.	Description of Change	ECN No.	Date							

4

3

2

1

4

3

2

1

## X-ON Electronics

Largest Supplier of Electrical and Electronic Components

*Click to view similar products for [Fuse Holder](#) category:*

*Click to view products by [Littelfuse](#) manufacturer:*

Other Similar products are found below :

[570-290-741P40](#) [570-290-751P40](#) [020417G](#) [020418E](#) [6R30A1B](#) [F600A3B](#) [80910030](#) [8601.2020](#) [G15A2SPQ](#) [9-3557-GP REV A](#) [HDJ-B](#)  
[R6J30A3S](#) [HFH-1](#) [RF30A2B](#) [RF30A3SP](#) [15600-08-10](#) [BK/FHN19G](#) [BK/HHM](#) [BK/HKP-CCHH](#) [BK/HKP-JJ](#) [BK/HTJ-LES-FUSE](#) [HMG-](#)  
[241](#) [HTJ-LES-FUSE](#) [C4044-1](#) [2086-1](#) [2193](#) [2602](#) [2650](#) [178.000100](#) [FHN31G1](#) [T30A2B](#) [G4PB8](#) [2660](#) [2799](#) [CQ-209V](#) [HKP-CCHH](#)  
[R6F30A2S](#) [341001A](#) [345621A](#) [CVRMCC](#) [4202](#) [4407](#) [4408](#) [4413](#) [4423](#) [4532](#) [4537](#) [TSD1404-12](#) [BK/FHN31G1](#) [BK/HC-5](#)