

520 Series Metric OMNI-BLOK® Molded Base Fuse Block for 5x20mm Fuses



Product Characteristics

Compatible Fuse Sizes	5x20mm Fuses
Description	The metric Omni-Blok® fuse block, for 5x20mm size fuses, is a low profile design that is available with a choice of solder type terminals, NEMA style QC terminals, or PC board mountable terminals. Each of these designs has tin plated brass terminals. A unique design feature provides self-alignment of the clips to the fuse caps. This feature, plus a one-piece clip/terminal design, assures low contact resistance. An anti-one-piece clip/terminal design, assures low contact resistance. An anti rotation feature is also available on the solder and QC terminal designs.
Electrical	UL/CSA: 10A, 600V VDE: 6.3A, 250V
Dielectric Strength	1500V., Minimum
Clip/Terminals	Tin-Plated Brass
Base	Glass reinforced Thermoplastic. UL 94V0 flammability rating. Gray color (GY) for anti-rotational series, black color for all others.
Ambient Temperature	-40°C to +85°C

Agency Approval

Agency	Agency File Number
	E14721
	7316
	97121

Additional Information



Datasheet



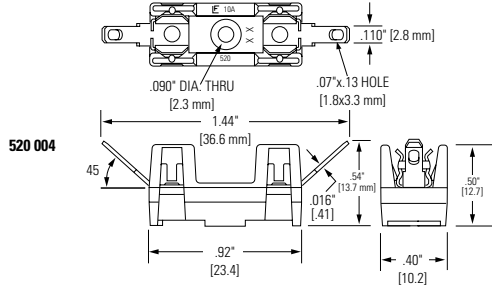
Resources



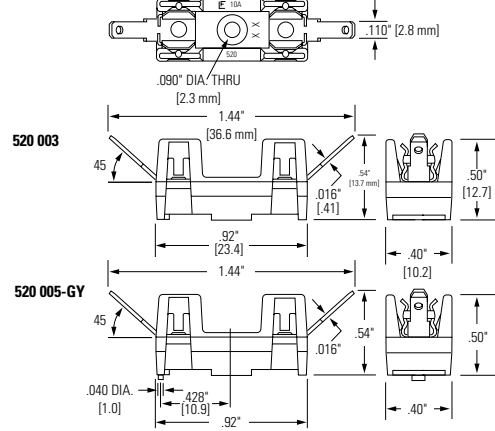
Samples

Product Dimensions [mm]

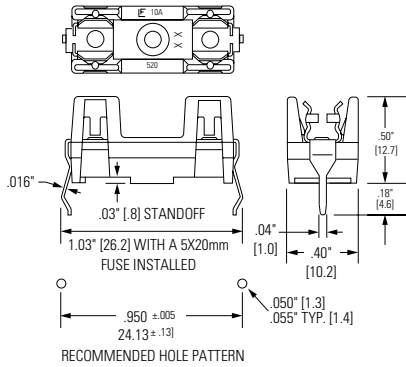
Solder Terminals Type (520 004):



Q.C. Terminals Type (520 003 and 520 005-GY):



PC Board Mount Type (520 101):



Ordering Information

Ordering PN	Part Number	Clip/Terminal Material	Anti-Rotation Boss	Packing
Solder Terminals Type				
05200004Z	520 004	Brass	No	Bulk starting at 1 piece
Q.C. Terminals (NEMA Style .110") Type				
05200003Z	520 003	Brass	No	Bulk starting at 1 piece
05200005 ZXGY	520 005 GY	Brass	Yes	Bulk starting at 1 piece
PC Board Mount Type				
05200101Z	520 101	Brass	No	Bulk starting at 1 piece

X-ON Electronics

Largest Supplier of Electrical and Electronic Components

Click to view similar products for [Fuse Holder](#) category:

Click to view products by [Littelfuse](#) manufacturer:

Other Similar products are found below :

[570-290-741P40](#) [570-290-751P40](#) [020417G](#) [020418E](#) [6R30A1B](#) [F600A3B](#) [80910030](#) [8601.2020](#) [G15A2SPQ](#) [9-3557-GP REV A](#) [HDJ-B](#)
[R6J30A3S](#) [HFH-1](#) [RF30A2B](#) [RF30A3SP](#) [15600-08-10](#) [BK/FHN19G](#) [BK/HHM](#) [BK/HKP-CCHH](#) [BK/HKP-JJ](#) [BK/HTJ-LES-FUSE](#) [HMG-](#)
[241](#) [HTJ-LES-FUSE](#) [C4044-1](#) [2086-1](#) [2193](#) [2602](#) [2650](#) [178.000100](#) [FHN31G1](#) [T30A2B](#) [G4PB8](#) [2660](#) [2799](#) [CQ-209V](#) [HKP-CCHH](#)
[R6F30A2S](#) [341001A](#) [345621A](#) [CVRMCC](#) [4202](#) [4407](#) [4408](#) [4413](#) [4423](#) [4532](#) [4537](#) [TSD1404-12](#) [BK/FHN31G1](#) [BK/HC-5](#)