

## 08010300 DUAL POLE BATTERY DISCONNECT SWITCHES

250A • DPST • IP65 • M10 Studs



### Description

Dual Pole Manual Battery Disconnect Switch features model with a removable handle with chain so it never gets lost or a model with a fixed handle with integrated Lock-Out Tag-Out for applications where required. The handle has a rubber gasket at the base to ensure proper sealing and some with three colors for quick identification.

### Features/Benefits

- 250A continuous current rating
- Equipped with red, yellow and black rubber caps to mark differentiate between function or application
- Waterproof and dustproof to IP65
- Removable handle model keeps the actuator nearby with an attached chain to prevent loss during servicing
- Fixed handle model includes integrated Lock-Out Tag-Out
- 08010100 is cross-references to BOSCH 1342026002 and it is compatible with the locking bracket LS 11003

### Specifications

<b>Max Operating Voltage:</b>	24V DC
<b>Max Continuous Current:</b>	250A
<b>Intermittent Current:</b>	2500A at 3 sec
<b>Operating Temp:</b>	-40°C to +85°C
<b>Ingress Protection:</b>	IP65
<b>Contacts:</b>	Silver-Plated Copper
<b>Terminals:</b>	M10 (zinc-plated steel)

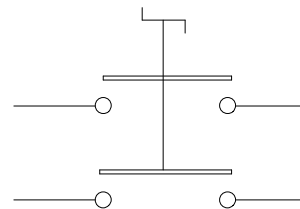
### Applications

- Heavy Truck
- Off-Road
- Emergency Vehicles
- Material Handling
- Mining
- Agricultural
- Marine
- Construction

### Web Resources

Download 2D prints and additional technical resources at: [littelfuse.com/ManualBatterySwitches](http://littelfuse.com/ManualBatterySwitches)

### Electrical Diagram



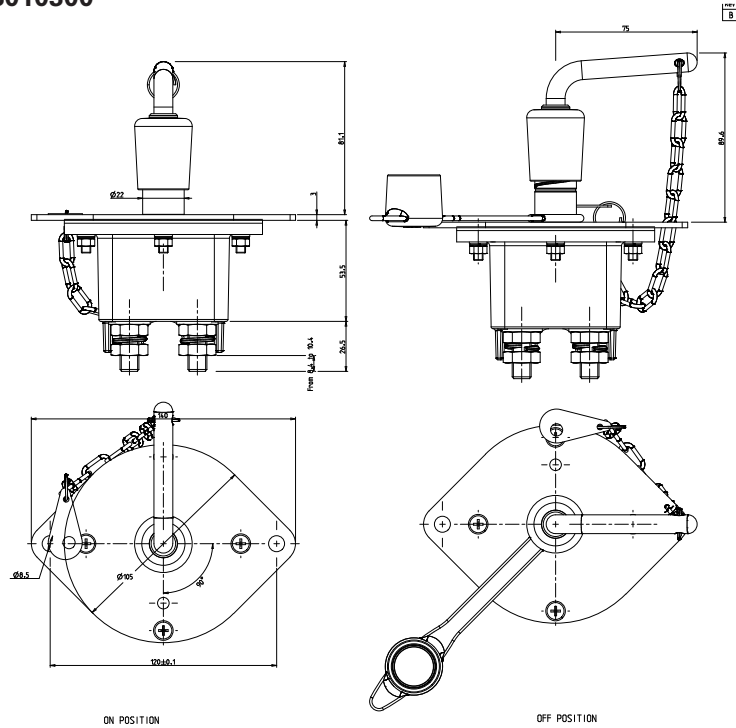
### Ordering Information

PART NUMBERS		VOLTAGE	AMPERAGE	CIRCUITRY	MOUNTING	INGRESS	NOTES
BULK	BOXED						
08010300	08010300-BX	24V DC	250A	DPST	Flange Mount	IP65	Removable Handle w/ Chain Cap to cover when key is removed
08010360	08010360-BX	24V DC	250A	DPST	Flange Mount	IP65	Fixed Handle Integrated Lock-Out Tag-Out

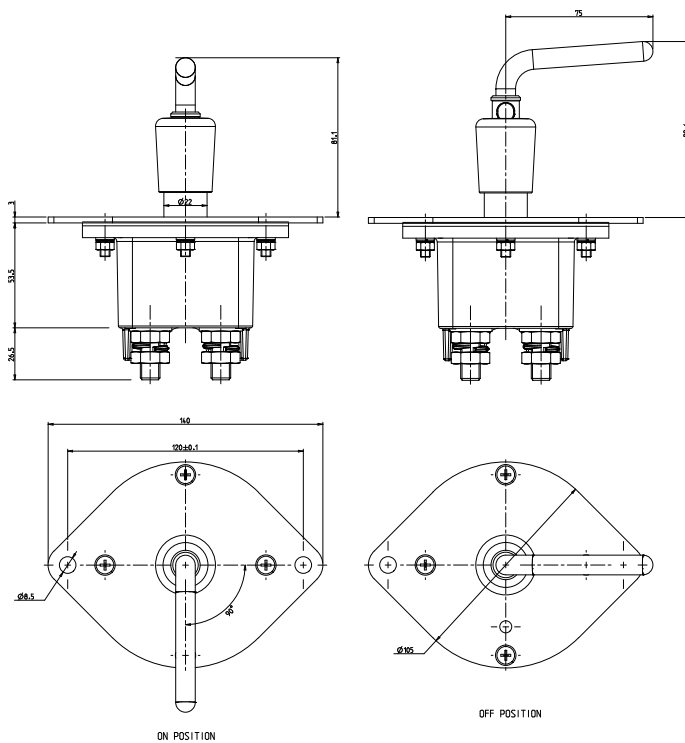
# 08010300 DUAL POLE BATTERY DISCONNECT SWITCHES

## Dimensions in inches (millimeters)

### 08010300



### 08010360



## X-ON Electronics

Largest Supplier of Electrical and Electronic Components

*Click to view similar products for [Control Switches](#) category:*

*Click to view products by [Littelfuse](#) manufacturer:*

Other Similar products are found below :

[80887-99](#) [80932-99](#) [86855-00](#) [88814-30](#) [1424293-1](#) [HW4S-2TC10](#) [89721-12](#) [89804-08](#) [SSN](#) [RL01801](#) [ASD2L20N-LVO](#) [50051857-17](#)  
[50099156-001-05](#) [51.155R-15200](#) [50058920-26](#) [CP-FA51](#) [CP-FA49](#) [ACCU-SC/L-3000](#) [PP9M](#) [PP87G](#) [PP86GA](#) [PP74G](#) [PP73M](#) [PP71G](#)  
[PP70G](#) [PP6G](#) [PP62G](#) [PP58BL](#) [PP56G](#) [PP86GB](#) [PP77GA](#) [PP76G](#) [PP4M](#) [PP47G](#) [PP46G](#) [PP41M](#) [PP40G](#) [PP32G](#) [RD-20](#) [PP23M](#) [PP14M](#)  
[PP12G](#) [RD-40](#) [PORTAPRO](#) [POM-2708](#) [PNB-2005](#) [3057.0012](#) [CV-075](#) [CV-140SB](#) [CV-150](#)