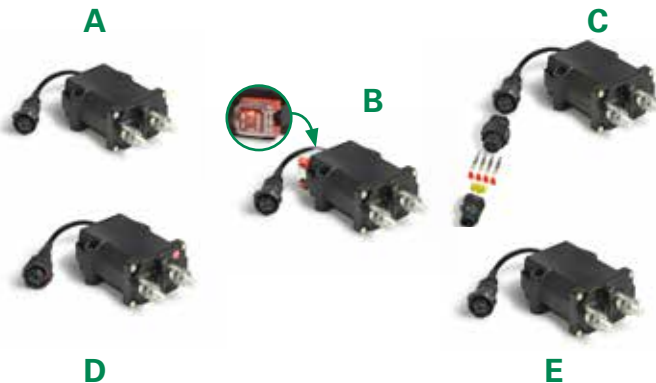


# 08070000 & 08094270 BATTERY DISCONNECT SWITCHES

250A • SPST • IP65/IP67-9K • M10 Studs • Electrical bistable remote control



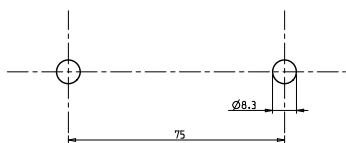
## Description

In shape and design the current isolating switches with mechanical ON-OFF position are very similar to the current isolating switches. But there is one difference: while traditional current isolating switches require a minimum current when they are turned on, models with “mechanical ON-OFF position” absorb current only during the commuting phase or when switched from (OFF) to (ON) and vice versa. Generally referred to as “bistable with zero consumption,” their switches turn to closed or open state of the electric circuit. They are ideally suited for commercial vehicles and trucks, as well as for boats, etc.

## Features/Benefits

- 250A continuous current rating
- Waterproof IP65/IPX7

## Mounting Diagram



## Specifications

<b>Max Operating Voltage:</b>	12V DC 24V DC
<b>Max Continuous Current:</b>	250A
<b>Intermittent Current:</b>	2500A at 3 sec
<b>Operating Temp:</b>	-40 °C to +85 °C
<b>Ingress Protection:</b>	IP65: 08070000- 08070100 - 08070060 08070160 - 08094270 IP67-9K: 08070500 - 08070600 08070700-08070760
<b>Contacts:</b>	Tin-plated Brass or Silver plated copper
<b>Terminals:</b>	M10 (brass or stainless steel)

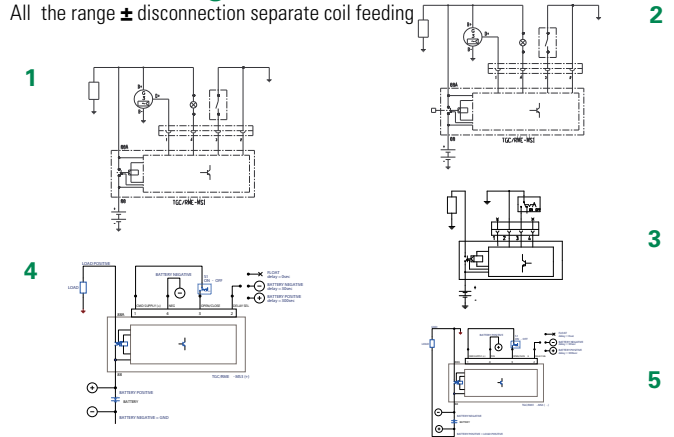
## Applications

- Heavy trucks
- Buses
- Construction
- Commercial vehicles
- Agricultural
- Marine

## Web Resources

Download 2D print and technical resources at:  
[littelfuse.com/ManualBatterySwitches](http://littelfuse.com/ManualBatterySwitches)

## Electrical Diagram



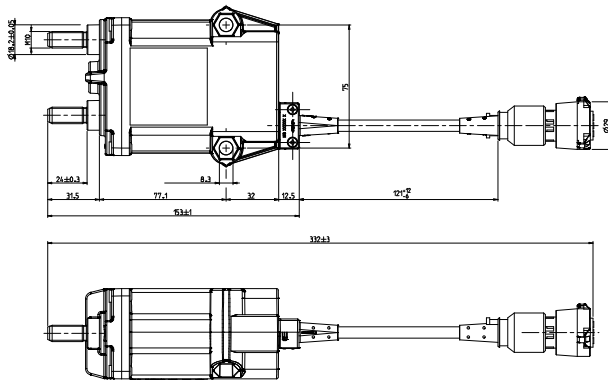
## Ordering Information

PART NUMBER	VOLTAGE	AMPERAGE	CIRCUITRY	MOUNTING	INGRESS	TERMINAL NUTS	IMAGE	DIAGRAM	NOTES
08070000	24V DC	250A	SPST	Bolt-Down	IP65	M10 Tin-plated brass	A	1	
08070060	24V DC	250A	SPST	Bolt-Down	IP65	M10 Tin-plated brass	B	2	command switch
08070100	12V DC	250A	SPST	Bolt-Down	IP65	M10 Tin-plated brass	A	1	
08070160	12V DC	250A	SPST	Bolt-Down	IP65	M10 Tin-plated brass	B	2	command switch
08094270	24V DC	250A	SPST	Bolt-Down	IP65	M10 Tin-plated brass	C	3	male connector
08070500	12-24V DC	250A	SPST	Bolt-Down	IP67-9K	M10 Silver-plated copper	D	4	positive disconnection
08070600	12-24V DC	250A	SPST	Bolt-Down	IP67-9K	M10 Silver-plated copper	D	5	negative disconnection
08070700	12-24V DC	250A	SPST	Bolt-Down	IP67-9K	M10 Silver-plated copper	E		prog. cut-off voltage
08070760	12-24V DC	250A	SPST	Bolt-Down	IP67-9K	M10 Silver-plated copper	E		prog. cut-off voltage kit

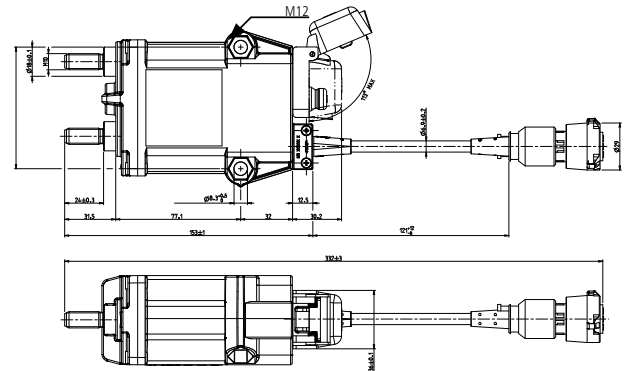
# 08070000 & 08094270 BATTERY DISCONNECT SWITCHES

## Dimensions in millimeters

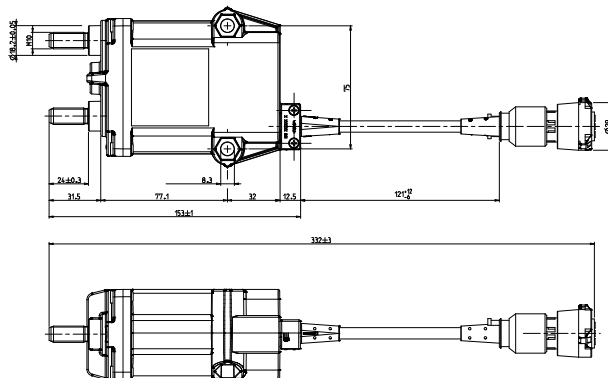
### 08070000 - 08070100 - 08094270



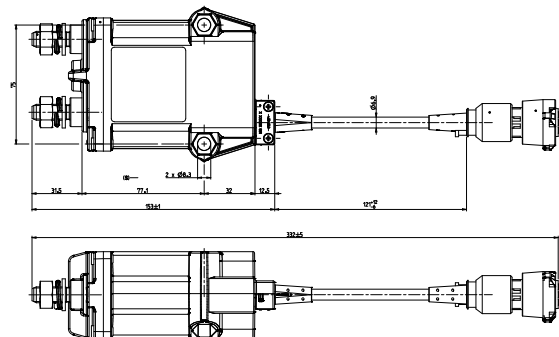
### 08070060 - 08070160



### 08070500 - 08070600



### 08070700 - 08070760



Visit [Littelfuse.com](http://Littelfuse.com) for the most up-to-date product information. Littelfuse reserves the right to make product changes, without notice. Material in this document is as accurate as known at the time of publication.

## X-ON Electronics

Largest Supplier of Electrical and Electronic Components

*Click to view similar products for [Control Switches](#) category:*

*Click to view products by [Littelfuse](#) manufacturer:*

Other Similar products are found below :

[80887-99](#) [80932-99](#) [86855-00](#) [88814-30](#) [1424293-1](#) [HW4S-2TC10](#) [89721-12](#) [89804-08](#) [SSN](#) [RL01801](#) [ASD2L20N-LVO](#) [50051857-17](#)  
[50099156-001-05](#) [51.155R-15200](#) [50058920-26](#) [CP-FA51](#) [CP-FA49](#) [ACCU-SC/L-3000](#) [PP9M](#) [PP87G](#) [PP86GA](#) [PP74G](#) [PP73M](#) [PP71G](#)  
[PP70G](#) [PP6G](#) [PP62G](#) [PP58BL](#) [PP56G](#) [PP86GB](#) [PP77GA](#) [PP76G](#) [PP4M](#) [PP47G](#) [PP46G](#) [PP41M](#) [PP40G](#) [PP32G](#) [RD-20](#) [PP23M](#) [PP14M](#)  
[PP12G](#) [RD-40](#) [PORTAPRO](#) [POM-2708](#) [PNB-2005](#) [3057.0012](#) [CV-075](#) [CV-140SB](#) [CV-150](#)