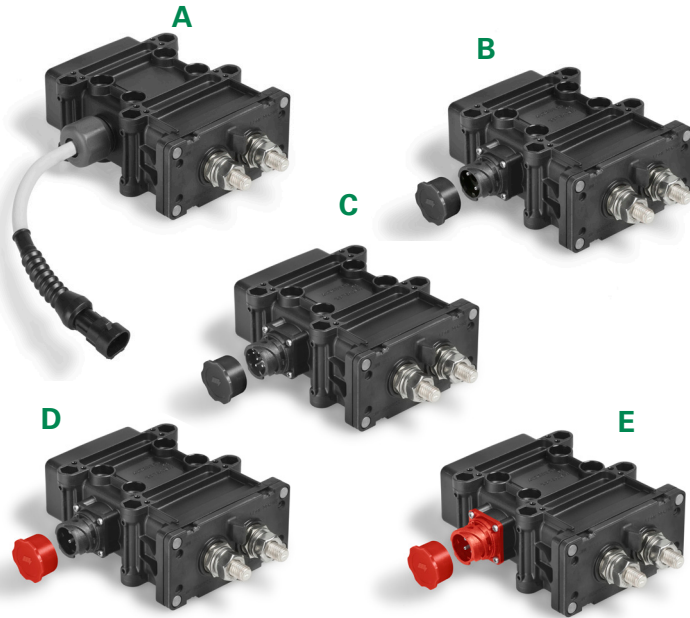


08075062 & 08075200 BATTERY DISCONNECT SWITCHES

250A-500A • SPST • IP67-9K • M10 Studs • Bistable/Magnetic Current Isolating Switches



Specifications

Max Operating Voltage:	12V/24V DC: 08075062-08075063 08075064-08175160-08175161 08175162-08075163-08075164 24V DC: 08075100-08075200
Max Continuous Current:	250A 08075062-08075063 08075064-08175161-08175162 08075163-08075100-08075200 500A 08075160-08075164
Intermittent Current:	2000A at 5 sec
Operating Temp:	-40 °C to +85 °C
Ingress Protection:	IP67-9K
Contacts:	Silver-plated Copper
Terminals:	M10 (Nickel-plated brass)

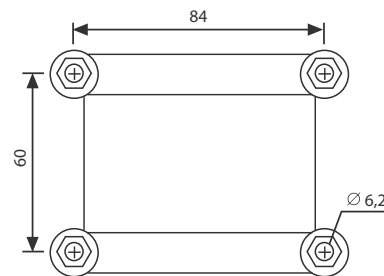
Applications

- Heavy trucks
- Buses
- Construction
- Commercial vehicles
- Agricultural
- Marine

Web Resources

Download technical resources at:
littelfuse.com/ElectricalBatteryDisconnectSwitches

Mounting Diagram



Description

In shape and design the bistable/magnetic current isolating switches ON-OFF position is different to traditional current isolating switches. They use a minimum current when they are turned on, models with “magnetic ON-OFF position” absorb current only during the commuting phase or when switched from (OFF) to (ON) and vice versa. Generally referred to as “bistable with zero consumption”, their switches turn to closed or open state of the electric circuit.

In this range we have the version with positive and negative disconnection, positive or negative disconnection (watchdog), ADR (Dangerous road materials) version and only positive version.

Features/Benefits

- 250A-500A continuous current rating
- Waterproof IP67/9K

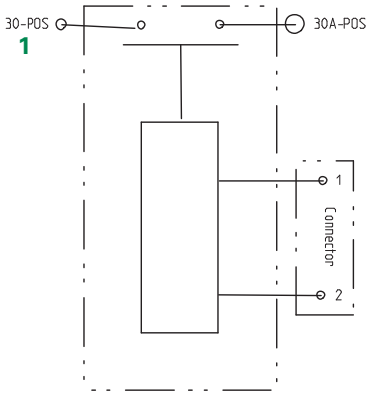
Ordering Information

PART NUMBER	VOLTAGE	POLE	AMPERAGE	CIRCUITRY	MOUNTING	INGRESS	TERMINAL NUTS	IMAGE	DIAGRAM	NOTES
08075062	12V-24V DC	(+/-)	250A	SPST	Bolt-Down	IP67-9K	M10 Silver-plated copper	B	1	DIN connector (4 way) 2 pins
08075063	12V-24V DC	(+/-)	250A	SPST	Bolt-Down	IP67-9K	M10 Silver-plated copper	A	1	Superseal 2 way
08075064	12V-24V DC	(+)	250A	SPST	Bolt-Down	IP67-9K	M10 Silver-plated copper	B	2	DIN connector (4 way) 3 pins
08075100	24V DC	(+)	250A	SPST	Bolt-Down	IP67-9K	M10 Silver-plated copper	E	6	DIN conn. 4 way-time-relay 3'
08075160	12V-24V DC	(+)	500A	SPST	Bolt-Down	IP67-9K	M10 Silver-plated copper	D	6	DIN conn. 4 way-time-relay 6'
08075161	12V-24V DC	(+/-)	250A	SPST	Bolt-Down	IP67-9K	M10 Silver-plated copper	C	3 / 4	DIN conn. (7 way) 6 pins Time 30s, 60s, 180s, 360s
08075162	24V DC	(+)	250A	SPST	Bolt-Down	IP67-9K	M10 Silver-plated copper	B	6	Kit of 08075100
08075163	12V-24V DC	(+/-)	250A	SPST	Bolt-Down	IP67-9K	M10 Silver-plated copper	D	3 / 4	Kit of 08075161 (Watchdog) Time 30s, 60s, 180s, 360s
08075164	12V-24V DC	(+)	500A	SPST	Bolt-Down	IP67-9K	M10 Silver-plated copper	B	2	DIN connector (4 way) 3 pins
08075200	12V-24V DC	(+)	250A	SPST	Bolt-Down	IP67-9K	M10 Silver-plated copper	E	5	ADR version

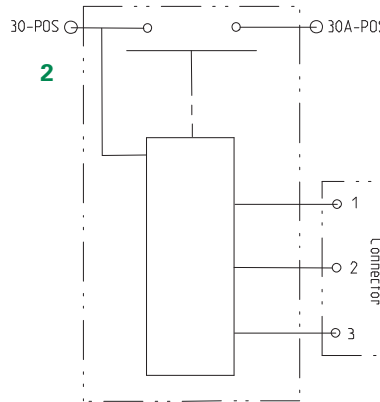
08075062 & 08075200 BATTERY DISCONNECT SWITCHES

Electrical Diagram

All the range ± disconnection separate coil feeding



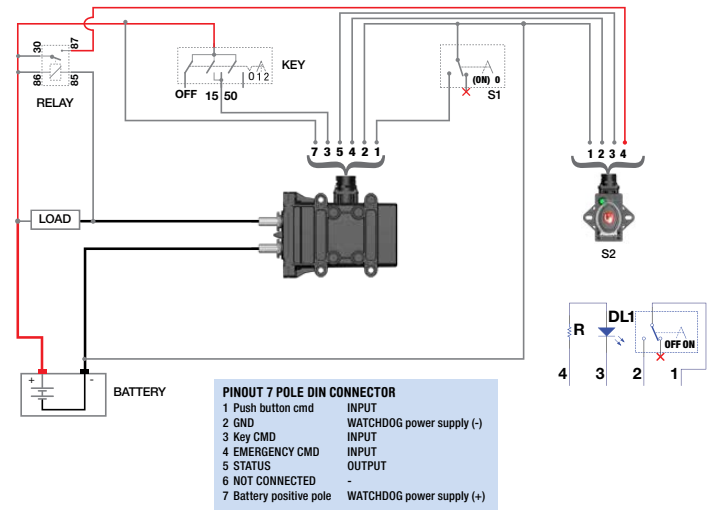
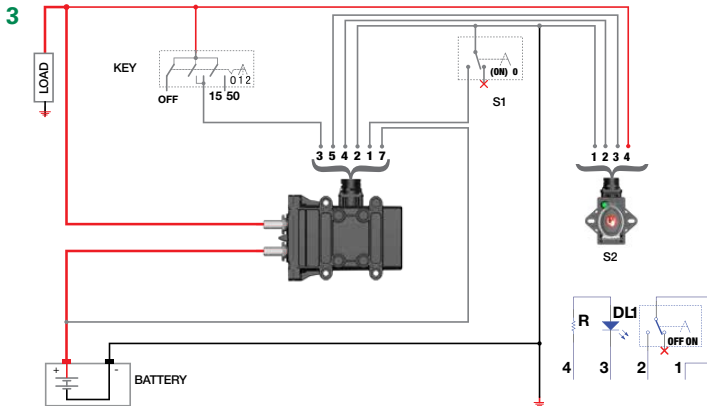
Pin Connector	Polarity Power max 1 sec.	Main Contact
1	+	ON
2	-	
Pin Connector	Polarity Power max 1 sec.	Main Contact
1	-	OFF
2	+	



Pin Connector	Negativ GND	Main Contact
1	GND	ON
2	floating	
3	GND	
Pin Connector	Negativ GND	Main Contact
1	floating	OFF
2	GND	
3	GND	

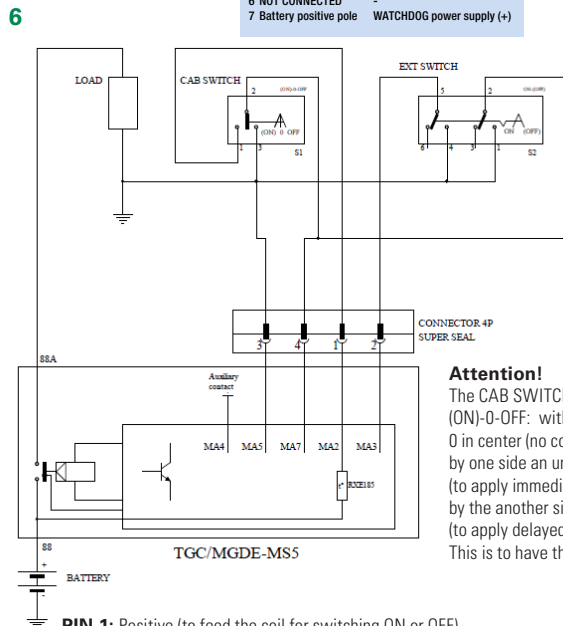
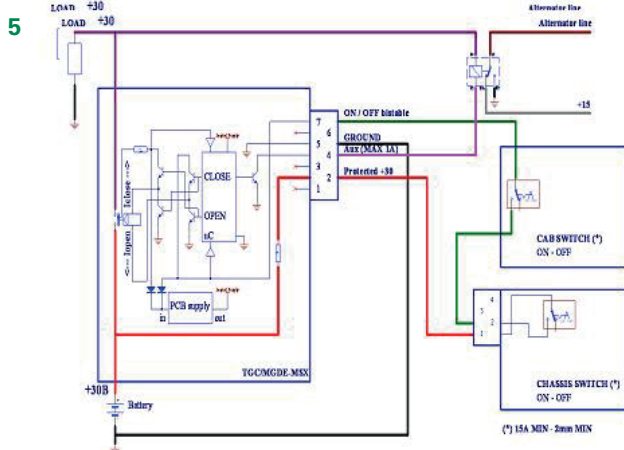
4 5.2 OPERATING MODE: BATTERY NEGATIVE POLE DISCONNECTION

5.1 OPERATING MODE: BATTERY POSITIVE POLE DISCONNECTION



PINOUT 7 POLE DIN CONNECTOR

1	Push button cmd	INPUT
2	GND	WATCHDOG power supply (-)
3	Key CMD	INPUT
4	EMERGENCY CMD	INPUT
5	STATUS	OUTPUT
6	NOT CONNECTED	-
7	Battery positive pole	WATCHDOG power supply (+)



Attention!
The CAB SWITCH must be of the type (ON)-0-OFF: with 0 in center (no connection) by one side an unstable position (to apply immediate ON) by the another side a stable position (to apply delayed OFF). This is to have the proper delayed opening.

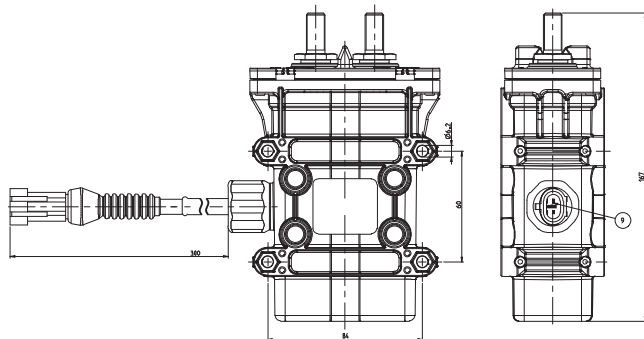
Function Table	INPUT		OUTPUT	
	CAB switch	CHASSIS switch	Aux (open drain)	MAIN CONTACT
1	ON	ON	OFF	CLOSED
2	ON	ON=>OFF	Temporary ON	Closed=> Open
3	ON	OFF	OFF	Open
4	ON=>OFF	ON	Temporary ON	Closed=> Open
5	OFF	ON	OFF	Open
6	OFF	OFF	OFF	Open

- PIN 1:** Positive (to feed the coil for switching ON or OFF)
- PIN 2:** Emergency switch-off signal (feeding this PIN you have an immediate switching off of the relay)
- PIN 3:** Ground (to feed the coil for switching ON or OFF)
- PIN 4:** Signal to switch OFF or to switch ON (when on this PIN there is a signal that the relay will change its status)

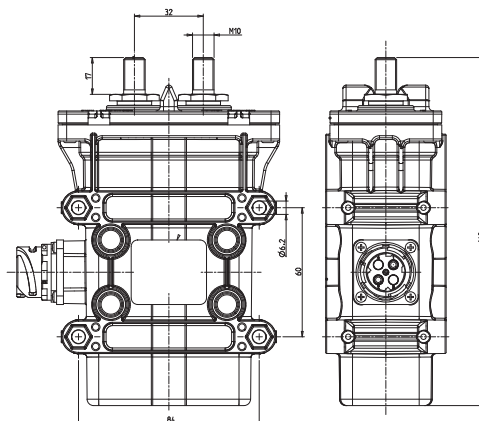
08075062 & 08075200 BATTERY DISCONNECT SWITCHES

Dimensions in millimeters

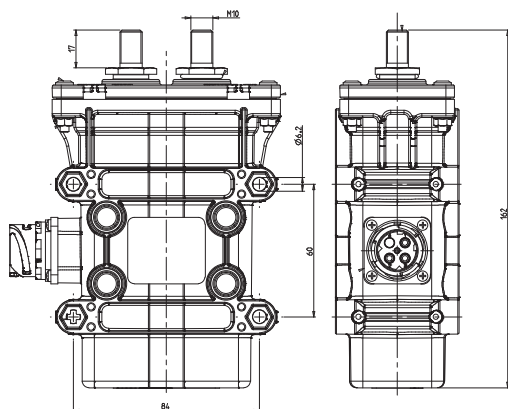
08075063



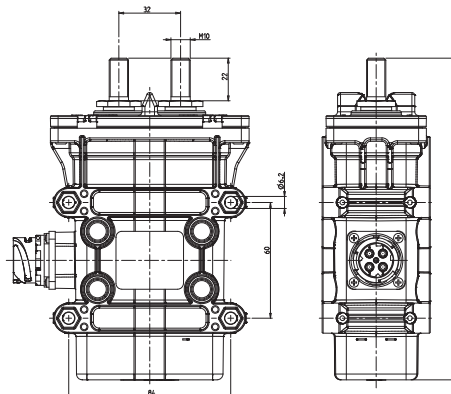
08075062



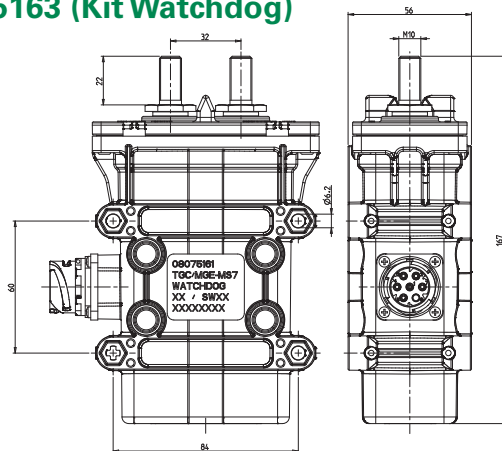
08075064



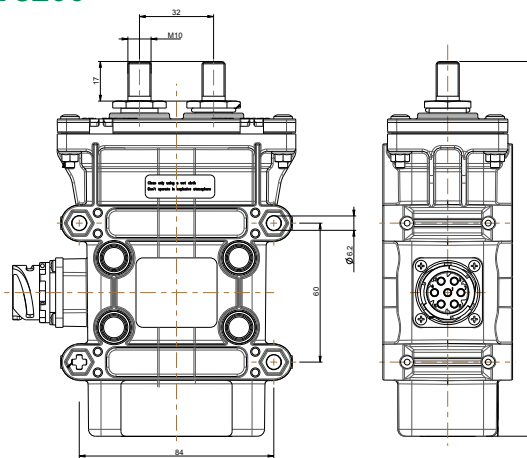
08075100 - 08075160 - 08075162 (Kit)



08075161 (Watchdog)
08075163 (Kit Watchdog)



08075200



Visit Littelfuse.com for the most up-to-date product information. Littelfuse reserves the right to make product changes, without notice. Material in this document is as accurate as known at the time of publication.

X-ON Electronics

Largest Supplier of Electrical and Electronic Components

Click to view similar products for [Circuit Protection Kits](#) category:

Click to view products by [Littelfuse](#) manufacturer:

Other Similar products are found below :

[96-501A](#) [STANDARD SAMPLE KIT](#) [4030-02](#) [02800.0-01](#) [MC-600](#) [4879275](#) [4879279](#) [4879315](#) [4879333](#) [4879338](#) [B72499A9999K199](#)
[ORBOX006Z](#) [B57888S0888M888](#) [B72499I9999K199](#) [B72499S9999K199](#) [01610.0-01](#) [B57999V5999J199](#) [STD sample kit](#) [DK-IsoMOV-04](#)
[DK-IsoMOV-02](#) [DK-IsoMOV-03](#) [SF-KIT-AUTO-1](#) [SF-KIT-AUTO-2](#) [SF-KIT-HC-1](#) [SF-KIT-HV-1](#) [SF-KIT-IEC-1](#) [8C4-B-B21](#) [MAI](#)
[X1180-01-XT202-1A](#) [X1180-01-ST201-4A](#) [Kit-GG01](#) [00599362](#) [00680300](#) [0FHZ00854-BX](#) [MITI-7-6-10](#) [MITI-7-10-15](#) [502069705](#)
[01602.0-00](#) [B74999T9999M099](#) [96-500A](#) [ZENER-KIT](#) [A-2130](#) [B57999V2999J199](#) [820999](#) [Mini sample kit](#) [MS sample kit](#)
[KITTVSDIODE1TOBO1](#) [4030-01](#) [CD-LAB10](#) [CD-LAB11](#)