

08080100 & 08080480 BATTERY DISCONNECT SWITCHES

150A • SPST • IP65 • M10 Studs • Push and Key to Off

08080100



08080400
08080480
with chain



08080200



08080300
08080380
with chain

Description

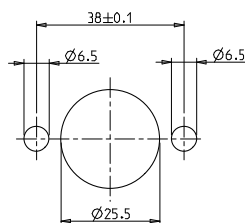
Manual Battery Disconnect Switch features a push button for fast push to off operation in event of an emergency. Rotate knob for ON. Switch status is indicated through a window on the top of the knob.

Manual Battery Disconnect Switch features a key that can be turned counter-clockwise until one "click" is heard for the OFF position. Turn counter-clockwise to the second position to completely remove the key.

Features/Benefits

- 100-150A continuous current rating
- Push to OFF feature for emergency situations
- Highly visible bright red handle
- Status window built-in the top of the knob
- Waterproof and dustproof to IP65 for push-button, IP54 for key versions

Mounting Diagram



Specifications

Max Operating Voltage:	24V DC
Max Continuous Current:	150A
Intermittent Current:	1200A at 5 sec
Operating Temp:	-40 °C to +85 °C
Ingress Protection:	IP65
Contacts:	Silver-plated Copper
Terminals:	M10 (brass nuts)

Applications

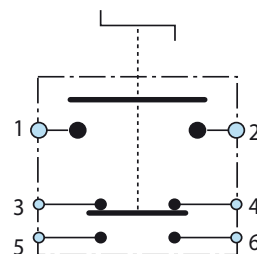
- Racing Cars
- Fork-Lift Trucks
- Transpallets
- Water-Crafts

Web Resources

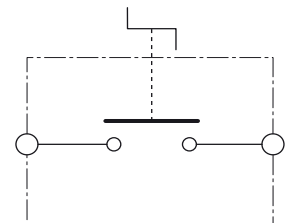
Download 2D print and technical resources at:
littelfuse.com/ManualBatterySwitches

Electrical Diagram

With supplementary contacts



Standard contacts



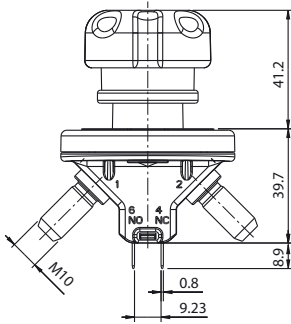
Ordering Information

PART NUMBER	VOLTAGE	AMPERAGE	CIRCUITRY	MOUNTING	INGRESS	TERMINAL NUTS	NOTES
08080100	12-24V DC	150A	SPST	Through-Hole	IP65	M10 Brass	Push to off with supplementary contact
08080200	12-24V DC	150A	SPST	Through-Hole	IP65	M10 Brass	Push to off
08080300	12-24V DC	150A	SPST	Through-Hole	IP65	M10 Brass	Key to off
08080380	12-24V DC	150A	SPST	Through-Hole	IP65	M10 Brass	Key to off with chain
08080400	12-24V DC	150A	SPST	Through-Hole	IP65	M10 Brass	Key to off with supplementary contact
08080480	12-24V DC	150A	SPST	Through-Hole	IP65	M10 Brass	Key to off with supplementary contact and chain

08080100 & 08080480 BATTERY DISCONNECT SWITCHES

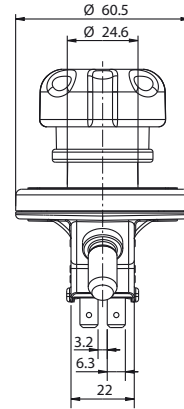
Dimensions in millimeters

PUSH VERSIONS

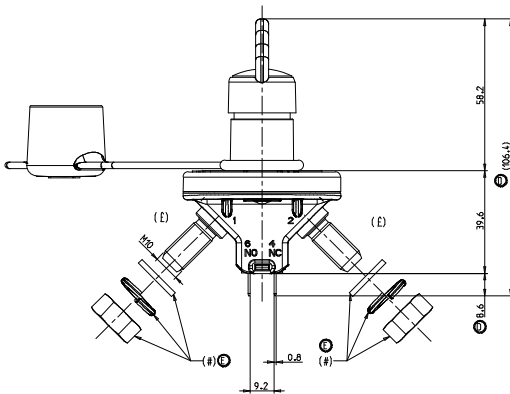


08080100

08080200



KEY VERSIONS

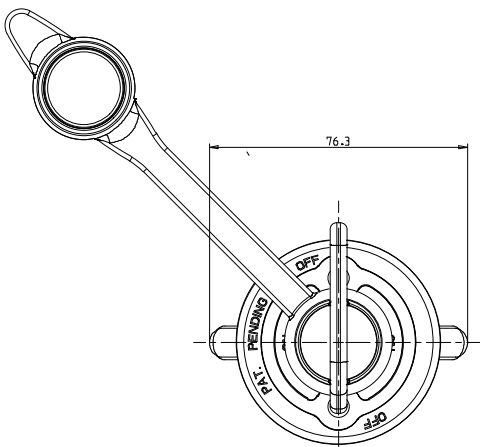
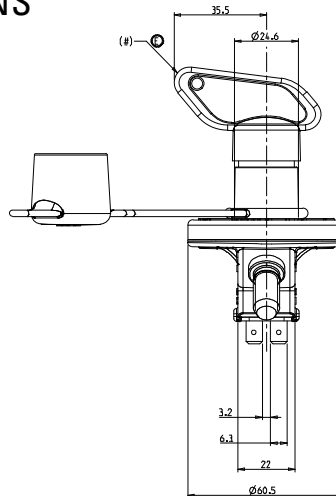


08080300

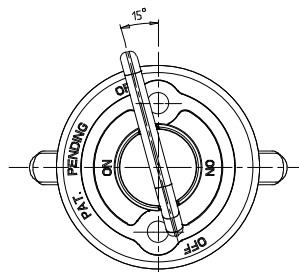
08080380

08080400

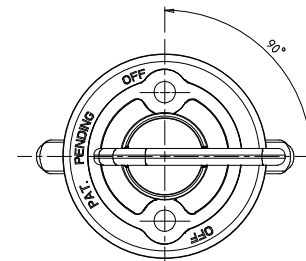
08080480



Close contact



Open contact



Plugging in/Pull Out Key



Visit Littelfuse.com for the most up-to-date product information. Littelfuse reserves the right to make product changes, without notice. Material in this document is as accurate as known at the time of publication.

X-ON Electronics

Largest Supplier of Electrical and Electronic Components

Click to view similar products for [Control Switches](#) category:

Click to view products by [Littelfuse](#) manufacturer:

Other Similar products are found below :

[80887-99](#) [80932-99](#) [86855-00](#) [88814-30](#) [1424293-1](#) [HW4S-2TC10](#) [89721-12](#) [89804-08](#) [SSN](#) [RL01801](#) [ASD2L20N-LVO](#) [50051857-17](#)
[50099156-001-05](#) [51.155R-15200](#) [50058920-26](#) [CP-FA51](#) [CP-FA49](#) [ACCU-SC/L-3000](#) [PP9M](#) [PP87G](#) [PP86GA](#) [PP74G](#) [PP73M](#) [PP71G](#)
[PP70G](#) [PP6G](#) [PP62G](#) [PP58BL](#) [PP56G](#) [PP86GB](#) [PP77GA](#) [PP76G](#) [PP4M](#) [PP47G](#) [PP46G](#) [PP41M](#) [PP40G](#) [PP32G](#) [RD-20](#) [PP23M](#) [PP14M](#)
[PP12G](#) [RD-40](#) [PORTAPRO](#) [POM-2708](#) [PNB-2005](#) [3057.0012](#) [CV-075](#) [CV-140SB](#) [CV-150](#)