

08080700 & 08080900 BATTERY DISCONNECT SWITCHES

300A • SPST • IP54 • M10 Studs

08080700

08080900

08080800



Description

Rotating Battery Switches and Selectors are ideal for vehicle and marine protection. The contacts are protected against accidental short-circuit by a housing with a removable lower cover and pre-cut sides to allow cable exit in the desired position.

Features/Benefits

- 300A continuous current rating
- M10 contacts in silver-plated copper
- Panel mount with 52mm key/handle exit hole.
- Waterproof to IP54

Specifications

Max Operating Voltage:	24V DC
Max Continuous Current:	300A
Intermittent Current:	1000A at 5 sec
Operating Temp:	-40 °C to +50 °C
Ingress Protection:	IP54
Contacts:	Silver-plated Copper
Terminals:	M10 (brass nuts)

Applications

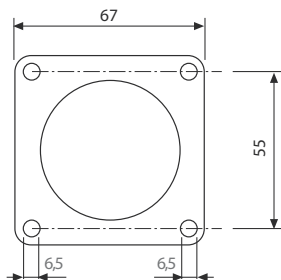
- Marine
- Agricultural
- Off-Road
- Emergency Vehicles

Web Resources

Download 2D print and technical resources at:
littelfuse.com/ManualBatterySwitches

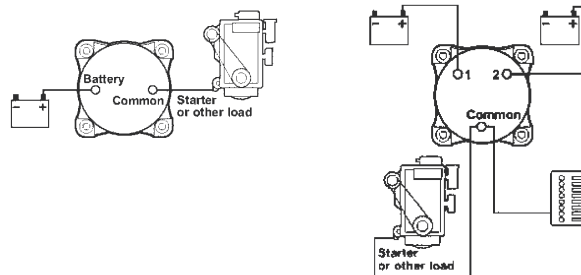
Electrical Diagram

Mounting Diagram



08080700
08080800

08080900

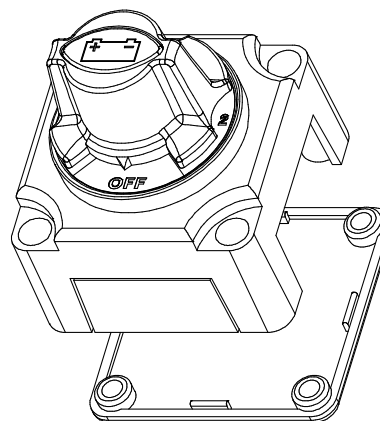
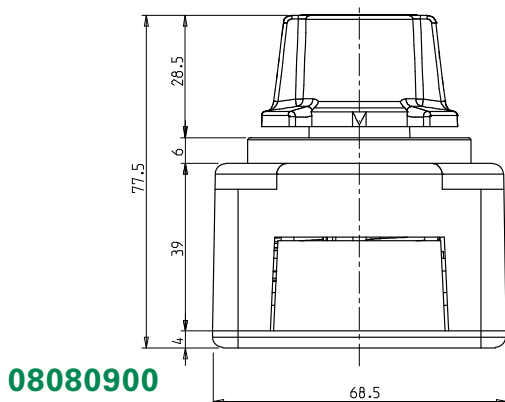
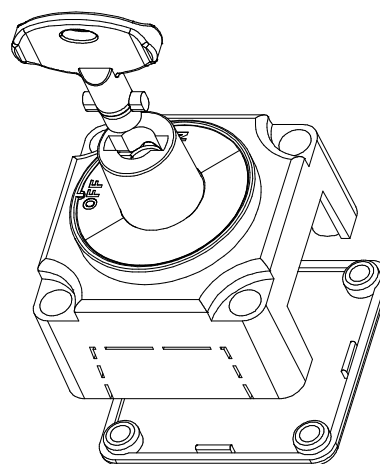
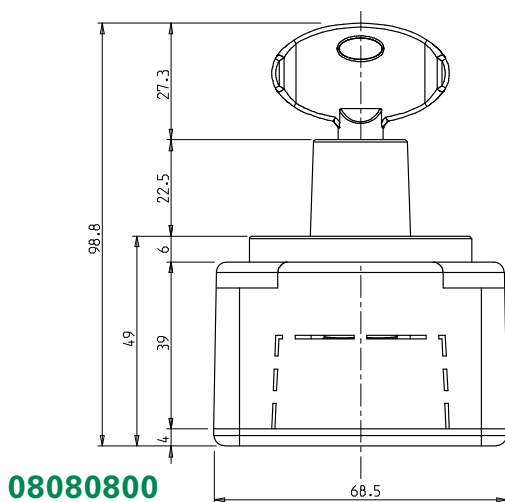
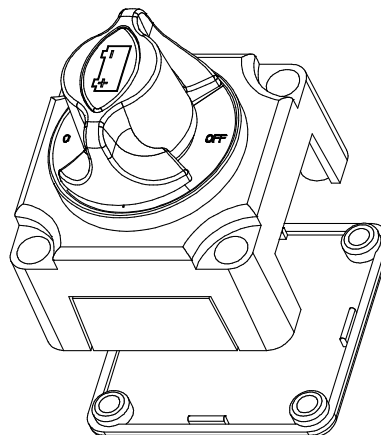
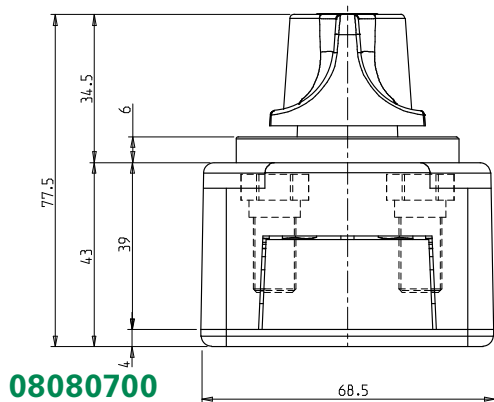


Ordering Information

PART NUMBER	VOLTAGE	AMPERAGE	POSITIONS	CIRCUITRY	MOUNTING	INGRESS	TERMINAL NUTS	NOTES
BOXED								
08080700	12-24V DC	300A	Knob: ON - OFF	SPST	Panel Mount	IP54	M10 Brass	Fixed knob
08080800	12-24V DC	300A	Key: ON - OFF	SPST	Panel Mount	IP54	M10 Brass	Removable key
08080900	12-24V DC	300A	Knob: 1/2/1+2/OFF	SPST	Panel Mount	IP54	M10 Brass	Fixed knob (battery selector)

08080700 & 08080900 BATTERY DISCONNECT SWITCHES

Dimensions in millimeters



Visit Littelfuse.com for the most up-to-date product information. Littelfuse reserves the right to make product changes, without notice. Material in this document is as accurate as known at the time of publication.

X-ON Electronics

Largest Supplier of Electrical and Electronic Components

Click to view similar products for [Control Switches](#) category:

Click to view products by [Littelfuse](#) manufacturer:

Other Similar products are found below :

[80887-99](#) [80932-99](#) [86855-00](#) [88814-30](#) [1424293-1](#) [HW4S-2TC10](#) [89721-12](#) [89804-08](#) [SSN](#) [RL01801](#) [ASD2L20N-LVO](#) [50051857-17](#)
[50099156-001-05](#) [51.155R-15200](#) [50058920-26](#) [CP-FA51](#) [CP-FA49](#) [ACCU-SC/L-3000](#) [PP9M](#) [PP87G](#) [PP86GA](#) [PP74G](#) [PP73M](#) [PP71G](#)
[PP70G](#) [PP6G](#) [PP62G](#) [PP58BL](#) [PP56G](#) [PP86GB](#) [PP77GA](#) [PP76G](#) [PP4M](#) [PP47G](#) [PP46G](#) [PP41M](#) [PP40G](#) [PP32G](#) [RD-20](#) [PP23M](#) [PP14M](#)
[PP12G](#) [RD-40](#) [PORTAPRO](#) [POM-2708](#) [PNB-2005](#) [3057.0012](#) [CV-075](#) [CV-140SB](#) [CV-150](#)