

08084000 & 08084500 BATTERY DISCONNECT SWITCHES

250A-350A-500A • DPST • IP67/IP69K • M10-M12 Studs • Red Key



Specifications

Max Operating Voltage:	24V DC	
Max Continuous Current:	250A	08084000 & 08084300
	350A	08084200 & 08084500
	500A	08084100 & 08084400
Intermittent Current:	1000A	08084000 & 08084300
	1500A	08084200 & 08084500 08084100 & 08084400
Operating Temp:	-40 °C to +85 °C	
Ingress Protection:	IP65-9K	

Contacts:	Silver Plated Copper
Terminals:	M10 & M12 (nickel-plated brass nuts)

Description

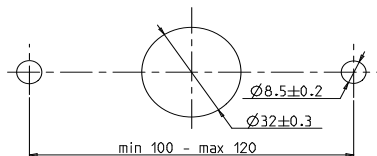
250A-350A-500A bipolar disconnect switch with fixed or removable handle. Modern design, made of high performance materials in terms of resistance to high temperatures, chemical and atmospheric agents. This battery master switch represents an evolution of our expertise and is also supplied in up to 500A DC version. In this range are present two models: from 08084000 to 08084200 without block in the key, also 08084300 to 08084500 with block in the key. It has IP67 water and dust protection and reaches 9K to withstand washing with a high pressure cleaner.

Features/Benefits

- Patented inner mechanism external body made with high performance plastic materials.
- Possibility to make the handle removable or fixed, locking it either OFF or ON position (Smartkey).
- up to 500A continuous current rating
- Waterproof and dustproof to IP67-9K

Mounting Diagram

There are no functionality issues related to installation



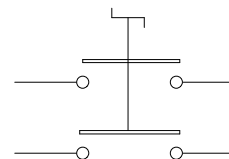
Applications

- Heavy Truck
- Off-Road
- Emergency Vehicles
- Material Handling
- Mining
- Agricultural
- Marine
- Construction

Web Resources

Download 2D print and technical resources at: littelfuse.com/ManualBatterySwitches

Electrical Diagram



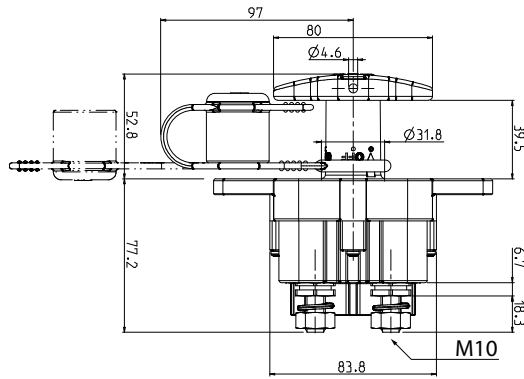
Ordering Information

PART NUMBER	VOLTAGE	AMPERAGE	CIRCUITRY	MOUNTING	INGRESS	TERMINAL NUTS	NOTES
08084000	24V DC	250A	SPST	Surface Mount	IP65-9K	M10 nickel-plated brass	
08084100	24V DC	500A	SPST	Surface Mount	IP65-9K	M12 nickel-plated brass	Silver pads
08084200	24V DC	350A	SPST	Surface Mount	IP65-9K	M12 nickel-plated brass	
08084300	24V DC	250A	SPST	Surface Mount	IP65-9K	M10 nickel-plated brass	
08084400	24V DC	500A	SPST	Surface Mount	IP65-9K	M12 nickel-plated brass	Silver pads
08084500	24V DC	350A	SPST	Surface Mount	IP65-9K	M12 nickel-plated brass	

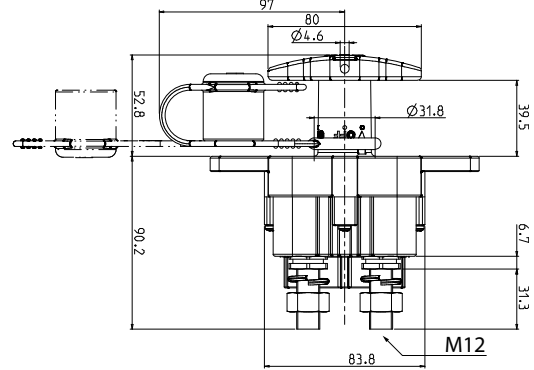
08084000 & 08084500 BATTERY DISCONNECT SWITCHES

Dimensions in millimeters

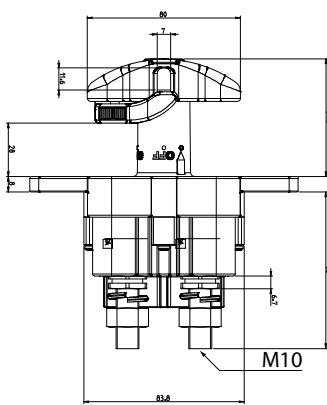
08084000



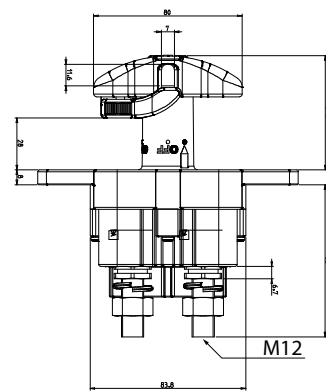
08084100 - 08084200



08084300



08084400 - 08084500

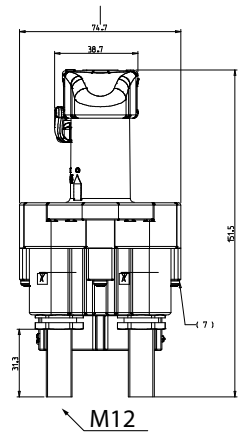
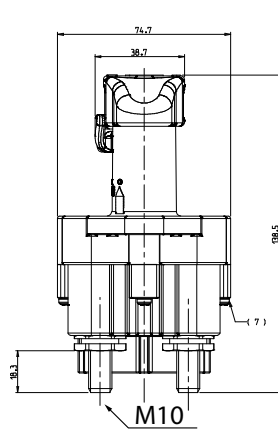
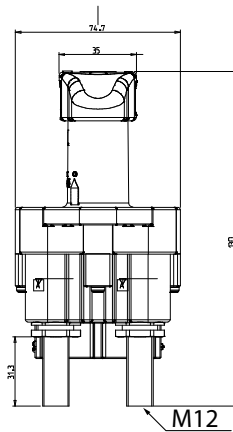
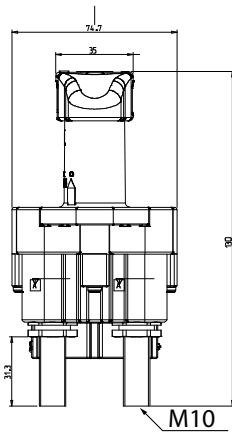


08084000

08084100 - 08084200

08084300

08084400 - 08084500



Visit Littelfuse.com for the most up-to-date product information. Littelfuse reserves the right to make product changes, without notice. Material in this document is as accurate as known at the time of publication.

X-ON Electronics

Largest Supplier of Electrical and Electronic Components

Click to view similar products for [Control Switches](#) category:

Click to view products by [Littelfuse](#) manufacturer:

Other Similar products are found below :

[80887-99](#) [80932-99](#) [86855-00](#) [88814-30](#) [1424293-1](#) [HW4S-2TC10](#) [89721-12](#) [89804-08](#) [SSN](#) [RL01801](#) [ASD2L20N-LVO](#) [50051857-17](#)
[50099156-001-05](#) [51.155R-15200](#) [50058920-26](#) [CP-FA51](#) [CP-FA49](#) [ACCU-SC/L-3000](#) [PP9M](#) [PP87G](#) [PP86GA](#) [PP74G](#) [PP73M](#) [PP71G](#)
[PP70G](#) [PP6G](#) [PP62G](#) [PP58BL](#) [PP56G](#) [PP86GB](#) [PP77GA](#) [PP76G](#) [PP4M](#) [PP47G](#) [PP46G](#) [PP41M](#) [PP40G](#) [PP32G](#) [RD-20](#) [PP23M](#) [PP14M](#)
[PP12G](#) [RD-40](#) [PORTAPRO](#) [POM-2708](#) [PNB-2005](#) [3057.0012](#) [CV-075](#) [CV-140SB](#) [CV-150](#)