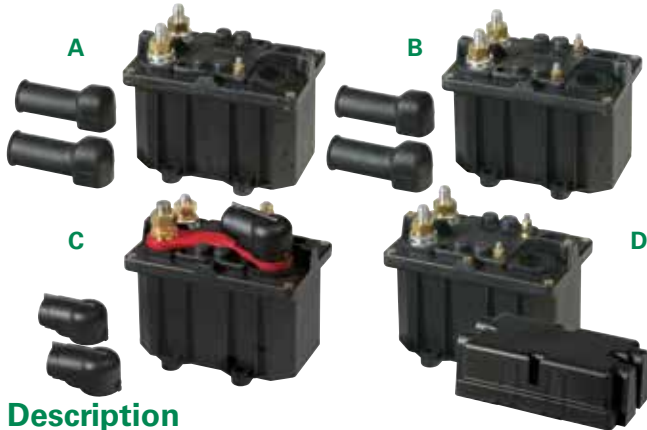


08094400 & 08094960 BATTERY DISCONNECT SWITCHES

250A • SPST • IP65-IPX7 • M10/M12 Studs • Electrical remote control



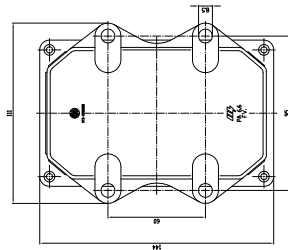
Description

The single pole remote control current isolating switches described in this datasheet section are different in size, shape and working principle. Remote control current isolating switches are encased in a plastic housing, and are turned on or off with the ignition key or a remote control; with a minimum absorption of current. The range of versions available - negative disconnection and positive disconnection both at 12V and 24V. In this category we also find a range of models where unlike as in traditional current isolating switches the coil is fed separately and disconnects either the negative or the positive pole.

Features/Benefits

- 250A continuous current rating
- Waterproof IP65/IPX7

Mounting Diagram



Ordering Information

PART NUMBER	VOLTAGE	AMPERAGE	CIRCUITRY	MOUNTING	INGRESS	TERMINAL NUTS	IMAGE	DIAGRAM	NOTES
08094400	24V DC	250A	SPST	Bolt-down	IP65-IPX7	M10 Tin-plated brass	A	2	— disconnection
08094500	24V DC	250A	SPST	Bolt-Down	IP65-IPX7	M10 Tin-plated brass	A	3	+ disconnection
08094461	24V DC	250A	SPST	Bolt-Down	IP65-IPX7	M10-M12 Tin-plated brass	A	2	— disconnection
08094561	24V DC	250A	SPST	Bolt-Down	IP65-IPX7	M10 Tin-plated brass	A	3	+ disconnection protection cover
08094600	12V DC	250A	SPST	Bolt-Down	IP65-IPX7	M10 Tin-plated brass	A	2	— disconnection
08094700	12V DC	250A	SPST	Bolt-Down	IP65-IPX7	M10 Tin-plated brass	A	3	+ disconnection
08094563	24V DC	250A	SPST	Bolt-Down	IP65-IPX7	M10-M12 Tin-plated brass	A	3	+ disconnection
08094800	24V DC	250A	SPST	Bolt-Down	IP65-IPX7	M10 Tin-plated brass	B	1	± disconnection separate coil feeding
08094900	12V DC	250A	SPST	Bolt-Down	IP65-IPX7	M10 Tin-plated brass	B	1	± disconnection separate coil feeding
08094860	24V DC	250A	SPST	Bolt-Down	IP65-IPX7	M10 Tin-plated brass	D	1	± disconnection separate coil and cover
08094960	12V DC	250A	SPST	Bolt-Down	IP65-IPX7	M10 Tin-plated brass	D	1	± disconnection separate coil and cover
08094562	24V DC	250A	SPST	Bolt-Down	IP65-IPX7	M10-M12 Tin-plated brass	C	4	+ disconnection double power connection

Specifications

Max Operating Voltage:	12V DC 24V DC
Max Continuous Current:	250A
Intermittent Current:	2500A at 3 sec
Operating Temp:	-40 °C to +85 °C
Ingress Protection:	IP65/IPX7
Contacts:	Tin-plated Brass Copper
Terminals:	M10 - M12 (brass)

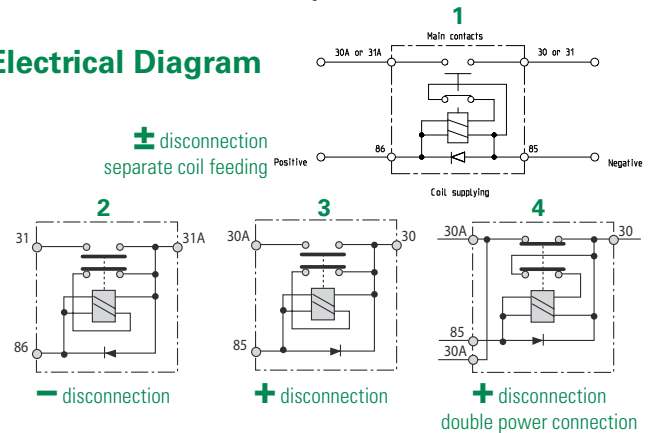
Applications

- Heavy trucks
- Buses
- Construction
- Commercial vehicles
- Agricultural
- Material Handling

Web Resources

Download 2D print and technical resources at:
littelfuse.com/ManualBatterySwitches

Electrical Diagram

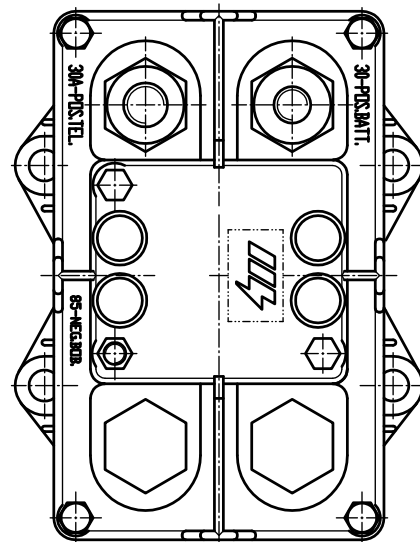
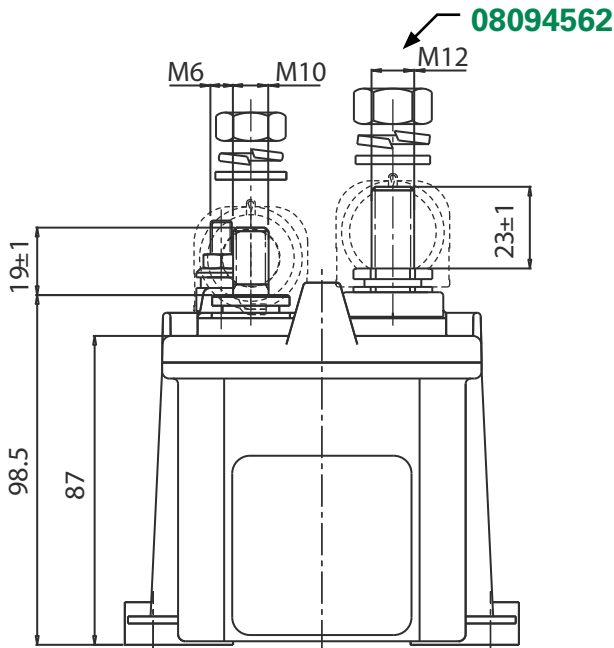
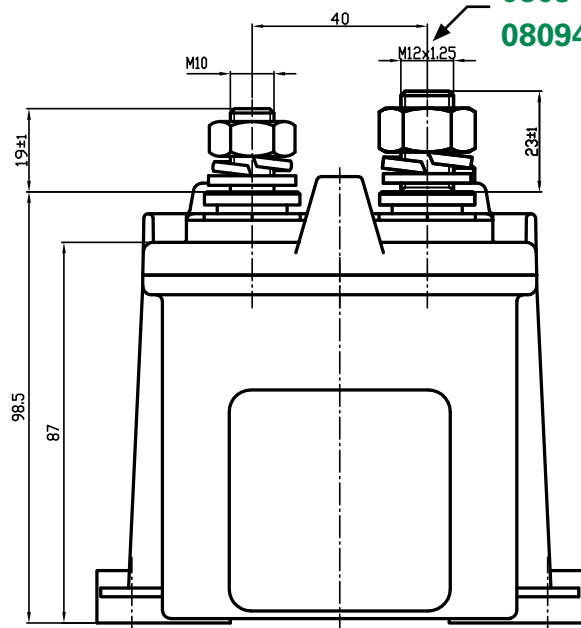
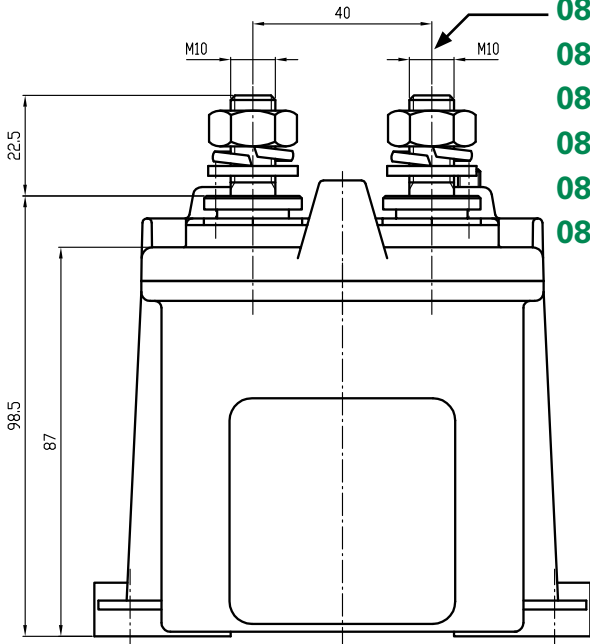


08094400 & 08094960 BATTERY DISCONNECT SWITCHES

Dimensions in millimeters

- 08094600
- 08094400
- 08094700
- 08094500
- 08094561
- 08094900
- 08094800
- 08094960
- 08094860

- 08094461
- 08094563



Visit Littelfuse.com for the most up-to-date product information. Littelfuse reserves the right to make product changes, without notice. Material in this document is as accurate as known at the time of publication.

X-ON Electronics

Largest Supplier of Electrical and Electronic Components

Click to view similar products for [Control Switches](#) category:

Click to view products by [Littelfuse](#) manufacturer:

Other Similar products are found below :

[80887-99](#) [80932-99](#) [86855-00](#) [88814-30](#) [1424293-1](#) [HW4S-2TC10](#) [89721-12](#) [89804-08](#) [SSN](#) [RL01801](#) [ASD2L20N-LVO](#) [50051857-17](#)
[50099156-001-05](#) [51.155R-15200](#) [50058920-26](#) [CP-FA51](#) [CP-FA49](#) [ACCU-SC/L-3000](#) [PP9M](#) [PP87G](#) [PP86GA](#) [PP74G](#) [PP73M](#) [PP71G](#)
[PP70G](#) [PP6G](#) [PP62G](#) [PP58BL](#) [PP56G](#) [PP86GB](#) [PP77GA](#) [PP76G](#) [PP4M](#) [PP47G](#) [PP46G](#) [PP41M](#) [PP40G](#) [PP32G](#) [RD-20](#) [PP23M](#) [PP14M](#)
[PP12G](#) [RD-40](#) [PORTAPRO](#) [POM-2708](#) [PNB-2005](#) [3057.0012](#) [CV-075](#) [CV-140SB](#) [CV-150](#)