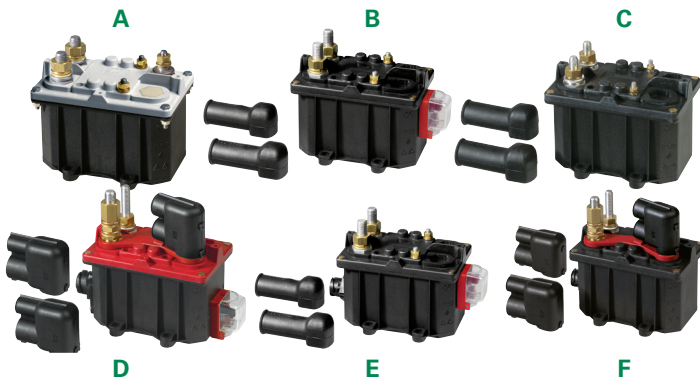


08097160 & 08098100 BATTERY DISCONNECT SWITCHES

250A-350A • SPST • IP65 • M10/M12 Studs • Electrical bistable remote control



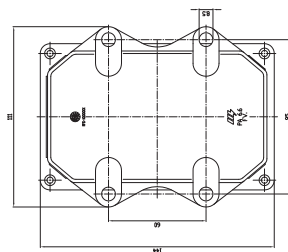
Description

In shape and design the current isolating switches with mechanical ON-OFF position are very similar to the models described in the preceding section. But there is one difference: while traditional current isolating switches require a minimum current when they are turned on, models with “mechanical ON-OFF position” absorb current only during the commuting phase or when switched from (OFF) to (ON) and vice versa. Generally referred to as “bistable with zero consumption”, their switches turn to closed or open state of the electric circuit.

Features/Benefits

- 250A-350A continuous current rating
- Waterproof IP65/IPX7

Mounting Diagram



Specifications

Max Operating Voltage:	12V DC 24V DC
Max Continuous Current:	250A 08097200-08097260-08091761-08097860-08098100 350A 08097160-08097161-08097261-08097262
Intermittent Current:	2500A at 3 sec
Operating Temp:	-40 °C to +85 °C
Ingress Protection:	IP65
Contacts:	Tin-plated Brass
Terminals:	M10 - M12 (brass)

Applications

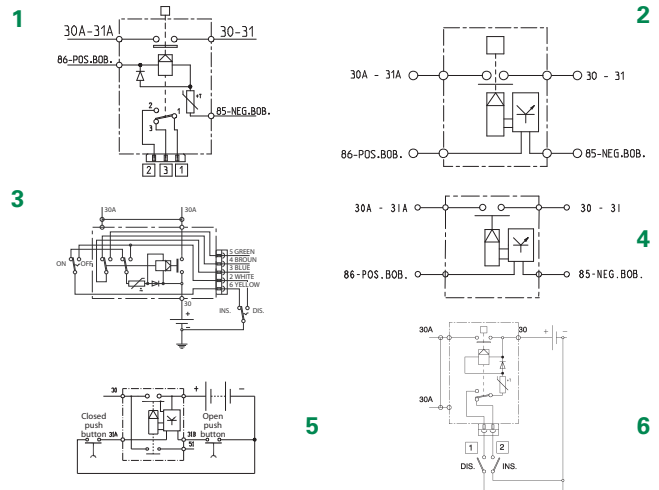
- Heavy trucks
- Buses
- Construction
- Commercial vehicles
- Agricultural
- Marine

Web Resources

Download technical resources at:
littelfuse.com/ElectricalBatteryDisconnectSwitches

Electrical Diagram

All the range ± disconnection separate coil feeding



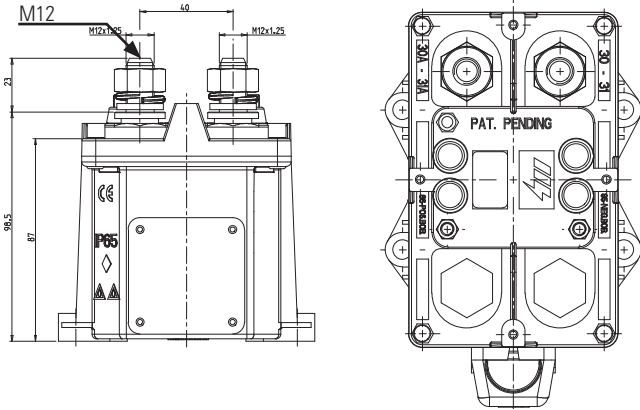
Ordering Information

PART NUMBER	VOLTAGE	AMPERAGE	CIRCUITRY	MOUNTING	INGRESS	TERMINAL NUTS	IMAGE	DIAGRAM	NOTES
08097160	12V DC	350A	SPST	Bolt-Down	IP65-IPX7	M12 Tin-plated brass	B	2	manual remote control
08097161	12V DC	350A	SPST	Bolt-Down	IP65-IPX7	M12 Tin-plated brass	E	1	manual remote control
08097200	24V DC	250A	SPST	Bolt-Down	IP65-IPX7	M10 Tin-plated brass	C	4	separate ON-OFF switch
08097260	24V DC	250A	SPST	Bolt-Down	IP65-IPX7	M10 Tin-plated brass	C	4	protection cover
08097261	24V DC	350A	SPST	Bolt-Down	IP65-IPX7	M12 Tin-plated brass	B	2	manual remote control
08097262	24V DC	350A	SPST	Bolt-Down	IP65-IPX7	M12 Tin-plated brass	E	1	manual remote control
08091761	24V DC	250A	SPST	Bolt-Down	IP65-IPX7	M10-M12 Tin-plated brass	F	6	stif protection sheath
08097860	24V DC	250A	SPST	Bolt-Down	IP65-IPX7	M10-M12 Tin-plated brass	D	3	manual remote control
08098100	24V DC	250A	SPST	Bolt-Down	IP65-IPX7	M10 Tin-plated brass	A	5	disconnection the alternator

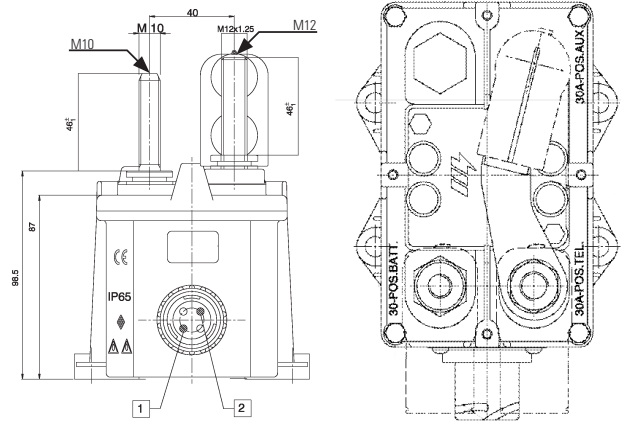
08097160 & 08098100 BATTERY DISCONNECT SWITCHES

Dimensions in millimeters

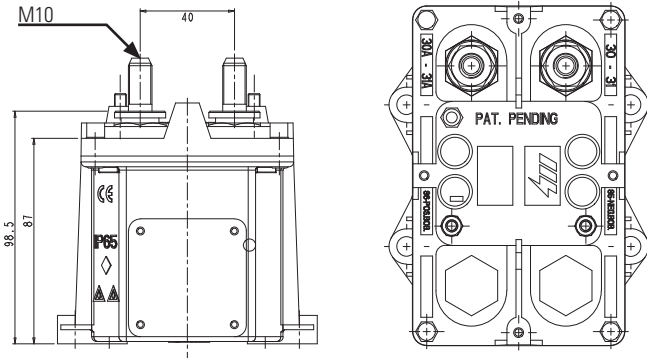
08097160
08097261



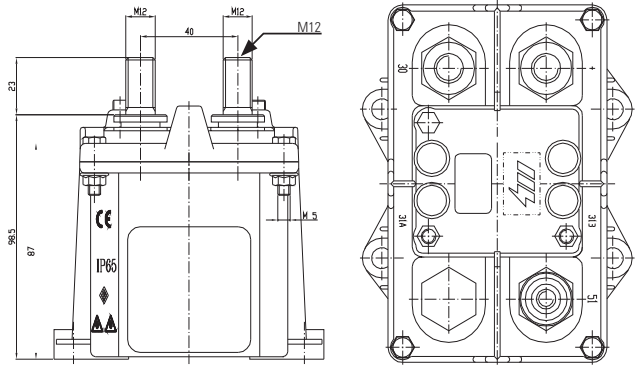
08091761



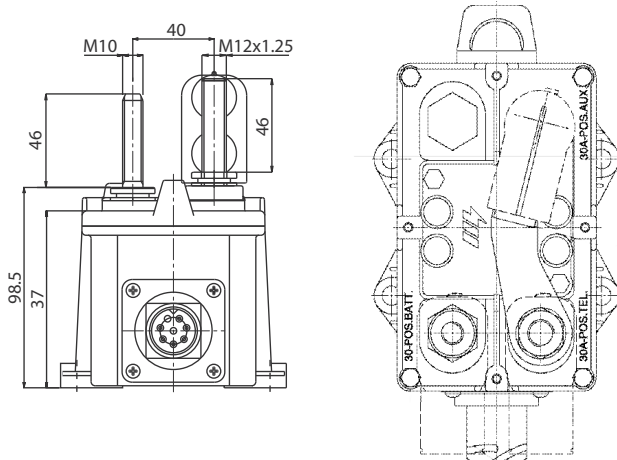
08097200
08097260 (with cover)



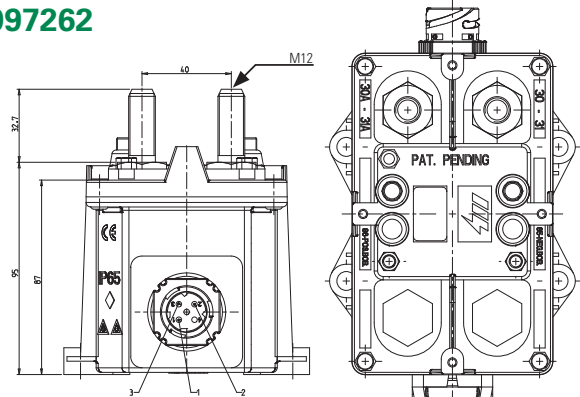
08098100



08097860



08097161
08097262



Visit Littelfuse.com for the most up-to-date product information. Littelfuse reserves the right to make product changes, without notice. Material in this document is as accurate as known at the time of publication.

X-ON Electronics

Largest Supplier of Electrical and Electronic Components

Click to view similar products for [Control Switches](#) category:

Click to view products by [Littelfuse](#) manufacturer:

Other Similar products are found below :

[80887-99](#) [80932-99](#) [86855-00](#) [88814-30](#) [1424293-1](#) [HW4S-2TC10](#) [89721-12](#) [89804-08](#) [SSN](#) [RL01801](#) [ASD2L20N-LVO](#) [50051857-17](#)
[50099156-001-05](#) [51.155R-15200](#) [50058920-26](#) [CP-FA51](#) [CP-FA49](#) [ACCU-SC/L-3000](#) [PP9M](#) [PP87G](#) [PP86GA](#) [PP74G](#) [PP73M](#) [PP71G](#)
[PP70G](#) [PP6G](#) [PP62G](#) [PP58BL](#) [PP56G](#) [PP86GB](#) [PP77GA](#) [PP76G](#) [PP4M](#) [PP47G](#) [PP46G](#) [PP41M](#) [PP40G](#) [PP32G](#) [RD-20](#) [PP23M](#) [PP14M](#)
[PP12G](#) [RD-40](#) [PORTAPRO](#) [POM-2708](#) [PNB-2005](#) [3057.0012](#) [CV-075](#) [CV-140SB](#) [CV-150](#)