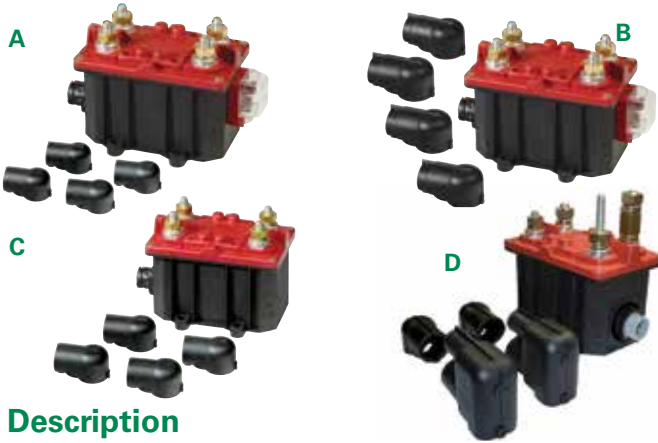


08097360 & 08097469 BATTERY DISCONNECT SWITCHES

250A • DPST • IP65/IPX7 • M10-M12 Studs • ADR Electronic/Electrical bistable remote control



Description

This is the dual-pole bi-stable version of the ADR electronic battery disconnect switches.

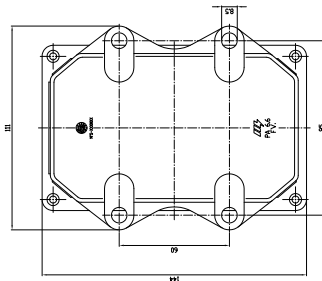
It protects the vehicle in potentially explosive environments in case of emergency according the European Dangerous Goods Transport Regulation and is operated with an emergency ON-OFF switch.

Switches are bi-stable with zero consumption, that is, the device absorbs current only during the commuting phase when the electrical circuit is switched ON or OFF and no further consumption to keep the ON or OFF status.

Features/Benefits

- 250A continuous current rating
- Waterproof IP65/IPX7

Mounting Diagram



Specifications

Max Operating Voltage:	12V DC: 08097360-08097363-08097364 24V DC: 08097460-08097463-08097464
Max Continuous Current:	250A
Intermittent Current:	2500A at 3 sec
Operating Temp:	-40 °C to +85 °C
Ingress Protection:	IP65/IPX7
Contacts:	Tin-plated Brass
Terminals:	M10 - M12 (brass)

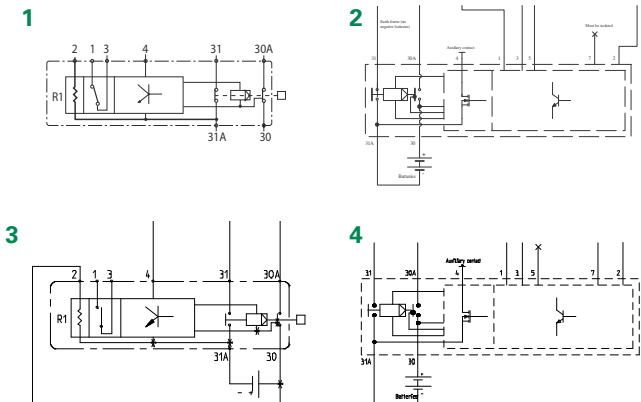
Applications

- Heavy trucks
- Buses
- Construction
- Commercial vehicles
- Ambulances
- Material Handling

Web Resources

Download technical resources at:
littelfuse.com/ManualBatterySwitches

Electrical Diagram

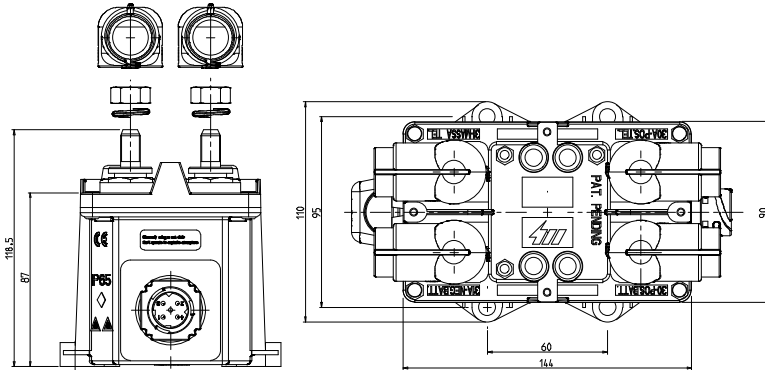


Ordering Information

PART NUMBER	VOLTAGE	AMPERAGE	CIRCUITRY	MOUNTING	INGRESS	CONTACT TERMINALS	IMAGE	DIAGRAM	NOTES
08097360	12V DC	250A	DPST	Bolt-Down	IP65	M10 Tin-plated brass	A	1	2 sec. emergency CUT-OFF delay Power supply for tachograf
08097460	24V DC	250A	DPST	Bolt-Down	IP65	M10 Tin-plated brass	A	1	2 sec. emergency CUT-OFF delay Power supply for tachograf
08097363	12V DC	250A	DPST	Bolt-Down	IP65/IPX7	M10 Tin-plated brass	C	2	30 sec. CUT-OFF delay 10 sec. emergency CUT-OFF
08097463	24V DC	250A	DPST	Bolt-Down	IP65/IPX7	M10 Tin-plated brass	C	2	30 sec. CUT-OFF delay 10 sec. emergency CUT-OFF
08097364	12V DC	250A	DPST	Bolt-Down	IP65	M10 Tin-plated brass	B	3	3 sec. emergency CUT-OFF delay Power supply for tachograf
08097464	24V DC	250A	DPST	Bolt-Down	IP65	M10 Tin-plated brass	B	3	3 sec. emergency CUT-OFF delay Power supply for tachograf
08097469	24V DC	250A	DPST	Bolt-Down	IP65/IPX7	M10-M12 Tin-plated brass	D	4	180 sec. CUT-OFF delay 0,5 sec. emergency CUT-OFF

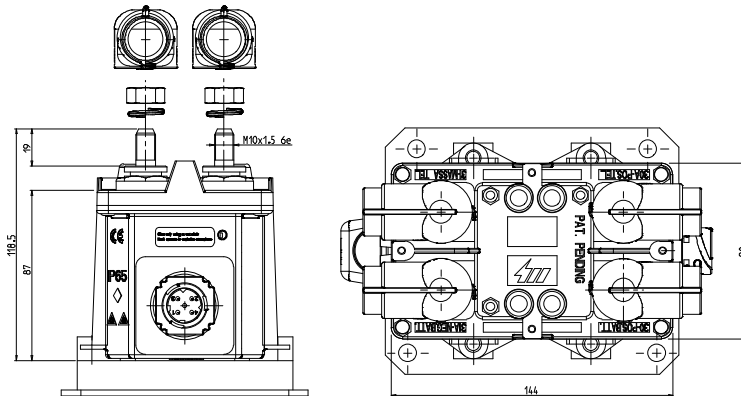
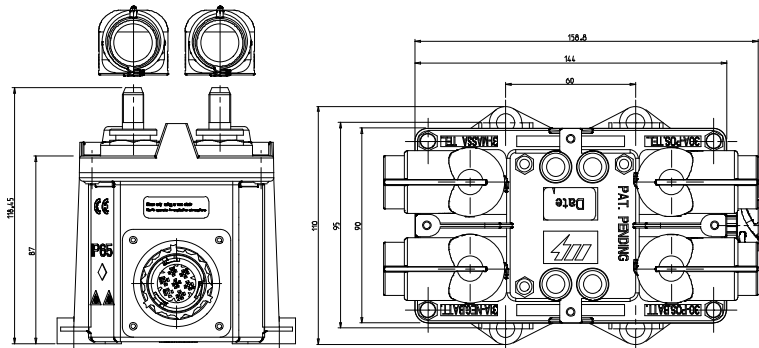
08097360 & 08097469 BATTERY DISCONNECT SWITCHES

Dimensions in millimeters



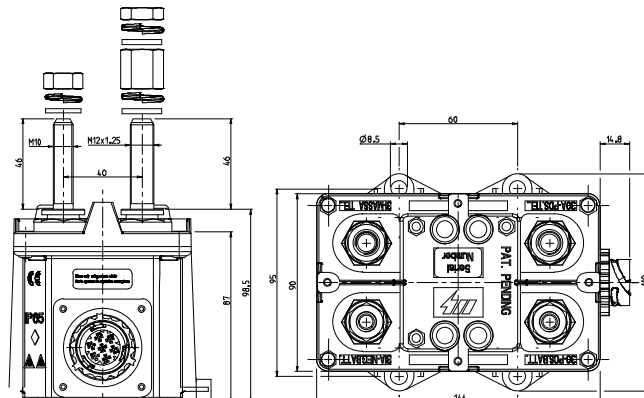
08097360 - 12V
08097460 - 24V

08097363 - 12V
08097463 - 24V



08097364 - 12V
08097464 - 24V

08097469 - 24V



X-ON Electronics

Largest Supplier of Electrical and Electronic Components

Click to view similar products for [Control Switches](#) category:

Click to view products by [Littelfuse](#) manufacturer:

Other Similar products are found below :

[80887-99](#) [80932-99](#) [86855-00](#) [88814-30](#) [1424293-1](#) [HW4S-2TC10](#) [89721-12](#) [89804-08](#) [SSN](#) [RL01801](#) [ASD2L20N-LVO](#) [50051857-17](#)
[50099156-001-05](#) [51.155R-15200](#) [50058920-26](#) [CP-FA51](#) [CP-FA49](#) [ACCU-SC/L-3000](#) [PP9M](#) [PP87G](#) [PP86GA](#) [PP74G](#) [PP73M](#) [PP71G](#)
[PP70G](#) [PP6G](#) [PP62G](#) [PP58BL](#) [PP56G](#) [PP86GB](#) [PP77GA](#) [PP76G](#) [PP4M](#) [PP47G](#) [PP46G](#) [PP41M](#) [PP40G](#) [PP32G](#) [RD-20](#) [PP23M](#) [PP14M](#)
[PP12G](#) [RD-40](#) [PORTAPRO](#) [PNB-2005](#) [3057.0012](#) [CV-075](#) [CV-140SB](#) [CV-150](#) [CV-150S](#)