

## 08098700 & 08099080 BATTERY DISCONNECT SWITCHES

100-150A • SPST • UP4X/IP43 • M8-M10 Studs • Compact

**08098700 M8**  
**08098780 M10**

**08099000 M8**  
**08099080 M10**

**Threaded  
brass pads  
by 08098768**



### Description

08098700 is Standard Compact Manual Battery Disconnect Switch that features a removable handle with a plastic body. Rated to 100A continuous current this switch is ideal for light-duty applications.

08099000 same 08098700 but with rubber cap included for protection while switch is removed from the socket.

08098780 is a newer design with bigger contacts (M10) and improved components for heavier 150A current loads in the same compact dimensions, which make it one of the more popular products for 12V applications. This Manual Battery Disconnect Switch features a removable handle with a plastic body.

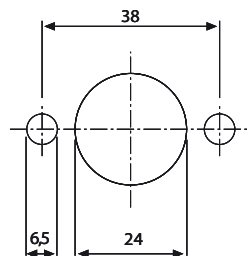
08099080 same 08098780 but with rubber cap included for protection while switch is removed from the socket.

### Features/Benefits

- 100-150A continuous current rating
- Heavy Construction for up to 150A loads in compact design
- Highly visible bright red handle
- Weatherproof to IP43

### Mounting Diagram

There are no functionality issues related to installation



### Specifications

<b>Max Operating Voltage:</b>	24V DC
<b>Max Continuous Current:</b>	100A 150A
<b>Intermittent Current:</b>	500A at 5 sec 1000A at 5 sec
<b>Operating Temp:</b>	-40 °C to +85 °C
<b>Ingress Protection:</b>	IP4X IP43
<b>Contacts:</b>	Copper
<b>Terminals:</b>	M8 (zinc-plated steel nuts) M10 (zinc-plated steel and brass nuts)

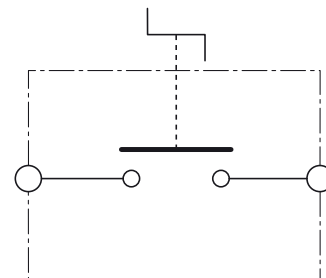
### Applications

- Off-Road
- Marine
- Agricultural

### Web Resources

Download technical resources at:  
[littelfuse.com/ManualBatterySwitches](http://littelfuse.com/ManualBatterySwitches)

### Electrical Diagram



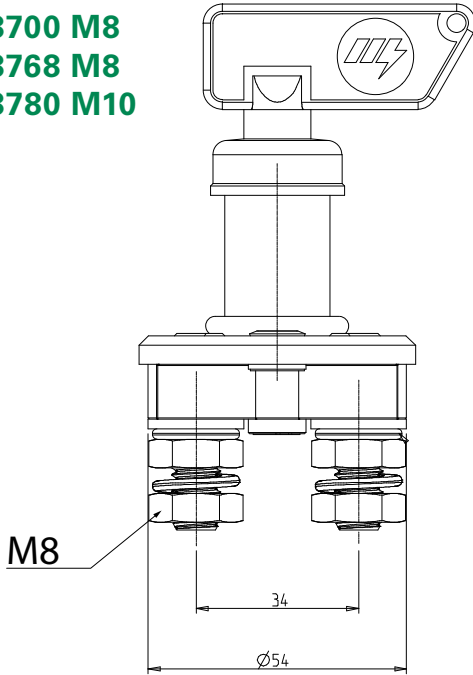
### Ordering Information

PART NUMBER	VOLTAGE	AMPERAGE	CIRCUITRY	MOUNTING	INGRESS	TERMINAL NUTS	NOTES
08098700	12V-24V DC	100A	SPST	Flange Mount	IP4X	M8 Steel zinc-plated	
08098768	12V-24V DC	100A	SPST	Flange Mount	IP4X	M8 Steel zinc-plated	Threaded brass pads
08098780	12V-24V DC	150A	SPST	Flange Mount	IP4X	M10 Brass	
08099000	12V-24V DC	100A	SPST	Flange Mount	IP43	M8 Steel zinc-plated	Rubber protection cap
08099080	12V-24V DC	150A	SPST	Flange Mount	IP43	M10 Steel zinc-plated	Rubber protection cap

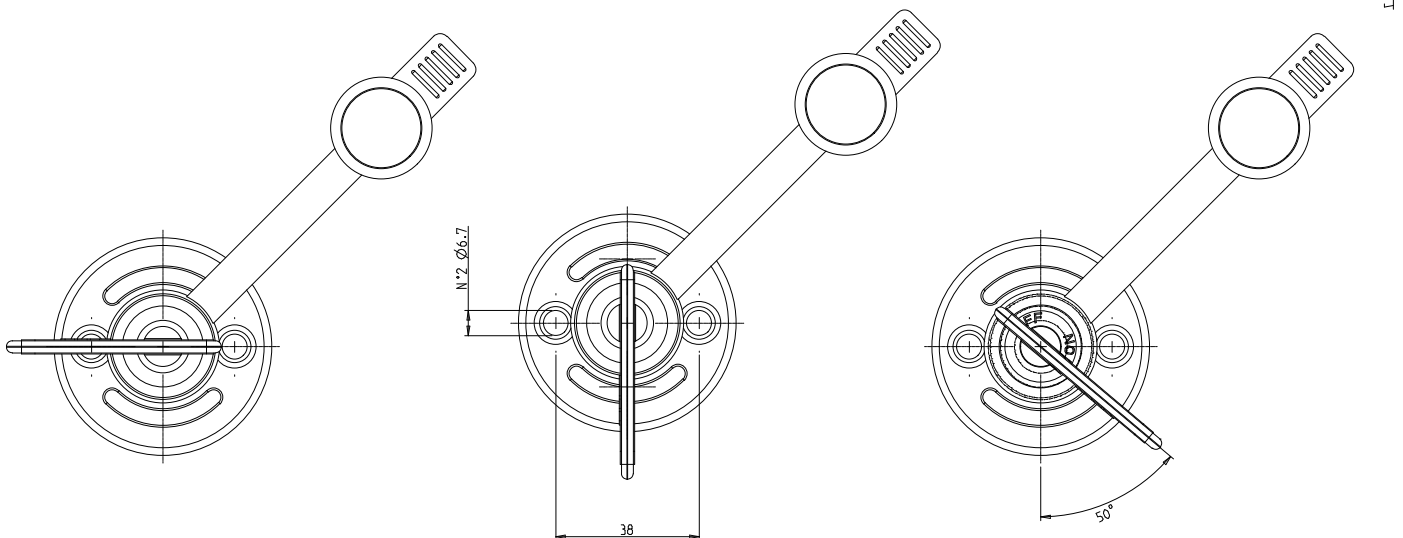
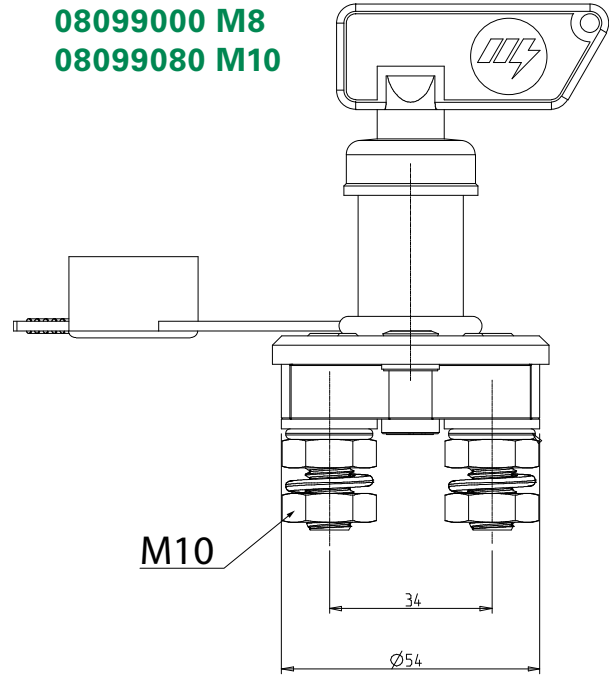
# 08098700 & 08099080 BATTERY DISCONNECT SWITCHES

## Dimensions in millimeters

**08098700 M8**  
**08098768 M8**  
**08098780 M10**



**08099000 M8**  
**08099080 M10**



**Close contact**

**Open contact**

**Plugging in/Pull Out Key**



Visit [Littelfuse.com](http://Littelfuse.com) for the most up-to-date product information. Littelfuse reserves the right to make product changes, without notice. Material in this document is as accurate as known at the time of publication.

## X-ON Electronics

Largest Supplier of Electrical and Electronic Components

*Click to view similar products for [Control Switches](#) category:*

*Click to view products by [Littelfuse](#) manufacturer:*

Other Similar products are found below :

[80887-99](#) [80932-99](#) [86855-00](#) [88814-30](#) [1424293-1](#) [HW4S-2TC10](#) [89721-12](#) [89804-08](#) [SSN](#) [RL01801](#) [ASD2L20N-LVO](#) [50051857-17](#)  
[50099156-001-05](#) [51.155R-15200](#) [50058920-26](#) [CP-FA51](#) [CP-FA49](#) [ACCU-SC/L-3000](#) [PP9M](#) [PP87G](#) [PP86GA](#) [PP74G](#) [PP73M](#) [PP71G](#)  
[PP70G](#) [PP6G](#) [PP62G](#) [PP58BL](#) [PP56G](#) [PP86GB](#) [PP77GA](#) [PP76G](#) [PP4M](#) [PP47G](#) [PP46G](#) [PP41M](#) [PP40G](#) [PP32G](#) [RD-20](#) [PP23M](#) [PP14M](#)  
[PP12G](#) [RD-40](#) [PORTAPRO](#) [POM-2708](#) [PNB-2005](#) [3057.0012](#) [CV-075](#) [CV-140SB](#) [CV-150](#)