

08098900 BATTERY DISCONNECT SWITCHES

350A • SPST • IP65 • M12 Studs • Removable or Fixed Handle



Description

Manual Battery Disconnect Switch features a removable or fixed handle depending on part number selected.

08098900 - base unit with removable handle

08098980 - switch with removable handle with black boot and chain

08098981 - switch with fixed handle and black boot

Features/Benefits

- 350A continuous current rating
- Waterproof and dustproof to IP65

Specifications

Max Operating Voltage:	24V DC
Max Continuous Current:	350A
Intermittent Current:	2500A at 3 sec
Operating Temp:	-40°C to +80°C
Ingress Protection:	IP65 IP69K (08098981)
Contacts:	Silver-Plated Copper
Terminals:	M12 (zinc-plated steel)

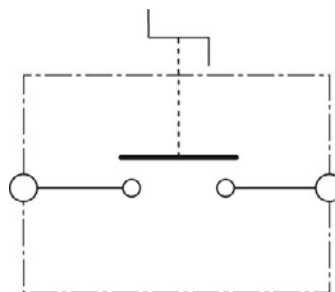
Applications

- Heavy Truck
- Off-Road
- Emergency Vehicles
- Material Handling
- Mining
- Agricultural
- Marine
- Construction

Web Resources

Download 2D prints and additional technical resources at:
littelfuse.com/ManualBatterySwitches

Electrical Diagram

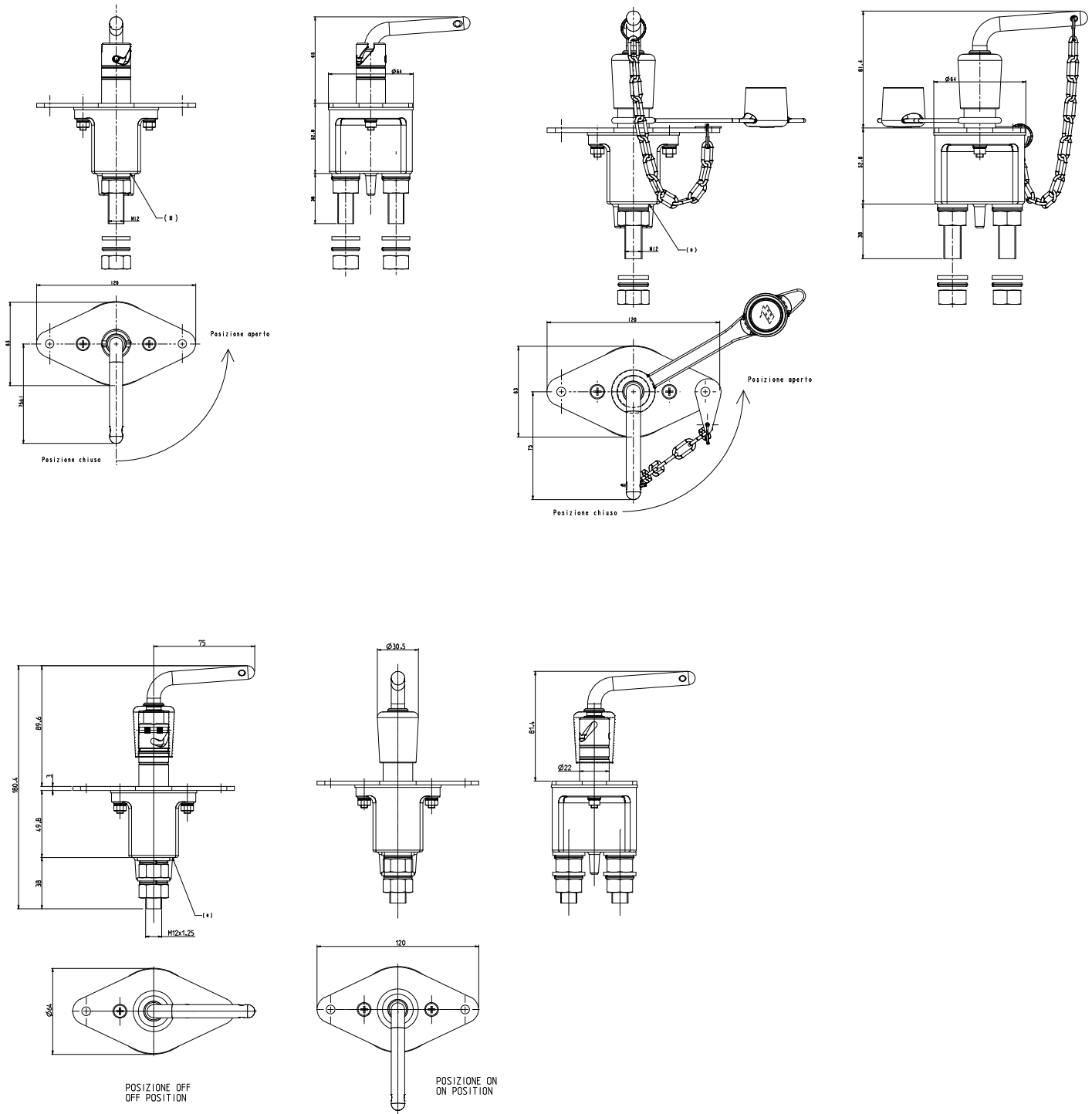


Ordering Information

PART NUMBERS		VOLTAGE	AMPERAGE	CIRCUITRY	MOUNTING	INGRESS	NOTES
BULK	BOXED						
08098900	08098900-BX	12-24V DC	350A	SPST	Flange Mount	IP65	Removable Handle
08098980	08098980-BX	12-24V DC	350A	SPST	Flange Mount	IP65	Removable Handle w/ Chain Cap to Cover when Key is Removed
08098981	08098981-BX	12-24V DC	350A	SPST	Flange Mount	IP65/IP69K	Fixed Handle w/ Black Boot

08098900 BATTERY DISCONNECT SWITCHES

Dimensions in millimeters



X-ON Electronics

Largest Supplier of Electrical and Electronic Components

Click to view similar products for [Control Switches](#) category:

Click to view products by [Littelfuse](#) manufacturer:

Other Similar products are found below :

[80887-99](#) [80932-99](#) [86855-00](#) [88814-30](#) [1424293-1](#) [HW4S-2TC10](#) [89721-12](#) [89804-08](#) [SSN](#) [RL01801](#) [ASD2L20N-LVO](#) [50051857-17](#)
[50099156-001-05](#) [51.155R-15200](#) [50058920-26](#) [CP-FA51](#) [CP-FA49](#) [ACCU-SC/L-3000](#) [PP9M](#) [PP87G](#) [PP86GA](#) [PP74G](#) [PP73M](#) [PP71G](#)
[PP70G](#) [PP6G](#) [PP62G](#) [PP58BL](#) [PP56G](#) [PP86GB](#) [PP77GA](#) [PP76G](#) [PP4M](#) [PP47G](#) [PP46G](#) [PP41M](#) [PP40G](#) [PP32G](#) [RD-20](#) [PP23M](#) [PP14M](#)
[PP12G](#) [RD-40](#) [PORTAPRO](#) [POM-2708](#) [PNB-2005](#) [3057.0012](#) [CV-075](#) [CV-140SB](#) [CV-150](#)