

08099100 & 08099500 BATTERY DISCONNECT SWITCHES

250A/350A • SPST • IP65 • M10/M12 Studs



08099500 Description

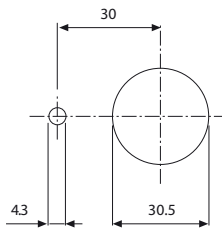
250A/350A Manual battery master switch with removable or fixed handle. Available with weather protective boots.

- 08099100** is interchangeable with IVECO 4822229
- 08099170** is interchangeable with IVECO 500362400
- 08099500** (change-over contact) is interchangeable with IVECO 99458665, supplementary contact 1A and high load supplementary contact 5A

Features/Benefits

- 250-350A continuous current rating
- With aluminum fixed handle or removable key
- Robust body in thermoplastic material
- Waterproof to IP65

Mounting Diagram



Specifications

Max Operating Voltage:	24V DC
Max Continuous Current:	250A & 350A
Intermittent Current:	2500A at 3 sec
Operating Temp:	-40 °C to +85 °C
Ingress Protection:	IP65
Contacts:	Silver-plated Copper
Terminals:	M10 (brass nuts) M12 (inox nuts)

Applications

- Heavy Truck
- Off-Road
- Emergency Vehicles
- Mining
- Agricultural
- Material Handling

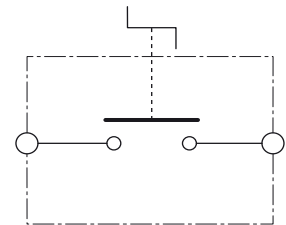
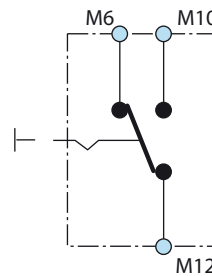
Web Resources

Download 2D print and technical resources at:
littelfuse.com/ManualBatterySwitches

Electrical Diagram

With supplementary contacts (08099500)

Standard contacts



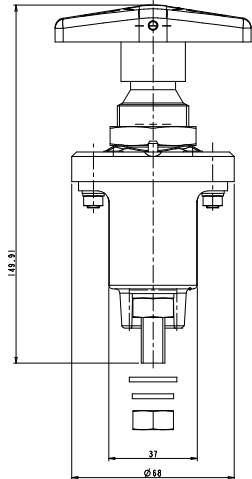
Ordering Information

PART NUMBER	VOLTAGE	AMPERAGE	CIRCUITRY	MOUNTING	INGRESS	TERMINAL NUTS	NOTES
08099100	12-24V DC	250A	SPST	Through-Hole	IP65	M10 Brass	Fixed handle
08098300	12-24V DC	250A	SPST	Through-Hole	IP65	M10 Brass	Removable key
08099170	12-24V DC	250A	SPST	Through-Hole	IP65	M10 Brass	Fixed handle
08099500	12-24V DC	250A	SPST	Through-Hole	IP65	M10 Brass	Fixed handle (change-over contact)
08099200	12-24V DC	350A	SPST	Through-Hole	IP65	M12 Inox	Fixed handle

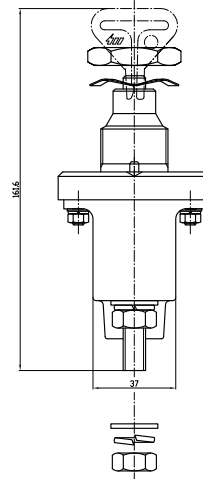
08099100 & 08099500 BATTERY DISCONNECT SWITCHES

Dimensions in millimeters

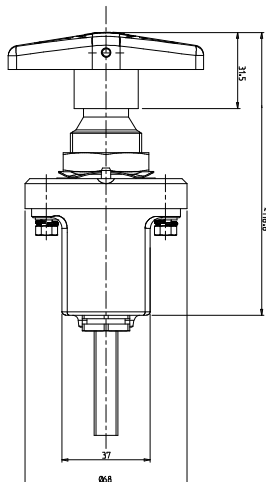
08099100



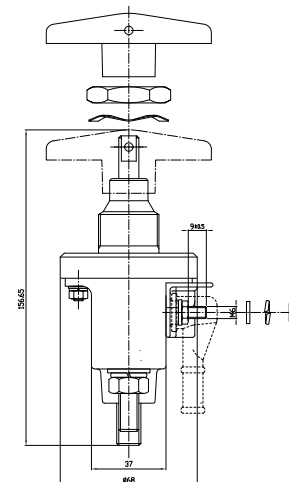
08098300



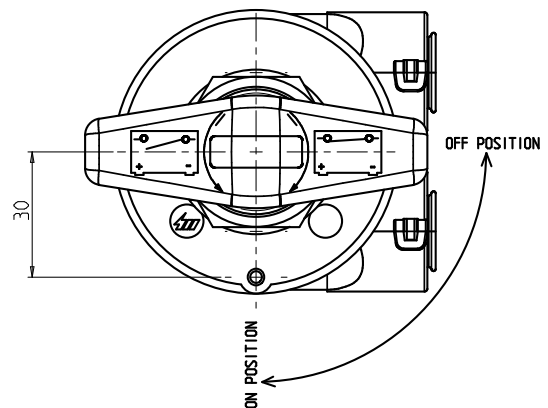
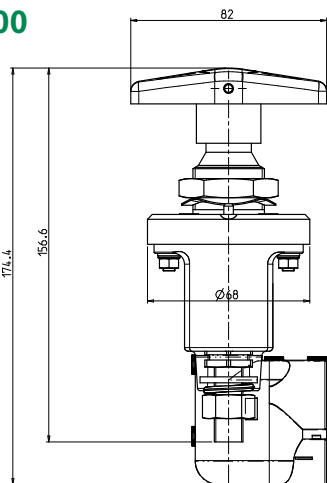
08099170



08099500



08099200



Visit Littelfuse.com for the most up-to-date product information. Littelfuse reserves the right to make product changes, without notice. Material in this document is as accurate as known at the time of publication.

X-ON Electronics

Largest Supplier of Electrical and Electronic Components

Click to view similar products for [Control Switches](#) category:

Click to view products by [Littelfuse](#) manufacturer:

Other Similar products are found below :

[80887-99](#) [80932-99](#) [86855-00](#) [88814-30](#) [1424293-1](#) [HW4S-2TC10](#) [89721-12](#) [89804-08](#) [SSN](#) [RL01801](#) [ASD2L20N-LVO](#) [50051857-17](#)
[50099156-001-05](#) [51.155R-15200](#) [50058920-26](#) [CP-FA51](#) [CP-FA49](#) [ACCU-SC/L-3000](#) [PP9M](#) [PP87G](#) [PP86GA](#) [PP74G](#) [PP73M](#) [PP71G](#)
[PP70G](#) [PP6G](#) [PP62G](#) [PP58BL](#) [PP56G](#) [PP86GB](#) [PP77GA](#) [PP76G](#) [PP4M](#) [PP47G](#) [PP46G](#) [PP41M](#) [PP40G](#) [PP32G](#) [RD-20](#) [PP23M](#) [PP14M](#)
[PP12G](#) [RD-40](#) [PORTAPRO](#) [POM-2708](#) [PNB-2005](#) [3057.0012](#) [CV-075](#) [CV-140SB](#) [CV-150](#)