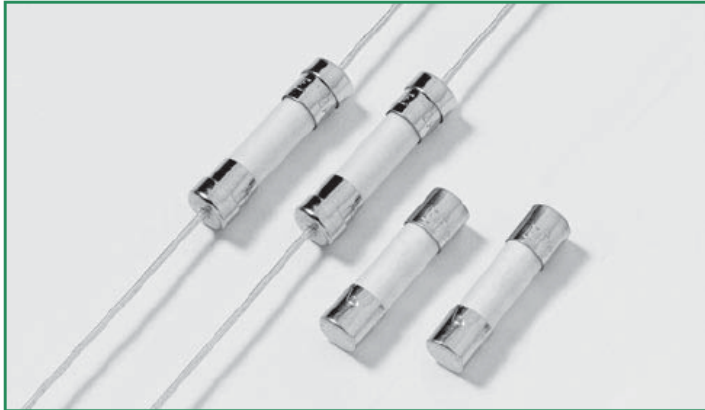




977 Series, 5x20 mm, Time Lag (Slo-Blo) Fuse



Description

450Vdc/500Vac rated, 5x20mm, Time lag, surge withstand, ceramic body, cartridge fuse

Features

Designed to International (IEC) Standards for use globally.
Follow the IEC 60127-2, Sheet 5 specification for Time lag Fuses.
Available in Cartridge and Axial lead Form .
Rohs compliant and Pb-free..

Application

Inverter in LCD backlight unit, DC side of air-conditioner, 3-phase power supplies, Higher Energy and Power Efficient applications.

Electrical Characteristics

Rated Current	% of Ampere Rating and Opening Time								
	1.5In		2.1In		2.75 In		4 In		10 I
	MIN	MAX	MIN	MAX	MIN	MAX	MIN		
500mA – 800mA	60	30	250	80	50	5	5		
2A – 3.15A	60	30	750	80	95	5	10		
4A – 6.3A	60	30	750	80	150	5	10		
8A – 16A	30	30	750	80	150	5	10		
	min	min	ms	sec	ms	sec	ms		

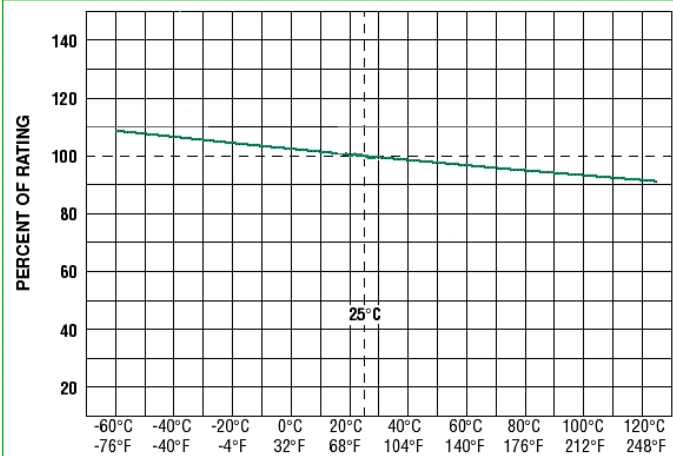
Agency Approval

Agency Approvals			Ampere Range
	Certificate No.	<u>Cartridge</u> NBK040609-JP1021A NBK040609-JP1021C NBK100408-JP1021A <u>Leaded</u> NBK040609-JP1021B NBK040609-JP1021D NBK100408-JP1021B	2A – 5A 6.3A – 12A 16A 2A – 5A 6.3A -12A 16A
	Certificate No.	<u>Cartridge</u> No.1010769 <u>Leaded</u> No.1010769	500mA-8A 500mA-8A
			500mA – 16A

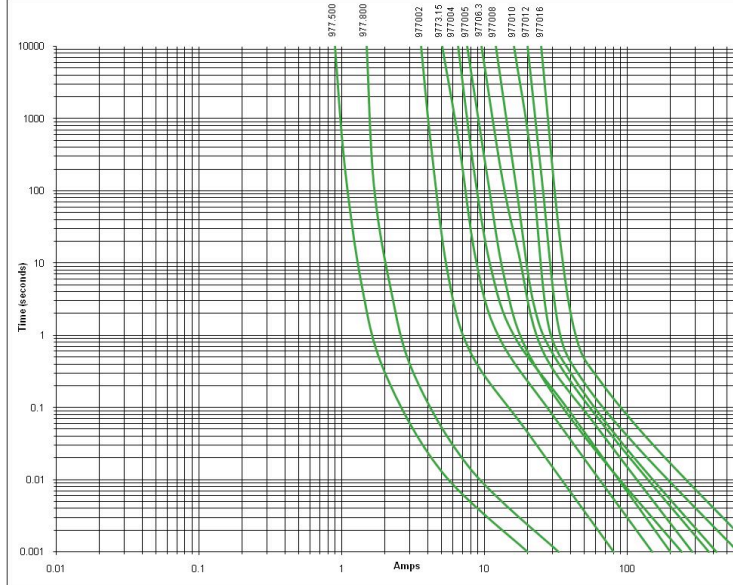
Electrical Characteristics

Amp Code	Amp Rating	Voltage Rating		Interrupting Rating	Nominal Cold Resistance (milli-ohms)	Nominal Melting I ² T (A ² Sec.)	Agency Approvals	
		AC	DC				PSE	Sem
.500	0.5	500	450	100A @500Vac 200A @450Vdc	945.0	0.3		X
.800	0.8	500	450		417.0	0.8		X
002.	2	500	450		44.5	17	X	X
3.15	3.15	500	450		27.5	58	X	X
004.	4	500	450		18.4	124	X	X
005.	5	500	450		11.9	91	X	X
06.3	6.3	500	450		9.1	188	X	X
008.	8	500	450		8.0	233	X	X
010.	10	500	450		7.2	249	X	
012.	12	500	450		5.8	388	X	
016.	16	500	450		3.9	725	X	

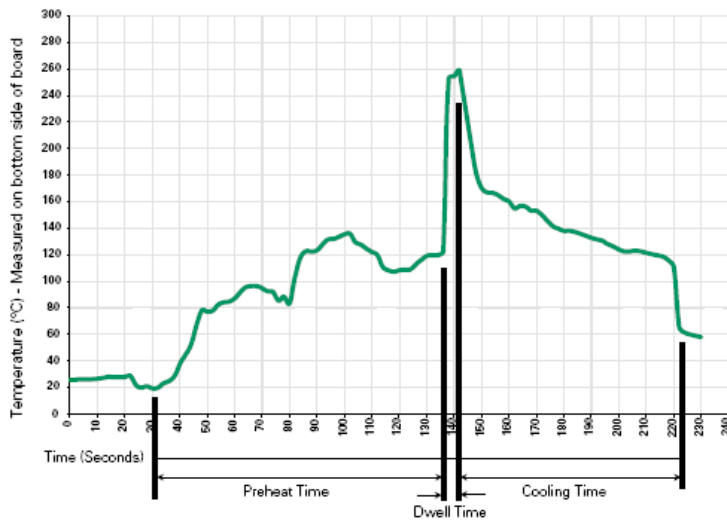
Temperature Derating Curve



Average Time Current Curves



Soldering Parameters - Wave Soldering



Recommended Process Parameters:

Wave Parameter	Lead-Free Recommendation
Preheat: (Depends on Flux Activation Temperature) (Typical Industry Recommendation)	
Temperature Minimum:	100° C
Temperature Maximum:	150° C
Preheat Time:	60-180 seconds
Solder Pot Temperature:	260° C Maximum
Solder Dwell Time:	2-5 seconds

Recommended Hand-Solder Parameters:

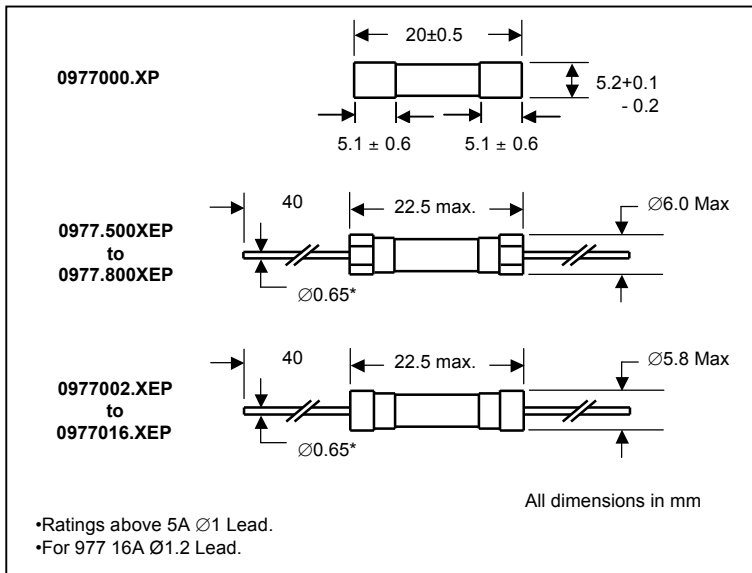
Solder Iron Temperature: 350° C +/- 5° C
 Heating Time: 5 seconds max.

Note: These devices are not recommended for IR or Convection Reflow process.

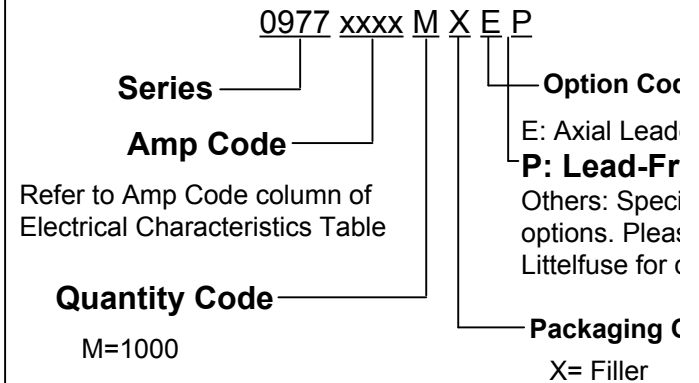
Product Characteristics

Material	Body: Ceramic Cap: Nickel Plated brass Leads: Tin Plated Copper	Operating Temperature	- 55°C to 125°C
Terminal Strength	MIL-STD-202G Method 211A, Test condition A	Thermal Shock	MIL-STD-202G Method 107G, Test condition B: (5 cycles - 65°C to 125°C)
Solderability	Reference IEC60127 Second Edition 2003-01 Annex A	Vibration	MIL-STD-202G Method 201A
Product Marking	Cap1: Brand logo, current and voltage ratings Cap2: Series and agency approval marks	Humidity	MIL-STD-202G Method 103B, Test condition A: High relative humidity(95%) and Elevated temperature(40°C) for 240 hours
		Salt Spray	MIL-STD-202G Method 101D, Test condition B

Dimensions



Part Numbering System



Packaging

Packaging Option	Packaging Specification	Quantity	Quantity & Packaging Code	Reel Si
977 Series				
Bulk	N/A	1000	MX	N/A
Bulk	N/A	1000	MXE	N/A

X-ON Electronics

Largest Supplier of Electrical and Electronic Components

Click to view similar products for [littelfuse](#) manufacturer:

Other Similar products are found below :

[V130LA10A](#) [1SMB33AT3G](#) [1SMA24AT3G](#) [59022-3-S-02-F](#) [59040-4-T-02-A](#) [59022-3-U-02-E](#) [FLEX-14-35-40](#) [SK225RDTP](#) [GTCA28-231M-R05](#) [00970019XP](#) [LX5090](#) [021502.5TXP](#) [0224006.HXUP](#) [740GN](#) [815.650](#) [FLA2.25](#) [FLSR400](#) [FLSR600](#) [900-1535-012RN](#) [901-134970699013](#) [971-670A-92WCN](#) [153.5631.5601](#) [155100](#) [1.5KE110A-B](#) [1.5KE220A](#) [1.5SMC150CA](#) [BLF006](#) [BLF008](#) [JLLS-250](#) [235.200901-152C-042RN](#) [920-401X-330BN](#) [282007](#) [LFC600602CID](#) [LFR600303CID](#) [LJCA030.X](#) [SE-GRM024](#) [980-788A-070](#) [FLNR100](#) [FLNR400](#) [FLSR200](#) [211RT](#) [224007](#) [225.250](#) [CCMR-2](#) [239002](#) [Q6012LH1LED](#) [30KPA150CA-B](#) [R460.375](#)