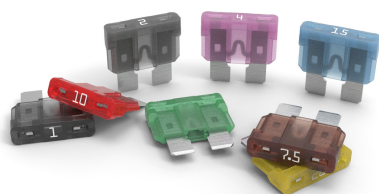


ATO® Blade Fuses - Aftermarket

Rated 32V



Specifications

Voltage Rating:	32 V DC
Interrupting Rating:	1000 A @ 32 V DC
Recommended Environmental Temperature:	-40 °C to +125 °C
Terminals Material:	Tin-plated*
Housing Material:	PA66 (UL 94 Flammability rating of V-2)
Net Weight Per Fuse:	1.4 g ± 5 %
Comply With:	SAE J1284 and ISO 8820-3
UL Listed:	File AU1410
CSA Certified:	File No. 29862

*Tin plating's temperature limit is +130 °C.

Description

Developed by Littelfuse for the automotive industry, the ATO® fuse has become the original equipment circuit protection standard for foreign and domestic automobiles and trucks. Readily identifiable and easily replaced, this fuse can be specified for a variety of low voltage electronic applications. It is currently found on most cars, trucks, buses and off the road vehicles worldwide. Features Littelfuse designed industry standard color coding to indicate amp rating.

Applications

- Cars
- Trucks
- SUVs
- Offroad vehicles
- Buses
- Watercraft as approved by Littelfuse®

Features & Benefits

- Color coding indicates amperage rating
- See-through housings make it easier to see when fuses blow
- Checkpoints on top make it possible to measure resistance without removing the fuse
- High-contrast ampere stamps on housings aid identification
- Simple to install and remove

Ordering Information

COLOR CODE	CURRENT RATING (A)	BOXED		CARDED		PLUS PACK
		MATERIAL #	CATALOG #	MATERIAL #	CATALOG #	MATERIAL #
Black	1A	0ATO001.V	AT01	0ATO001.VP	AT01BP	0ATO001.ZXPRO
Gray	2A	0ATO002.V	AT02	0ATO002.VP	AT02BP	0ATO002.ZXPRO
Violet	3A	0ATO003.V	AT03	0ATO003.VP	AT03BP	0ATO003.ZXPRO
Pink	4A	0ATO004.V	AT04	0ATO004.VP	AT04BP	0ATO004.ZXPRO
Tan	5A	0ATO005.V	AT05	0ATO005.VP	AT05BP	0ATO005.ZXPRO
Brown	7.5A	0ATO007.5V	AT07.5	0ATO007.5VP	AT07.5BP	0ATO007.5ZXPRO
Red	10A	0ATO010.V	AT010	0ATO010.VP	AT010BP	0ATO010.ZXPRO

COLOR CODE	CURRENT RATING (A)	BOXED		CARDED		PLUS PACK
		MATERIAL #	CATALOG #	MATERIAL #	CATALOG #	MATERIAL #
Blue	15A	0ATO015.V	AT015	0ATO015.VP	AT015BP	0ATO015.ZXPRO
Yellow	20A	0ATO020.V	AT020	0ATO020.VP	AT020BP	0ATO020.ZXPRO
Clear	25A	0ATO025.V	AT025	0ATO025.VP	AT025BP	0ATO025.ZXPRO
Green	30A	0ATO030.V	AT030	0ATO030.VP	AT030BP	0ATO030.ZXPRO
Orange	40A	0ATO040.V	AT040	0ATO040.VP	AT040BP	---

Please refer to the Littelfuse Aftermarket catalog for packaging information.

ATO® Blade Fuses - Aftermarket

Rated 32V

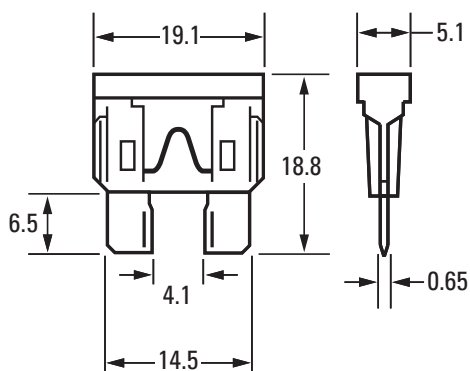
Ratings

Part Number	Current Rating (A)	Housing Material Color	Test Cable Size (mm ²)	Typ. Voltage Drop (mV)	Typ. Cold Resistance (mΩ)	Typ. I ² t (A ² s)
0ATO001_	1	Black	0.35	176	123	0.4
0ATO002_	2	Grey	0.35	141	53.5	1.4
0ATO003_	3	Purple	0.35	137	31.1	7.4
0ATO004_	4	Pink	0.35	136	22.8	14
0ATO005_	5	Brown	0.5	128	17.85	26
0ATO07.5_	7.5	Dark Brown	0.75	116	10.91	60
0ATO010_	10	Red	1	109	7.70	115
0ATO015_	15	Blue	1.5	102	4.80	340
0ATO020_	20	Yellow	2.5	98	3.38	520
0ATO025_	25	Light Orange	2.5	92	2.52	1,000
0ATO030_	30	Green	4	84	1.97	1,500
0ATO035_	35	Dark Green	6	87	1.61	2,300
0ATO040_	40	Orange	6	96	1.44	3,300

The typical I²t is an average value calculated from the breaking capacity tests by using the melting time before the arcing occurs.

Dimensions

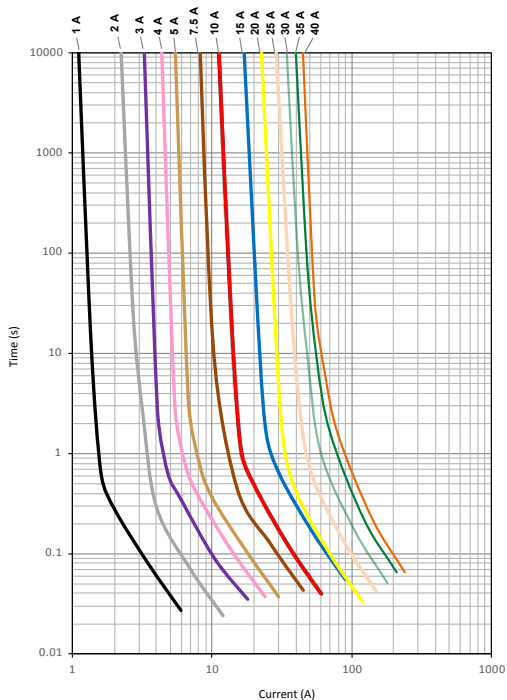
Dimensions in mm for reference only.
See outline drawing for dimensions and tolerances.



ATO® Blade Fuses - Aftermarket

Rated 32V

Time-Current Characteristic Curves

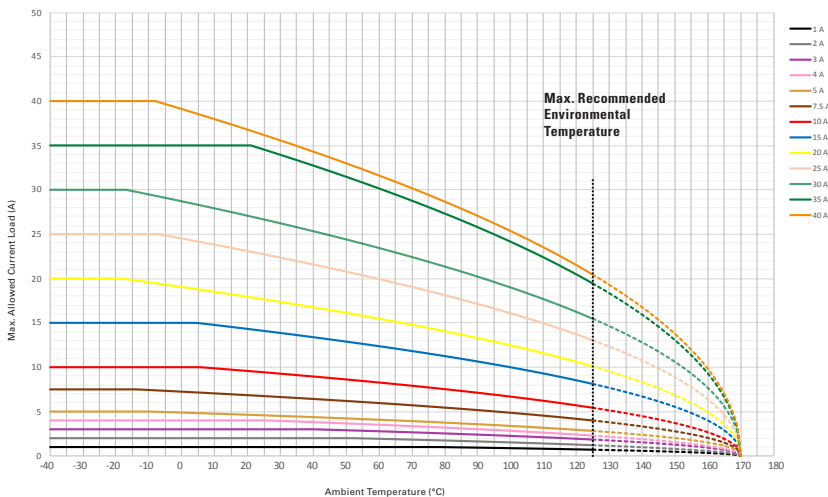


Time-Current Characteristics

% of Rating	Current Rating (A)	Opening Time Min. / Max. (s)
100	35-40	360,000 / ∞
110	1-30	360,000 / ∞
135	1-2	0.35 / 600
	3-40	0.750 / 600
160	1-40	0.250 / 50
	3-40	0.15 / 5
200	1-2	0.1 / 5
	3-40	0.08 / 0.5
350	1-2	0.02 / 0.5
	3-40	0.1 max
600	1-30	0.15 max
	35-40	0.15 max

Typical Derating of Fuse Melting Element

Temperature security margin is 20 %.
 Wire cross-section and fixture test setup refer to ISO 8820-3.
 Please contact Littelfuse for details regarding derating test setup.



Temperature Table

	Max. allowed current load (A) at ambient temperature (typical derating)						
	-40 °C	0 °C	20 °C	65 °C	85 °C	110 °C	125 °C
1 A	1	1	1	1	1	1	1
2 A	2	2	2	2	2	1	1
3 A	3	3	3	3	2	2	2
4 A	4	4	4	3	3	3	2
5 A	5	5	5	4	4	3	3
7.5 A	8	7	7	6	5	5	4
10 A	10	10	10	8	7	6	5
15 A	15	15	14	12	11	9	8
20 A	20	19	18	15	14	12	10
25 A	25	25	23	19	18	15	13
30 A	30	29	27	23	21	18	15
35 A	35	35	35	29	27	22	19
40 A	40	39	37	31	28	24	20

Derating curves may change depending on the final condition of the application (terminals' characteristics, wire size, etc.). Please ask Littelfuse® for more information.

X-ON Electronics

Largest Supplier of Electrical and Electronic Components

Click to view similar products for [Automotive Fuses](#) category:

Click to view products by [Littelfuse](#) manufacturer:

Other Similar products are found below :

[ATM-4LP](#) [299080](#) [HBO-70](#) [0287015](#) [FMM-15](#) [0297003.WXT](#) [0695060.PXPS](#) [MRBF-075](#) [MRBF-300](#) [MRBF-200](#) [ANX80-UL-20A](#)
[ANX80-UL-25A](#) [ANX80-UL-30A](#) [ANX80-UL-35A](#) [ANX80-UL-40A](#) [ANT-I-3A](#) [APM-I-25A](#) [APR-10A](#) [APR-25A](#) [ANX58-UL-20A](#)
[ANX58-UL-25A](#) [ANX58-UL-35A](#) [ANX58-UL-40A](#) [ANX58-UL-50A](#) [ANM-4A](#) [ANM-25A](#) [ANE-175A](#) [APM-25A](#) [APM-4A](#) [ACB2-PL-](#)
[15A](#) [ACB2-PL-25A](#) [ANM58-15A](#) [ANM58-5A](#) [FMX-LP-20A](#) [MIDA-50A](#) [0695040.PXP](#) [0327030.YX2T](#) [0298500.UX1M8](#) [0299070.ZXT](#)
[20A32V](#) [ATM-1](#) [MRBF-040](#) [MRBF-100](#) [MRBF-250](#) [MRBF-050](#) [MRBF-060](#) [CFCOVER-2R](#) [MRBF-030](#) [3298600.ZXM10](#) [AMG-80](#)