

INLINE FUSE HOLDER FOR ATO® STYLE BLADE FUSE



Description

Used with ATO®/ FKS Fuse. Supplied with two 4" / 102mm wire leads.

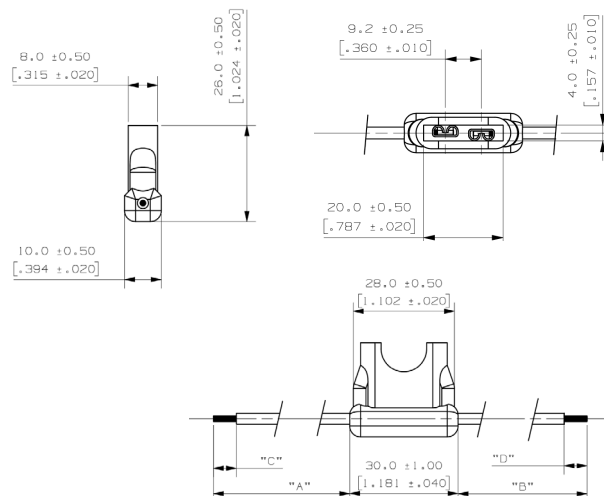
Ordering Information

Part Number	Package Size
0FHA0001ZXJ	1000
0FHA0002ZXJ	1000

Dimensions

Dimensions in mm

RoHS



Ratings

Part Number	Description	Fuse Rating
0FHA0001_	16AWG/1.3mm ² stranded black wire	20A @ 32V DC
0FHA0002_	12AWG/3.3mm ² stranded orange wire	30A @ 32V DC

Wire length, color and diameter can be customized upon request. Customization requires minimum order quantities depending on nature of modifications. Please contact your sales representative for details.

INLINE SPLASHPROOF FUSE HOLDER

for ATO® Style Blade Fuse



Description

Used with ATO® / FKS Fuse. Supplied with two 4" / 102mm wire leads. Includes protective cover for harsh environment.

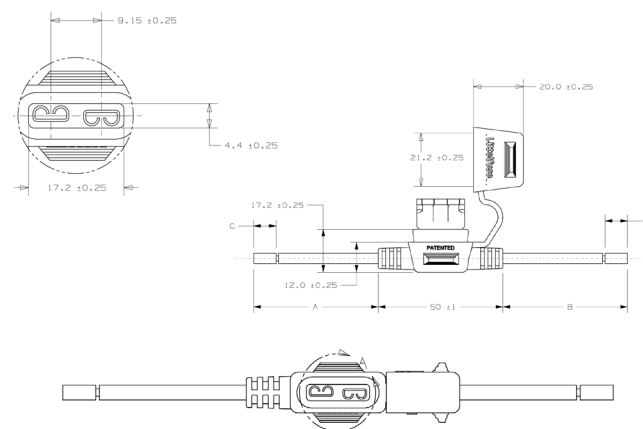
Ordering Information

Part Number	Package Size
FHAC0001ZXJ	1000
FHAC0002ZXJ	1000

Dimensions

Dimensions in mm

RoHS



Ratings

Part Number	Description	Fuse Rating
FHAC0001ZXJ	16AWG/1.3mm ² stranded black wire	20A @ 32V DC
FHAC0002ZXJ	12AWG/3.3mm ² stranded orange wire	30A @ 32V DC

Wire length, color and diameter can be customized upon request. Customization requires minimum order quantities depending on nature of modifications. Please contact your sales representative for details.

X-ON Electronics

Largest Supplier of Electrical and Electronic Components

Click to view similar products for [Fuse Holder](#) category:

Click to view products by [Littelfuse](#) manufacturer:

Other Similar products are found below :

[570-290-741P40](#) [570-290-751P40](#) [020417G](#) [020418E](#) [6R30A1B](#) [F600A3B](#) [80910030](#) [8601.2020](#) [G15A2SPQ](#) [9-3557-GP REV A](#) [HDJ-B](#)
[R6J30A3S](#) [HFH-1](#) [RF30A2B](#) [RF30A3SP](#) [15600-08-10](#) [BK/FHN19G](#) [BK/HHM](#) [BK/HKP-CCHH](#) [BK/HKP-JJ](#) [BK/HTJ-LES-FUSE](#) [HMG-](#)
[241](#) [HTJ-LES-FUSE](#) [C4044-1](#) [2086-1](#) [2193](#) [2602](#) [2650](#) [178.000100](#) [FHN31G1](#) [T30A2B](#) [G4PB8](#) [2660](#) [2799](#) [CQ-209V](#) [HKP-CCHH](#)
[R6F30A2S](#) [341001A](#) [345621A](#) [CVRMCC](#) [4202](#) [4407](#) [4408](#) [4413](#) [4423](#) [4532](#) [4537](#) [TSD1404-12](#) [BK/FHN31G1](#) [BK/HC-5](#)