

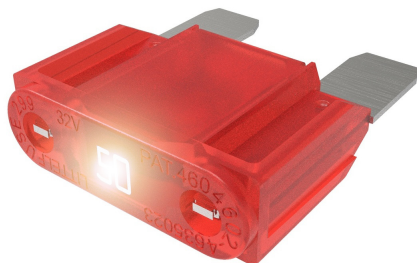
Indicator MAXI Smart Glow fuse

Rated 32 V DC

RoHS

Description

Each MAXI™ Smart Glow 32 V blade fuse includes an LED indicator light that comes on when the fuse blows. Like other MAXI fuses, it employs diffusion pill technology to provide time-delayed/SLO-BLO® circuit protection and low heat dissipation.



Features & Benefits

- Available with ampere ratings of 20 A to 100 A
- Interrupting ratings of 1 kA at 32 VDC
- Operate at up to 125 °C with terminals reaching 150 °C at contact points
- Silver-plated zinc alloy terminals
- PA66 housings with UL flammability ratings of V-2
- Net weight 5.7 g ±5 % per fuse
- Comply with SAE J1888, SAE 2576, and ISO 8820-3:2002(E)
- Certified lead-free and RoHS compliant
- Color coding indicates ampere rating
- High-contrast ampere rating stamps aid identification
- See-through housings make it easier to see when fuses blow

Applications

- Cars and SUVs
- Trucks
- Buses
- Offroad vehicles
- Watercraft as approved by Littelfuse

Ratings

Color Code	Current Rating (A)	Carded Material #
Yellow	20	0MAX020.X
Green	30	0MAX030.X
Orange	40	0MAX040.X
Red	50	0MAX050.X
Blue	60	0MAX060.X
Tan	70	0MAX070.X
Clear	80	0MAX080.X
Purple	100	-

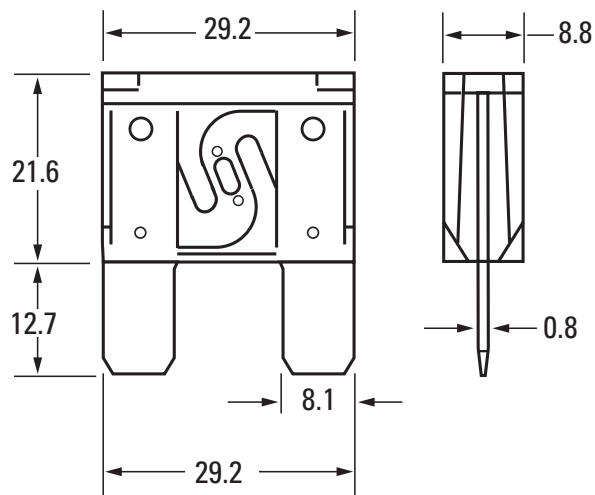
**SMART
GLOW** Fuse®

Indicator MAXI Smart Glow fuse

Rated 32 V DC

Dimensions

Dimensions in mm. Please refer to the outline drawing for dimensions and tolerances.



X-ON Electronics

Largest Supplier of Electrical and Electronic Components

Click to view similar products for [Automotive Fuses](#) category:

Click to view products by [Littelfuse](#) manufacturer:

Other Similar products are found below :

[ATM-4LP](#) [299080](#) [HBO-70](#) [0287015](#) [FMM-15](#) [0297003.WXT](#) [0695060.PXPS](#) [MRBF-075](#) [MRBF-300](#) [MRBF-200](#) [ANX80-UL-20A](#)
[ANX80-UL-25A](#) [ANX80-UL-30A](#) [ANX80-UL-35A](#) [ANX80-UL-40A](#) [ANT-I-3A](#) [APM-I-25A](#) [APR-10A](#) [APR-25A](#) [ANX58-UL-20A](#)
[ANX58-UL-25A](#) [ANX58-UL-35A](#) [ANX58-UL-40A](#) [ANX58-UL-50A](#) [ANM-4A](#) [ANM-25A](#) [ANE-175A](#) [APM-25A](#) [APM-4A](#) [ACB2-PL-](#)
[15A](#) [ACB2-PL-25A](#) [ANM58-15A](#) [ANM58-5A](#) [FMX-LP-20A](#) [MIDA-50A](#) [0695040.PXP](#) [0327030.YX2T](#) [0298500.UX1M8](#) [0299070.ZXT](#)
[20A32V](#) [ATM-1](#) [MRBF-040](#) [MRBF-100](#) [MRBF-250](#) [MRBF-050](#) [MRBF-060](#) [CFCOVER-2R](#) [MRBF-030](#) [3298600.ZXM10](#) [AMG-80](#)