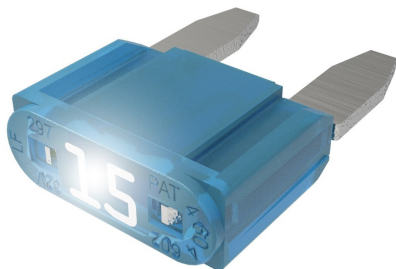


Indicator MINI Smart Glow fuse

Rated 32 V DC

RoHS



Description

Each fast-acting MINI® Smart Glow blade fuse features an LED indicator light that comes on when the fuse blows. Like other MINI fuses, it boasts a miniature design that allows automakers to pack more circuit protection into less space. Despite their light weight, MINI fuses perform reliably in adverse environments and at extreme temperatures.

Features & Benefits

- Available with ampere ratings of 3 A to 30 A
- Interrupting ratings of 1 kA at 32 VDC
- Operate at up to 125 °C
- Tin-plated zinc alloy terminals
- PA66 housings with UL flammability ratings of V-2
- Net weight 0.57 g ±5 % per fuse
- Comply with SAE J2077 and ISO 8820-3
- UL Listed
- Certified lead-free and RoHS compliant
- Color coding indicates ampere rating
- High-contrast ampere rating stamps aid identification
- See-through housings make it easier to see when fuses blow

Applications

- Cars and SUVs
- Trucks
- Buses
- Offroad vehicles
- Watercraft as approved by Littelfuse

Ratings

Color Code	Current Rating (A)	Material #	Carded	
				Catalog #
Gray	2	—		—
Violet	3	OMIN003.VPGLO		10-0003
Pink	4	—		—
Tan	5	OMIN005.VPGLO		10-1000
Brown	7.5A	OMIN007.5VPGLO		10-0007
Red	10A	OMIN010.VPGLO		10-1001
Blue	15A	OMIN015.VPGLO		10-1002
Yellow	20A	OMIN020.VPGLO		10-1003
Clear	25A	OMIN025.VPGLO		10-1004
Green	30A	OMIN030.VPGLO		10-1005

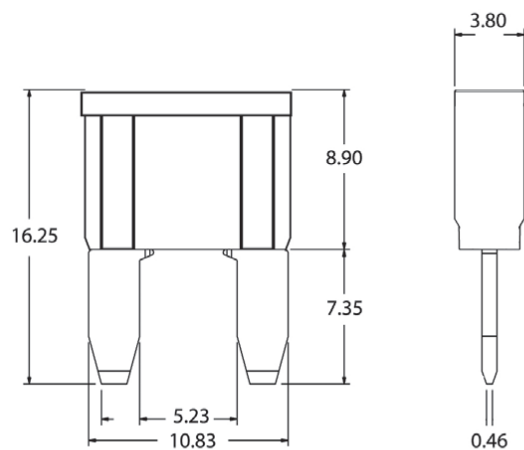
**SMART
GLOW** Fuse®

Indicator MINI Smart Glow fuse

Rated 32 V DC

Dimensions

Dimensions in mm. Please refer to the outline drawing for dimensions and tolerances.



**SMART
GLOW** Fuse®

X-ON Electronics

Largest Supplier of Electrical and Electronic Components

Click to view similar products for [Automotive Fuses](#) category:

Click to view products by [Littelfuse](#) manufacturer:

Other Similar products are found below :

[ATM-4LP](#) [299080](#) [HBO-70](#) [0287015](#) [FMM-15](#) [0297003.WXT](#) [0695060.PXPS](#) [MRBF-075](#) [MRBF-300](#) [MRBF-200](#) [ANX80-UL-20A](#)
[ANX80-UL-25A](#) [ANX80-UL-30A](#) [ANX80-UL-35A](#) [ANX80-UL-40A](#) [ANT-I-3A](#) [APM-I-25A](#) [APR-10A](#) [APR-25A](#) [ANX58-UL-20A](#)
[ANX58-UL-25A](#) [ANX58-UL-35A](#) [ANX58-UL-40A](#) [ANX58-UL-50A](#) [ANM-4A](#) [ANM-25A](#) [ANE-175A](#) [APM-25A](#) [APM-4A](#) [ACB2-PL-](#)
[15A](#) [ACB2-PL-25A](#) [ANM58-15A](#) [ANM58-5A](#) [FMX-LP-20A](#) [MIDA-50A](#) [0695040.PXP](#) [0327030.YX2T](#) [0298500.UX1M8](#) [0299070.ZXT](#)
[20A32V](#) [ATM-1](#) [MRBF-040](#) [MRBF-100](#) [MRBF-250](#) [MRBF-050](#) [MRBF-060](#) [CFCOVER-2R](#) [MRBF-030](#) [3298600.ZXM10](#) [AMG-80](#)