

Telecommunications Fuses

TLS Series

Compact Current Limiting Telecommunications Fuse



Description

Littelfuse TLS series fuses are designed specifically for the protection of telecommunications equipment. TLS fuses have been engineered to operate up to 170 V dc to provide current-limiting short-circuit protection for cables and components found in the dc power distribution circuits of telecommunications systems. The compact design and multiple mounting configurations of the TLS series allow it to be used in a variety of applications.

Features & Benefits

FEATURES	BENEFITS
Current-limiting	Provides quick response to short circuit events
Multiple mounting configurations	Suitable for a variety of applications

Applications

- Telecommunication equipment protection
- Short-circuit current protection

Specifications

Voltage Rating	170 V dc
Ampere Range	1–125 A
Interrupting Rating	100 kA
Applicable Standards	UL 248-1 IEC-60269-4
Material	Body: glass melamine Caps: silver-plated brass
Environmental	RoHS Compliant, lead (Pb) free
Country of Origin	Mexico

Certification & Compliance

cURus	File: E71611
CE	EU_DOC-TLS_210921_0
TUV	Cert No: R 50494871 (70 kA IR)

Telecommunications Fuses

TLS Series

Accessories

LFTD series disconnect switches

LFT30060 fuse holder for TLS series cartridge style fuse

Contact factory for more information.

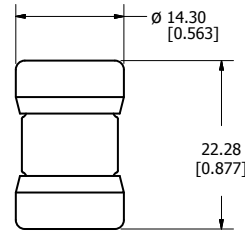
Ordering Information

Ferrule Version - TLS

AMPERE	CATALOG NUMBER	PRODUCT MARKING	PACKING QUANTITY	ORDERING NUMBER	UPC CODE
1	TLS001	TLS 1A	10	OTLS001.T	079458 05375
2	TLS002	TLS 2A	10	OTLS002.T	079458 05592
3	TLS003	TLS 3A	10	OTLS003.T	079458 05376
5	TLS005	TLS 5A	10	OTLS005.T	079458 05377
6	TLS006	TLS 6A	10	OTLS006.T	079458 05378
10	TLS010	TLS 10A	10	OTLS010.T	079458 05379
15	TLS015	TLS 15A	10	OTLS015.T	079458 05380
20	TLS020	TLS 20A	10	OTLS020.T	079458 05381
25	TLS025	TLS 25A	10	OTLS025.T	079458 05382
30	TLS030	TLS 30A	10	OTLS030.T	079458 05383
35	TLS035	TLS 35A	10	OTLS035.T	079458 05573
40	TLS040	TLS 40A	10	OTLS040.T	079458 05384
50	TLS050	TLS 50A	10	OTLS050.T	079458 05385
60	TLS060	TLS 60A	10	OTLS060.T	079458 05386
70	TLS070	TLS 70A	10	OTLS070.T	079458 05387
80	TLS080	TLS 80A	10	OTLS080.T	079458 06160
90	TLS090	TLS 90A	10	OTLS090.T	079458 06161
100	TLS100	TLS 100A	10	OTLS100.T	079458 06162
110	TLS110	TLS 110A	10	OTLS110.T	079458 08788
125	TLS125	TLS 125A	10	OTLS125.T	079458 08789

Dimensions

Millimeters [inches]



Telecommunications Fuses

TLS Series

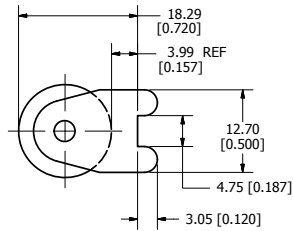
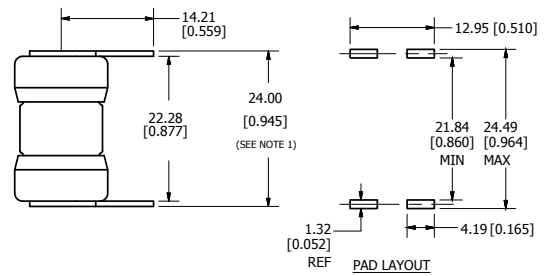
Ordering Information

Solder Mount - LS Version

AMPERE	CATALOG NUMBER	PRODUCT MARKING	PACKING QUANTITY	ORDERING NUMBER	UPC CODE
1	TLS001LS	TLS 1A-LS	10	OTLS001.TXLS	079458 10216
2	TLS002LS	TLS 2A-LS	10	OTLS002.TXLS	079458 10217
3	TLS003LS	TLS 3A-LS	10	OTLS003.TXLS	079458 10218
5	TLS005LS	TLS 5A-LS	10	OTLS005.TXLS	079458 10219
6	TLS006LS	TLS 6A-LS	10	OTLS006.TXLS	079458 10220
10	TLS010LS	TLS 10A-LS	10	OTLS010.TXLS	079458 10221
15	TLS015LS	TLS 15A-LS	10	OTLS015.TXLS	079458 10222
20	TLS020LS	TLS 20A-LS	10	OTLS020.TXLS	079458 10223
25	TLS025LS	TLS 25A-LS	10	OTLS025.TXLS	079458 10224
30	TLS030LS	TLS 30A-LS	10	OTLS030.TXLS	079458 10225
35	TLS035LS	TLS 35A-LS	10	OTLS035.TXLS	079458 10226
40	TLS040LS	TLS 40A-LS	10	OTLS040.TXLS	079458 10227
50	TLS050LS	TLS 50A-LS	10	OTLS050.TXLS	079458 10228
60	TLS060LS	TLS 60A-LS	10	OTLS060.TXLS	079458 10229
70	TLS070LS	TLS 70A-LS	10	OTLS070.TXLS	079458 10230
80	TLS080LS	TLS 80A-LS	10	OTLS080.TXLS	079458 16221
90	TLS090LS	TLS 90A-LS	10	OTLS090.TXLS	079458 16222
100	TLS100LS	TLS 100A-LS	10	OTLS100.TXLS	079458 16223

Dimensions

Millimeters [inches]



NOTE:
1. MEASUREMENT TAKEN AT END OF TERMINALS.

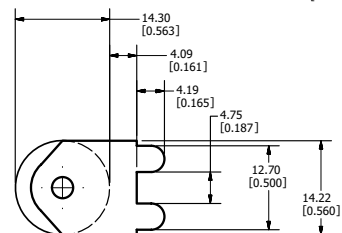
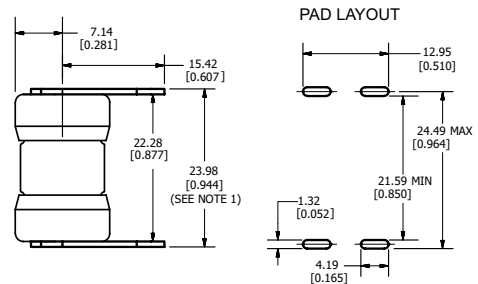
Ordering Information

Solder Mount - LSE Version

AMPERE	CATALOG NUMBER	PRODUCT MARKING	PACKING QUANTITY	ORDERING NUMBER	UPC CODE
35	TLS035LSE	TLS 35A-LSE	10	OTLS035.TXLSE	079458 22179
			250	OTLS035.ZXLSE	079458 24397
40	TLS040LSE	TLS 40A-LSE	10	OTLS040.TXLSE	079458 22180
			250	OTLS040.ZXLSE	079458 24398
50	TLS050LSE	TLS 50A-LSE	10	OTLS050.TXLSE	079458 22181
			250	OTLS050.ZXLSE	079458 24399
60	TLS060LSE	TLS 60A-LSE	10	OTLS060.TXLSE	079458 22182
			250	OTLS060.ZXLSE	079458 24400
70	TLS070LSE	TLS 70A-LSE	10	OTLS070.TXLSE	079458 22183
			250	OTLS070.ZXLSE	079458 24401
80	TLS080LSE	TLS 80A-LSE	10	OTLS080.TXLSE	079458 22184
			250	OTLS080.ZXLSE	079458 24402
90	TLS090LSE	TLS 90A-LSE	10	OTLS090.TXLSE	079458 22185
			250	OTLS090.ZXLSE	079458 24403
100	TLS100LSE	TLS 100A-LSE	10	OTLS100.TXLSE	079458 22186
			250	OTLS100.ZXLSE	079458 24404
110	TLS110LSE	TLS 110A-LSE	10	OTLS110.TXLSE	079458 22187
			250	OTLS110.ZXLSE	079458 24405
125	TLS125LSE	TLS 125A-LSE	10	OTLS125.TXLSE	079458 97400
			250	OTLS125.ZXLSE	079458 24406

Dimensions

Millimeters [inches]



NOTE 1: Measurement taken at end of terminals.

Telecommunications Fuses

TLS Series

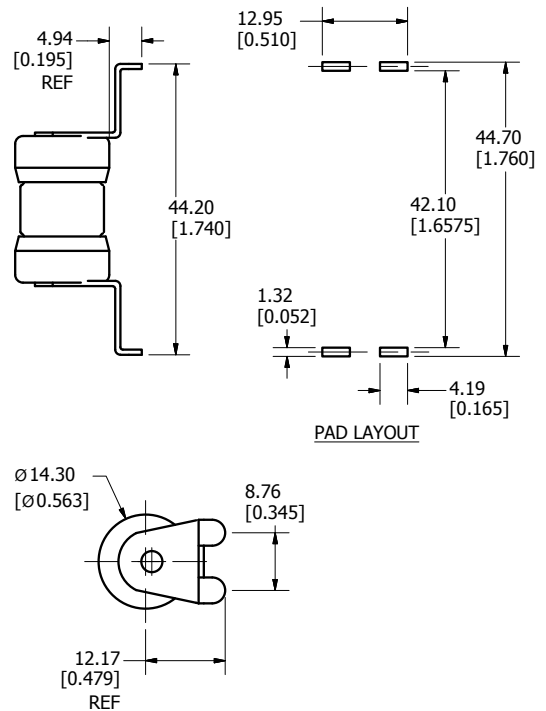
Ordering Information

Solder Mount - L Version

AMPERE	CATALOG NUMBER	PRODUCT MARKING	PACKING QUANTITY	ORDERING NUMBER	UPC CODE
1	TLS001L	TLS 1A-L	10	OTLS001.TXL	079458 05574
2	TLS002L	TLS 2A-L	10	OTLS002.TXL	079458 05593
3	TLS003L	TLS 3A-L	10	OTLS003.TXL	079458 05575
5	TLS005L	TLS 5A-L	10	OTLS005.TXL	079458 05576
6	TLS006L	TLS 6A-L	10	OTLS006.TXL	079458 05577
10	TLS010L	TLS 10A-L	10	OTLS010.TXL	079458 05578
15	TLS015L	TLS 15A-L	10	OTLS015.TXL	079458 05579
20	TLS020L	TLS 20A-L	10	OTLS020.TXL	079458 05580
25	TLS025L	TLS 25A-L	10	OTLS025.TXL	079458 05581
30	TLS030L	TLS 30A-L	10	OTLS030.TXL	079458 05582
35	TLS035L	TLS 35A-L	10	OTLS035.TXL	079458 05583
40	TLS040L	TLS 40A-L	10	OTLS040.TXL	079458 05584
50	TLS050L	TLS 50A-L	10	OTLS050.TXL	079458 05585
60	TLS060L	TLS 60A-L	10	OTLS060.TXL	079458 05586
70	TLS070L	TLS 70A-L	10	OTLS070.TXL	079458 05587
80	TLS080L	TLS 80A-L	10	OTLS080.TXL	079458 11382
90	TLS090L	TLS 90A-L	10	OTLS090.TXL	079458 11383
100	TLS100L	TLS 100A-L	10	OTLS100.TXL	079458 11384

Dimensions

Millimeters [inches]



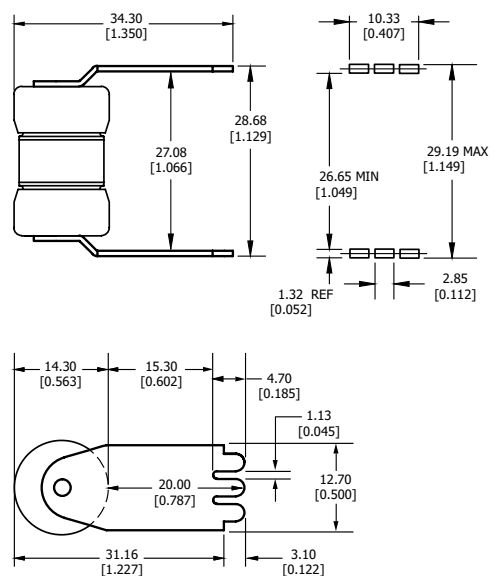
Ordering Information

Solder Mount- LSA Version

AMPERE	CATALOG NUMBER	PRODUCT MARKING	PACKING QUANTITY	ORDERING NUMBER	UPC CODE
1	TLS001LSA	TLS 1A-LSA	20	OTLS001.SLSA	079458 82640
2	TLS002LSA	TLS 2A-LSA	20	OTLS002.SLSA	079458 82641
3	TLS003LSA	TLS 3A-LSA	20	OTLS003.SLSA	079458 82642
5	TLS005LSA	TLS 5A-LSA	20	OTLS005.SLSA	079458 82643
6	TLS006LSA	TLS 6A-LSA	20	OTLS006.SLSA	079458 82644
10	TLS010LSA	TLS 10A-LSA	20	OTLS010.SLSA	079458 82645
15	TLS015LSA	TLS 15A-LSA	20	OTLS015.SLSA	079458 82646
20	TLS020LSA	TLS 20A-LSA	20	OTLS020.SLSA	079458 82647
25	TLS025LSA	TLS 25A-LSA	20	OTLS025.SLSA	079458 82648
30	TLS030LSA	TLS 30A-LSA	20	OTLS030.SLSA	079458 82649
35	TLS035LSA	TLS 35A-LSA	20	OTLS035.SLSA	079458 82650
40	TLS040LSA	TLS 40A-LSA	20	OTLS040.SLSA	079458 82651
50	TLS050LSA	TLS 50A-LSA	20	OTLS050.SLSA	079458 96783
60	TLS060LSA	TLS 60A-LSA	20	OTLS060.SLSA	079458 82652
70	TLS070LSA	TLS 70A-LSA	20	OTLS070.SLSA	079458 82653
80	TLS080LSA	TLS 80A-LSA	20	OTLS080.SLSA	079458 82654
90	TLS090LSA	TLS 90A-LSA	20	OTLS090.SLSA	079458 82655
100	TLS100LSA	TLS 100A-LSA	20	OTLS100.SLSA	079458 82656

Dimensions

Millimeters [inches]



Telecommunications Fuses

TLS Series

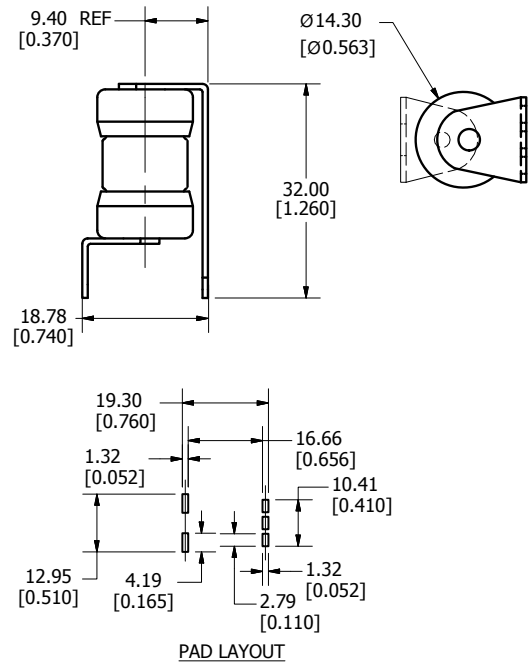
Ordering Information

Solder Mount - V Version

AMPERE	CATALOG NUMBER	PRODUCT MARKING	PACKING QUANTITY	ORDERING NUMBER	UPC CODE
1	TLS001V	TLS 1A-V	10	OTLS001.TXV	079458 06184
2	TLS002V	TLS 2A-V	10	OTLS002.TXV	079458 06185
3	TLS003V	TLS 3A-V	10	OTLS003.TXV	079458 06186
5	TLS005V	TLS 5A-V	10	OTLS005.TXV	079458 06187
6	TLS006V	TLS 6A-V	10	OTLS006.TXV	079458 06188
10	TLS010V	TLS 10A-V	10	OTLS010.TXV	079458 06189
15	TLS015V	TLS 15A-V	10	OTLS015.TXV	079458 06190
20	TLS020V	TLS 20A-V	10	OTLS020.TXV	079458 06191
25	TLS025V	TLS 25A-V	10	OTLS025.TXV	079458 06192
30	TLS030V	TLS 30A-V	10	OTLS030.TXV	079458 06193
35	TLS035V	TLS 35A-V	10	OTLS035.TXV	079458 06194
40	TLS040V	TLS 40A-V	10	OTLS040.TXV	079458 06195
50	TLS050V	TLS 50A-V	10	OTLS050.TXV	079458 06196
60	TLS060V	TLS 60A-V	10	OTLS060.TXV	079458 06197
70	TLS070V	TLS 70A-V	10	OTLS070.TXV	079458 06198
80	TLS080V	TLS 80A-V	10	OTLS080.TXV	079458 10801
90	TLS090V	TLS 90A-V	10	OTLS090.TXV	079458 10802
100	TLS100V	TLS 100A-V	10	OTLS100.TXV	079458 10803

Dimensions

Millimeters [inches]



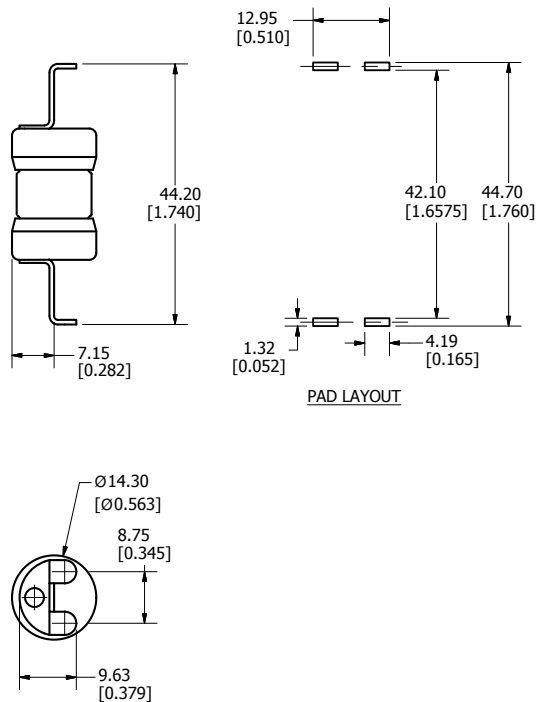
Ordering Information

Solder Mount - MB Version

AMPERE	CATALOG NUMBER	PRODUCT MARKING	PACKING QUANTITY	ORDERING NUMBER	UPC CODE
1	TLS001MB	TMB 1A-MB	10	OTLS001.TXMB	079458 80126
2	TLS002MB	TMB 2A-MB	10	OTLS002.TXMB	079458 80127
3	TLS003MB	TMB 3A-MB	10	OTLS003.TXMB	079458 80128
5	TLS005MB	TMB 5A-MB	10	OTLS005.TXMB	079458 80129
6	TLS006MB	TMB 6A-MB	10	OTLS006.TXMB	079458 80130
10	TLS010MB	TMB 10A-MB	10	OTLS010.TXMB	079458 80131
15	TLS015MB	TMB 15A-MB	10	OTLS015.TXMB	079458 80132
20	TLS020MB	TMB 20A-MB	10	OTLS020.TXMB	079458 80133
25	TLS025MB	TMB 25A-MB	10	OTLS025.TXMB	079458 80134
30	TLS030MB	TMB 30A-MB	10	OTLS030.TXMB	079458 80135
35	TLS035MB	TMB 35A-MB	10	OTLS035.TXMB	079458 80136
40	TLS040MB	TMB 40A-MB	10	OTLS040.TXMB	079458 11668
50	TLS050MB	TMB 50A-MB	10	OTLS050.TXMB	079458 80137
60	TLS060MB	TMB 60A-MB	10	OTLS060.TXMB	079458 80138
70	TLS070MB	TMB 70A-MB	10	OTLS070.TXMB	079458 80139
80	TLS080MB	TMB 80A-MB	10	OTLS080.TXMB	079458 80140
90	TLS090MB	TMB 90A-MB	10	OTLS090.TXMB	079458 80141
100	TLS100MB	TMB 100A-MB	10	OTLS100.TXMB	079458 80142

Dimensions

Millimeters [inches]



Telecommunications Fuses

TLS Series

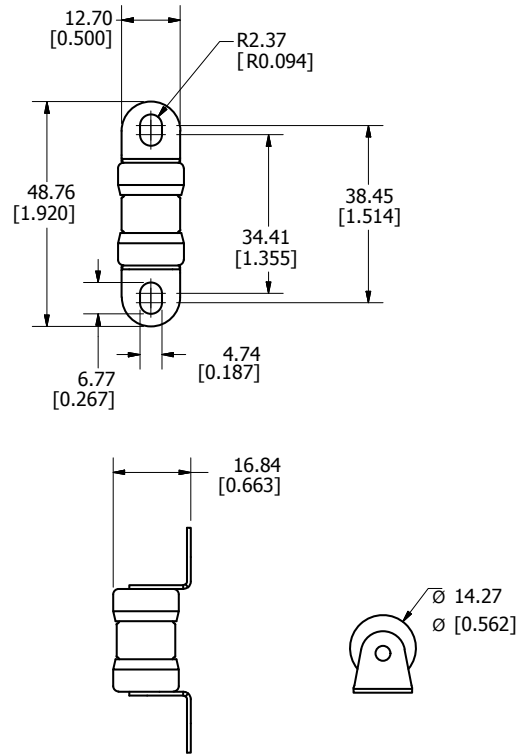
Ordering Information

Bolt-In Mount - LR Version

AMPERE	CATALOG NUMBER	PRODUCT MARKING	PACKING QUANTITY	ORDERING NUMBER	UPC CODE
35	TLS035LR	TLS 35A-LR	10	OTLS035.TXLR	079458 24407
			330	OTLS035.ZXLR	079458 26623
40	TLS040LR	TLS 40A-LR	10	OTLS040.TXLR	079458 24408
			330	OTLS040.ZXLR	079458 22624
50	TLS050LR	TLS 50A-LR	10	OTLS050.TXLR	079458 24968
			330	OTLS050.ZXLR	079458 26625
60	TLS060LR	TLS 60A-LR	10	OTLS060.TXLR	079458 24969
			330	OTLS060.ZXLR	079458 26626
70	TLS070LR	TLS 70A-LR	10	OTLS070.TXLR	079458 24970
			330	OTLS070.ZXLR	079458 26627
80	TLS080LR	TLS 80A-LR	10	OTLS080.TXLR	079458 24971
			330	OTLS080.ZXLR	079458 26628
90	TLS090LR	TLS 90A-LR	10	OTLS090.TXLR	079458 24972
			330	OTLS090.ZXLR	079458 26629
100	TLS100LR	TLS 100A-LR	10	OTLS100.TXLR	079458 24973
			330	OTLS100.ZXLR	079458 26630
110	TLS110LR	TLS 110A-LR	10	OTLS110.TXLR	079458 24974
			330	OTLS110.ZXLR	079458 26631
125	TLS125LR	TLS 125A-LR	10	OTLS125.TXLR	079458 24975
			330	OTLS125.ZXLR	079458 26632

Dimensions

Millimeters [inches]



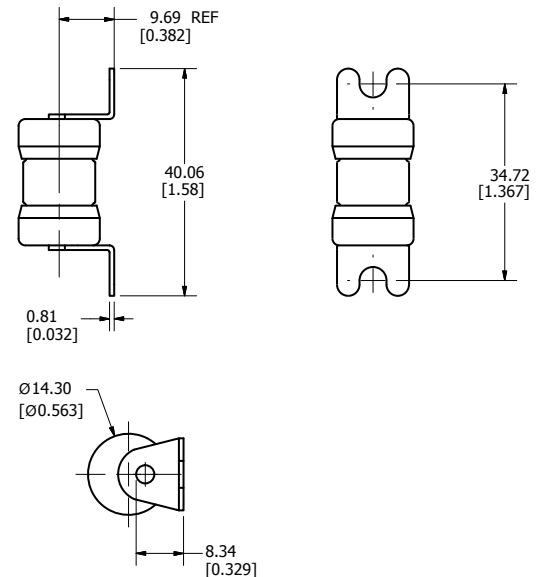
Ordering Information

Bolt-In Mount - LB Version

AMPERE	CATALOG NUMBER	PRODUCT MARKING	PACKING QUANTITY	ORDERING NUMBER	UPC CODE
1	TLS001LB	TLS 1A-LB	10	OTLS001.TXLB	079458 06169
2	TLS002LB	TLS 2A-LB	10	OTLS002.TXLB	079458 06170
3	TLS003LB	TLS 3A-LB	10	OTLS003.TXLB	079458 06171
5	TLS005LB	TLS 5A-LB	10	OTLS005.TXLB	079458 06172
6	TLS006LB	TLS 6A-LB	10	OTLS006.TXLB	079458 06173
10	TLS010LB	TLS 10A-LB	10	OTLS010.TXLB	079458 06174
15	TLS015LB	TLS 15A-LB	10	OTLS015.TXLB	079458 06175
20	TLS020LB	TLS 20A-LB	10	OTLS020.TXLB	079458 06176
25	TLS025LB	TLS 25A-LB	10	OTLS025.TXLB	079458 06177
30	TLS030LB	TLS 30A-LB	10	OTLS030.TXLB	079458 06178
35	TLS035LB	TLS 35A-LB	10	OTLS035.TXLB	079458 06179
40	TLS040LB	TLS 40A-LB	10	OTLS040.TXLB	079458 06180
50	TLS050LB	TLS 50A-LB	10	OTLS050.TXLB	079458 06181
60	TLS060LB	TLS 60A-LB	10	OTLS060.TXLB	079458 06182
70	TLS070LB	TLS 70A-LB	10	OTLS070.TXLB	079458 06183
80	TLS080LB	TLS 80A-LB	10	OTLS080.TXLB	079458 12157
90	TLS090LB	TLS 90A-LB	10	OTLS090.TXLB	079458 12158
100	TLS100LB	TLS 100A-LB	10	OTLS100.TXLB	079458 12159

Dimensions

Millimeters [inches]



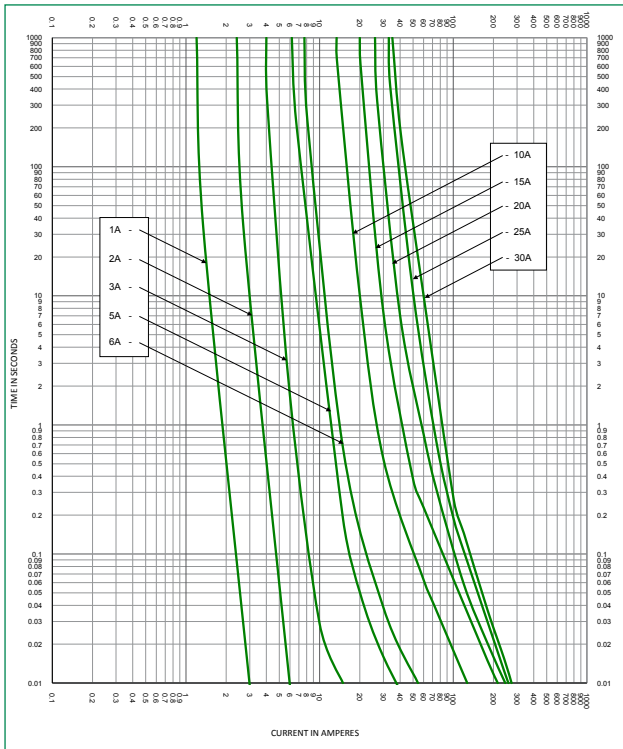
NOTES:

RECOMMENDED HARDWARE: #8 SLOTTED HEX WASHER HEAD MACHINE SCREW
TORQUE: 10 IN-LB

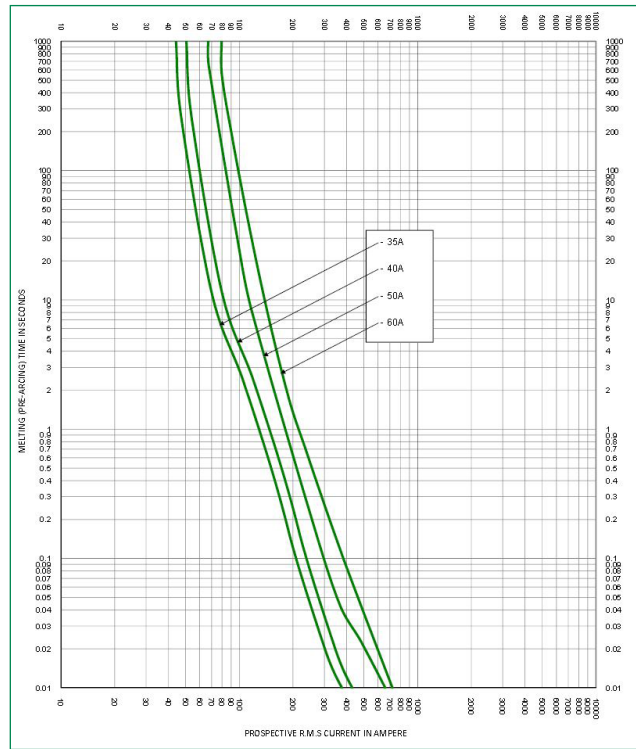
Telecommunications Fuses

TLS Series

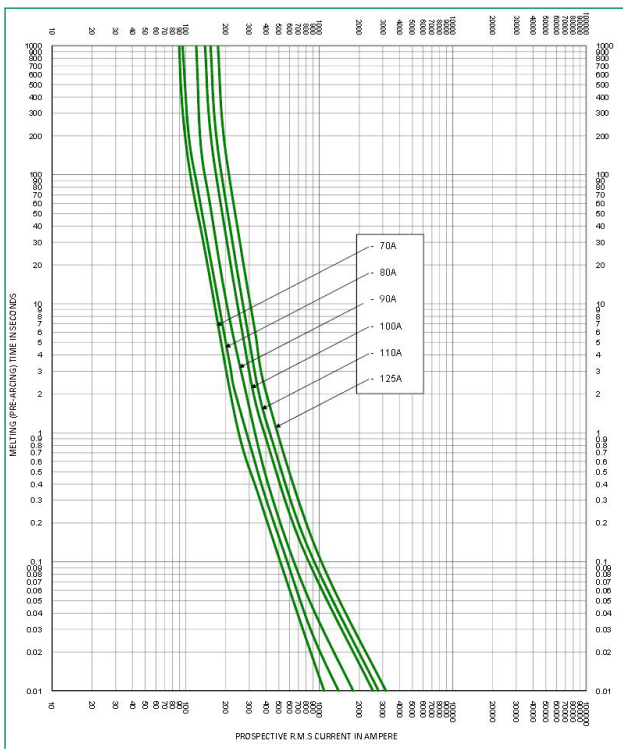
TLS Time-Current Curve 1–30 A



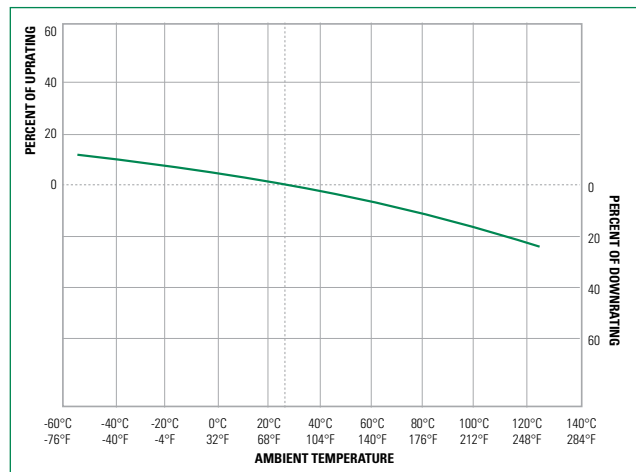
TLS Time-Current Curve 35–60 A



TLS Time-Current Curve 70–125 A



Temperature Derating Curve (temperature of air immediately surrounding fuse)

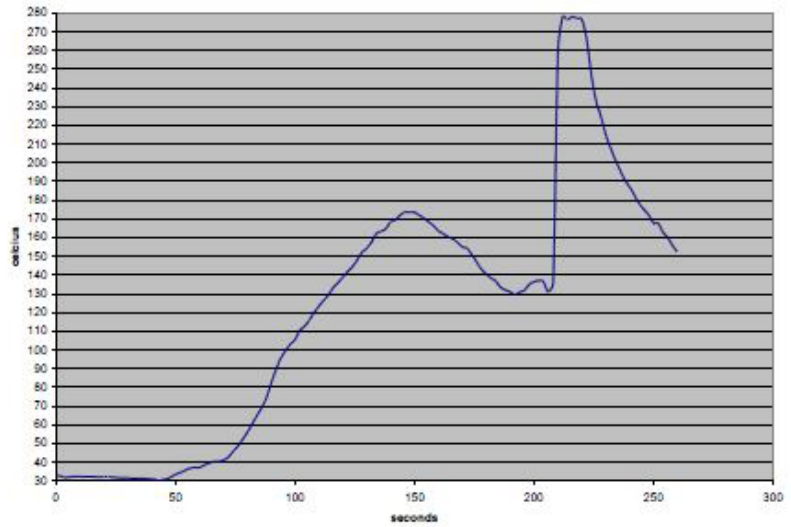


Telecommunications Fuses

TLS Series

Recommended Process and Soldering Parameters

WAVE PARAMETER	LEAD FREE RECOMMENDATION
Preheat:	(Typical Industry Recommendation)
Temperature Minimum:	130 °C
Temperature Maximum:	—
Pre-heat time	75 Seconds Maximum
Solder Pot Temperature	280 °C Maximum
Solder Dwell Time	270 °C for 8 Seconds Maximum
Complete Cycle Time	250 Seconds Maximum



Disclaimer Notice – Information furnished is believed to be accurate and reliable. However, users should independently evaluate the suitability of and test each product selected for their own applications. Littelfuse products are not designed for, and may not be used in, all applications. Read complete Disclaimer Notice at www.littelfuse.com/product-disclaimer.

X-ON Electronics

Largest Supplier of Electrical and Electronic Components

Click to view similar products for [Specialty Fuses](#) category:

Click to view products by [Littelfuse](#) manufacturer:

Other Similar products are found below :

[63NZ02GL](#) [80NH00GR-6](#) [FWP-32A14F](#) [12LCT](#) [ECF-1](#) [ECF-2](#) [ECF-3](#) [ECF-4](#) [170M3809D](#) [N-2-1/2](#) [N-3-2/10](#) [NITD2](#) [16D27SB](#) [16FC](#)
[170M1564D](#) [170M4241](#) [ESD63](#) [ABS-30](#) [ABS-8](#) [FWP-25A14FI](#) [FWP-80A22FI](#) [30CIF06](#) [32CMLC](#) [32NH00AM-6](#) [TDC180-2](#) [TPL-BL](#)
[TPS-5](#) [KLC40](#) [WKL](#) [NITD25](#) [04450080FX850](#) [NITD16](#) [LA60Q152](#) [LA60Q402](#) [ECF-5](#) [TDC180-10](#) [TDC180-7](#) [TPM-25](#) [3AG-312](#)
[16NHG000B](#) [170M3509](#) [DEO200](#) [DD200M250](#) [BP/S-6-1/4](#) [170M3510](#) [TPH-300](#) [EFS200](#) [170M0161](#) [170M6016](#) [BK/F02B-1/2A](#)