


111 Series Thru-Hole and Surface Mount Holders for 2AG or 4.5-5mm Diameter Fuses



Product Characteristics

	111 501	111 506	111 505
Compatible Fuse Size	4.5mm~5mm Diameter Fuses		
Current Level	10 Amps max	10 Amps max	10 Amps max
Mounting	PC	PC	Surface Mount

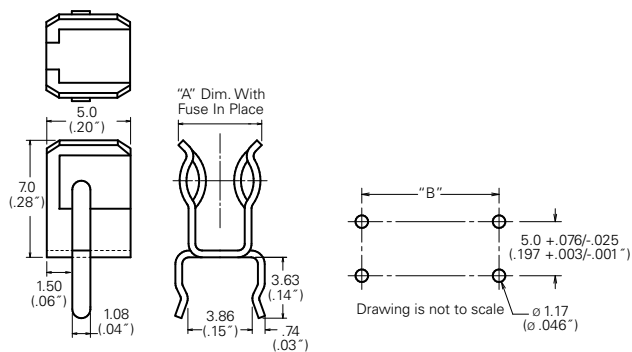
Agency Approval

Agency	Agency File Number		
	111 501	111 506	111 505
	E14721	N/A	N/A

Product Dimensions

Mounting Dimensions for 111 501 / 111 506

Table 1	A Dim.	B Dim.
2AG	.23	.50
5x20	.27	.74

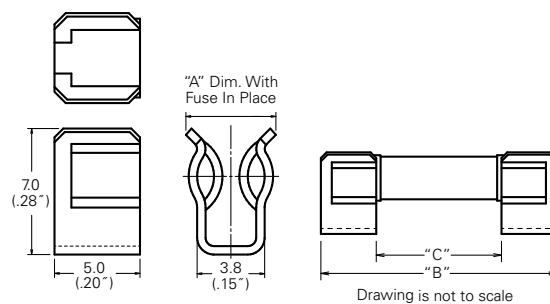


**111 501 / 111 506
Device Dimensions**

**Recommended Mounting
Dimensions**

Mounting Dimensions for 111 505

Table 1	A Dim.	B Dim.	C Dim.
2AG	.23	.65 max.	.22 min.
5x20	.27	.88 max.	.43 min.



**111 505
Device Dimensions**

**Recommended Mounting
Dimensions**

Note: Metric dimensions are shown. Inch dimensions are in parentheses.

Ordering Information

Ordering PN*	Catalog No.	Clip Material	Plating	Style	Packaging Available
0111 0501	111 501	Spring Brass	Tin-plated	Ear	Z
0111 0506	111 506	Beryllium Copper	Tin-plated	Ear	Z
0111 0505	111 505	Beryllium Copper	Tin-plated	Ear	Z

Add Suffix to the Ordering PN for Packaging

*Z" = for bulk package

Additional Information



Datasheet



Resources



Samples

X-ON Electronics

Largest Supplier of Electrical and Electronic Components

Click to view similar products for [Littelfuse](#) manufacturer:

Other Similar products are found below :

[V130LA10A](#) [1SMB33AT3G](#) [1SMA24AT3G](#) [0362030.V](#) [59022-3-S-02-F](#) [46213150000](#) [59022-3-T-02-F](#) [59022-3-U-02-F](#) [MDRR-DT-30-35-F](#) [SK225RDTP](#) [GTCA28-231M-R05](#) [SMBJ5.0](#) [00970019XP](#) [LX5090](#) [0217.500HXP](#) [02181.25TXP](#) [0224006.HXUP](#) [740GN](#) [815.650](#)
[FLA2.25](#) [FLSR400](#) [FLSR600](#) [900-1535-012RN](#) [901-134](#) [970699013](#) [971-670A-92WCN](#) [153.5631.5601](#) [155100](#) [157.5701.6101](#)
[1.5KE110A-B](#) [1.5KE220A](#) [1.5SMC150CA](#) [BLF006](#) [BLF008](#) [JLLS-250](#) [235.200](#) [901-152C-042RN](#) [920-401X-330BN](#) [282007](#)
[LFC600602CID](#) [LFR600303CID](#) [LJCA030.X](#) [SE-GRM024](#) [SE-TA6ASF-WL](#) [2N6509G](#) [980-788A-070](#) [FLNR100](#) [FLNR400](#) [FLSR200](#)
[211RT](#)