

**TAC ATO® Style Blade Fuse Rated 58V**



Blade Fuses



**Specifications**

DIN 72581-3  
UL 248 Special Purpose Fuses  
cULus Recognized: File No. E211637

**Interrupting Rating:** 1000 A @ 58 VDC  
**Insulating body:** Out of thermoplastic (UL 94-V0, heat-resistant)  
**Cover:** Out of thermoplastic (V0, transparent), Visible melting-element  
**Terminals:** Blade contacts  
Copper alloy, gal. Sn plated  
Edge-protected

Series	Pack Size
142.6185.xxx6	100
142.6185.xxx2	2000

**Time-Current Characteristics / Schmelzeit-Grenzwerte**

% of Rating % des Nennstromes	Opening Time Min / Max (s) Schmelzcharakteristik Min / Max (s)
110	360,000 s/ –
135	0.750 s / 1,800 s
200	0.150 s / 5 s
350	0.040 s / 0.500 s
600	0.020 s / 0.100 s

The TAC is an ATO® style blade fuse rated at 58V, featuring a three part construction with copper contacts for excellent reliability in harsh environment conditions and low voltage drop. Current ratings 1A thru 40A. With see-trough cover for easy detection of blown fuses.

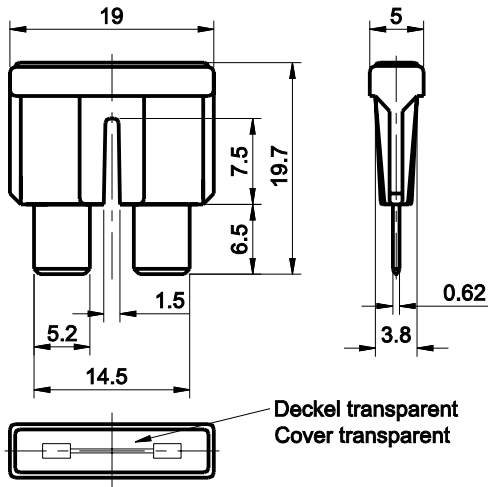
TAC ist eine ATO-Flachstecksicherung mit 58V Nennspannung. Merkmale sind dreiteiliger Aufbau mit Kupferkontakten, niedriger Spannungsabfall und hohe Zuverlässigkeit unter rauen Umgebungsbedingungen. Nennstrom 1A bis 40A, transparente Abdeckung zur leichten Erkennung durchgebrannter Sicherungen.

Part Number Artikel-Nr.	Current Rating Nennstrom	Housing Color Kennfarbe	Typ. Voltage Drop Typ. Spannungsfall		Cold Resistance Kaltwiderstand	I²t
			Standard DIN max.	Littelfuse max.		
142.6185.410_	1 A	Black	–	150 mV	108 mΩ	2.00 A²s
142.6185.420_	2 A	Grey	–	130 mV	45.0 mΩ	8.00 A²s
142.6185.430_	3 A	Purple	175 mV	140 mV	28.5 mΩ	15.0 A²s
142.6185.440_	4 A	Pink	175 mV	120 mV	22.5 mΩ	25.0 A²s
142.6185.450_	5 A	Brown	175 mV	145 mV	16.5 mΩ	35.0 A²s
142.6185.475_	7.5 A	Dark Brown	150 mV	115 mV	11.5 mΩ	60.0 A²s
142.6185.510_	10 A	Red	125 mV	95 mV	6.80 mΩ	115 A²s
142.6185.515_	15 A	Blue	125 mV	90 mV	4.30 mΩ	250 A²s
142.6185.520_	20 A	Yellow	125 mV	90 mV	3.10 mΩ	600 A²s
142.6185.525_	25 A	White	100 mV	80 mV	2.30 mΩ	600 A²s
142.6185.530_	30 A	Green	100 mV	80 mV	1.90 mΩ	1,070 A²s
142.6185.540_	40 A	Orange	100 mV	100 mV	1.40 mΩ	2,000 A²s

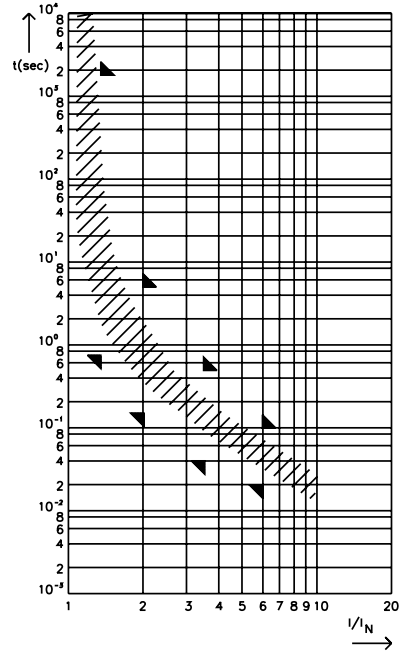
Corresponding holder see Section "Fuse Holders."

## TAC ATO® Style Blade Fuse Rated 58V

Dimensions in mm / Maße in mm



Pre-arcing Time - limits / Schmelzeit-Grenzwerte DIN



FI = 1.33 (max. operating current: 0.75 x I<sub>rat</sub> at 23°C)

## X-ON Electronics

Largest Supplier of Electrical and Electronic Components

*Click to view similar products for [Automotive Fuses](#) category:*

*Click to view products by [Littelfuse](#) manufacturer:*

Other Similar products are found below :

[HBO-10](#) [HBO-100](#) [HBO-150](#) [HBO-25](#) [HBO-40](#) [HBO-50](#) [AFX-150](#) [AT-10](#) [AT-30](#) [AT-5](#) [ATM-4LP](#) [ACL-30](#) [ACL-50](#) [AFX-50](#) [HBO-15](#)  
[HBO-70](#) [AT-20](#) [AT-25](#) [AT-3](#) [142.7010.5502](#) [BK-HBH-I](#) [BK-AGX-1-2](#) [142.0020.6152](#) [FMM-15](#) [0695030.PXPS](#) [0695040.PXPS](#)  
[0297003.WXT](#) [0695025.PXPS](#) [0695015.PXPS](#) [0200300](#) [02400106P](#) [0297002.WXT](#) [0297004.WXT](#) [0297010.WXT](#) [0297015.WXT](#)  
[0297020.WXT](#) [0297025.WXT](#) [0297030.WXT](#) [029707.5WXT](#) [0602930](#) [0602935](#) [0602940](#) [0602950](#) [0602960](#) [0611100](#) [0611125](#) [0611150](#)  
[0611175](#) [0611200](#) [0611225](#)