

TAC ATO® STYLE BLADE FUSE RATED 58V



Description

The TAC is an ATO® style blade fuse rated at 58V, featuring a three part construction with copper contacts for excellent reliability in harsh environment conditions and low voltage drop. Current ratings 1A thru 40A. With see-through cover for easy detection of blown fuses.

Specifications

| | |
|----------------------|--|
| Interrupting Rating: | 1000 A @ 58 VDC |
| Insulating Body: | Out of thermoplastic (UL 94-V0, heat-resistant) |
| Cover: | Out of thermoplastic (V0, transparent), Visible melting-element |
| Terminals: | Blade contacts Copper alloy, gal. Sn plated Edge-protected |
| Complies with: | ISO 8820-3:2002(E) UL 248 Special Purpose Fuses |
| cULus Recognized: | File No. E10480 |

Ordering Information

| Part Number | Package Size |
|----------------|--------------|
| 142.6185.xxx.2 | 2000 |
| 142.6185.xxx.6 | 100 |

Time-Current Characteristics

| % of Rating | Opening Time Min / Max (s) |
|-------------|----------------------------|
| 110 | 360,000 s / - |
| 135 | 0.750 s / 1,800 s |
| 200 | 0.150 s / 5 s |
| 350 | 0.040 s / 0.500 s |
| 600 | 0.020 s / 0.100 s |

Ratings

| Part Number | Current Rating | Housing Color | Typ. Voltage Drop Littelfuse max. | Cold Resistance | I²t |
|---------------|----------------|---------------|--------------------------------------|-----------------|-----------|
| 142.6185.410_ | 1 A* | Black | 150 mV | 108 mΩ | 2.00 A²s |
| 142.6185.420_ | 2 A* | Grey | 130 mV | 45.0 mΩ | 8.00 A²s |
| 142.6185.430_ | 3 A | Purple | 140 mV | 28.5 mΩ | 15.0 A²s |
| 142.6185.440_ | 4 A | Pink | 120 mV | 22.5 mΩ | 25.0 A²s |
| 142.6185.450_ | 5 A | Brown | 145 mV | 16.5 mΩ | 35.0 A²s |
| 142.6185.475_ | 7.5 A | Dark Brown | 115 mV | 11.5 mΩ | 60.0 A²s |
| 142.6185.510_ | 10 A | Red | 95 mV | 6.80 mΩ | 115 A²s |
| 142.6185.515_ | 15 A | Blue | 90 mV | 4.30 mΩ | 250 A²s |
| 142.6185.520_ | 20 A | Yellow | 90 mV | 3.10 mΩ | 600 A²s |
| 142.6185.525_ | 25 A | White | 80 mV | 2.30 mΩ | 600 A²s |
| 142.6185.530_ | 30 A | Green | 80 mV | 1.90 mΩ | 1,070 A²s |
| 142.6185.540_ | 40 A | Orange | 100 mV | 1.40 mΩ | 2,000 A²s |

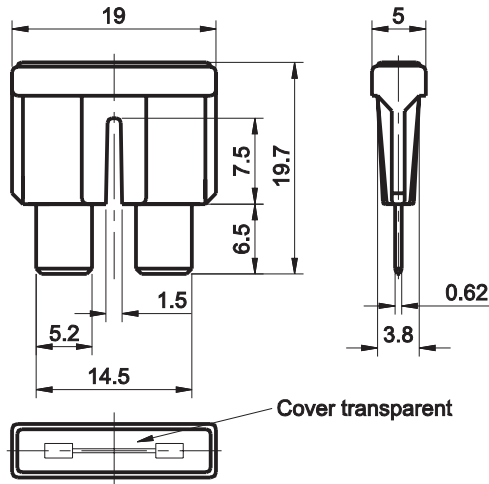
* Not mentioned in the standards
Corresponding holder see Section "Fuse Holders."

TAC ATO® STYLE BLADE FUSE RATED 58V

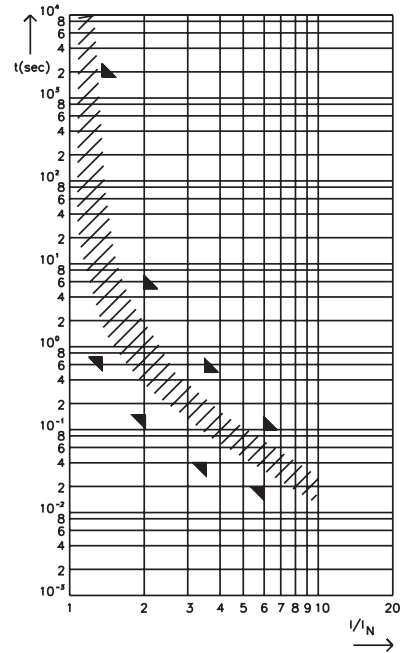


Dimensions

Dimensions in mm



Pre-Arcing Time-Limits



FI = 1.33 (max. operating current: $0.75 \times I_{\text{rat}}$ at 23°C)

X-ON Electronics

Largest Supplier of Electrical and Electronic Components

Click to view similar products for [Automotive Fuses](#) category:

Click to view products by [Littelfuse](#) manufacturer:

Other Similar products are found below :

[ATM-4LP](#) [299080](#) [0287015](#) [FMM-15](#) [0297003.WXT](#) [0695060.PXPS](#) [MRBF-075](#) [MRBF-300](#) [MRBF-200](#) [ANX80-UL-20A](#) [ANX80-UL-25A](#) [ANX80-UL-30A](#) [ANX80-UL-35A](#) [ANX80-UL-40A](#) [ANT-I-3A](#) [APM-I-25A](#) [APR-10A](#) [APR-25A](#) [ANX58-UL-20A](#) [ANX58-UL-25A](#) [ANX58-UL-35A](#) [ANX58-UL-40A](#) [ANX58-UL-50A](#) [ANM-4A](#) [ANM-25A](#) [ANE-175A](#) [APM-25A](#) [APM-4A](#) [ACB2-PL-15A](#) [ACB2-PL-25A](#) [ANM58-15A](#) [ANM58-5A](#) [MIDA-50A](#) [0695040.PXP](#) [0327030.YX2T](#) [0298500.UX1M8](#) [0299070.ZXT](#) [ATM-1](#) [MRBF-040](#) [MRBF-250](#) [MRBF-050](#) [MRBF-060](#) [CFCOVER-2R](#) [MRBF-030](#) [3298600.ZXM10](#) [AMG-80](#) [FLG-80](#) [BK-AMG-225](#) [BK/FMM-15](#) [0283070.H](#)