

BF1 Fuses



One Hole BF1 Fuses

## BF1 and One-Hole BF1 Fuse Rated 32V

This BF1 fuse is rated at 32V and offers a bolt-on fuse for high current wiring protection. Current rating 23A - 200A; with transparent housing material for easy detection of blown fuses. One-Hole BF1 fuses have a current rating 60-125A.

### Specifications

Operating Temperature:	-40 to 125 degrees C
Housing Material:	PET-GF30
Clear Housing Material:	PES
Terminals:	Copper alloy, gal. Sn 2 x M5 or M6 bolts, distance 30 mm
Mounting Torque M5:	4.5 Nm +/- 1Nm
Mounting Torque M6:	6.0 Nm +/- 1Nm
Interrupting Rating:	23A & 30A: 1000A @32 VDC 40A - 150A: 2000A @32 VDC 200A: 1500A @32 VDC
Complies with:	ISO 8820-5, UL 248 Special Purpose Fuses



### Ordering Information

Part Number	Package Size	Bolt Size	Bolt Hole Qty	Ratings
153.5631.xxx2	1000	M5	2	30A-200A
153.5631.xxx1	10	M5	2	30A-200A
153.7010.xxx2	1000	M6	2	30A-150A
153.7000.xxx2	500	M6	2	200A
153.0010.xxx2	1000	M6	1	60A-125A
153.0020.xxx2	500	--	0	30A-200A

### Time-Current Characteristics

% of Rating	Opening Time Min / Max (s)	
	23-150A Fuses	200A Short Circuit Protectors
75	- / -	360,000 s / -
100	360,000 s / -	- / -
110	14,400 s / -	- / -
150	90 s / 3,600 s	- / -
200	3 s / 100 s	1 s / 15 s
300	0.300 s / 3 s	- / -
350	- / -	0.300 s / 5 s
500	0.100 s / 1 s	- / -
600	- / -	0.100 s / 1 s

### Ratings

Part Number		Current Rating (A)	Housing Material Color	Typ. Voltage Drop (mV)	Cold Resistance (mΩ)	I <sup>2</sup> t (A <sup>2</sup> s)
M5	M6					
153.5631.523_1,2	-	23	Yellow	105	3.50	1,400
153.5631.530_	153.7010.530_	30	Orange	105	2.70	5,100
153.5631.540_	153.7010.540_	40	Green	90	1.56	6,800
153.5631.550_	153.7010.550_	50	Red	80	1.03	6,900
153.5631.560_	153.7010.560_	60	Yellow	75	0.75	16,200
153.5631.570_	153.7010.570_	70	Brown	70	0.64	22,000
153.5631.580_	153.7010.580_	80	White	70	0.55	25,600
153.5631.610_	153.7010.610_	100	Blue	70	0.44	42,500
153.5631.612_	153.7010.612_	125	Pink	70	0.34	62,500
153.5631.615_1	153.7010.615_1	150	Grey	70	0.29	83,400
153.5631.620_3	153.7000.620_3	200	Purple	70	0.24	126,000

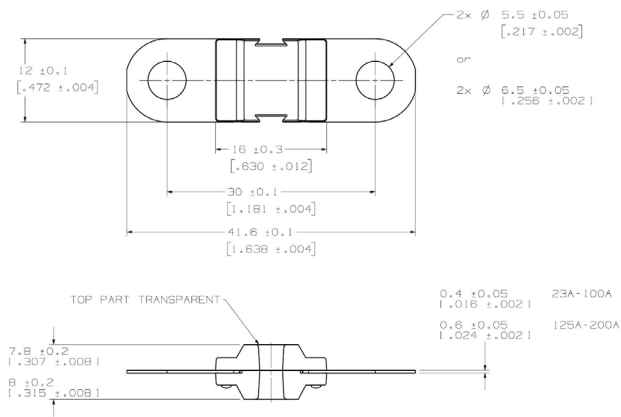
Corresponding holder see Section "Fuse Holders."

Note 1: not mentioned in ISO standard Note 2: Not UL rated Note 3: Short Circuit Protector only Note 4: For 1-Hole and No-Hole values, refer to 2-Hole version values

## BF1 and One-Hole BF1 Fuse Rated 32V

### Dimensions

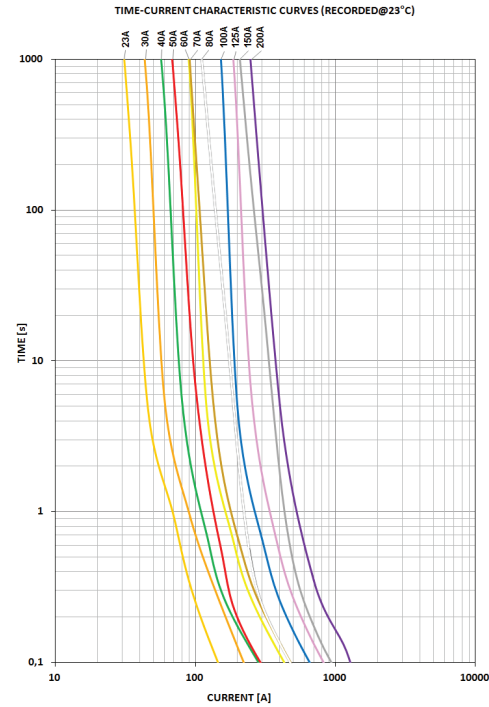
Dimensions in mm



### Derating

Individual derating curves by rating can be ordered through your Littelfuse contact person.

### Pre-Arcing Time-Limits



23 A - 150 A: FI = 1.25 (max. operating current:  $0.8 \times I_{rat}$  at 23°C)

200 A: FI = 2.00 (max. operating current:  $0.5 \times I_{rat}$  at 23°C)

## X-ON Electronics

Largest Supplier of Electrical and Electronic Components

*Click to view similar products for [Automotive Fuses](#) category:*

*Click to view products by [Littelfuse](#) manufacturer:*

Other Similar products are found below :

[HBO-10](#) [HBO-100](#) [HBO-150](#) [HBO-25](#) [HBO-40](#) [HBO-50](#) [AFX-150](#) [AT-10](#) [AT-30](#) [AT-5](#) [ATM-4LP](#) [ACL-30](#) [ACL-50](#) [AFX-50](#) [HBO-15](#)  
[HBO-70](#) [AT-20](#) [AT-25](#) [AT-3](#) [142.7010.5502](#) [BK-HBH-I](#) [BK-AGX-1-2](#) [142.0020.6152](#) [FMM-15](#) [0695030.PXPS](#) [0695040.PXPS](#)  
[0297003.WXT](#) [0695025.PXPS](#) [0695015.PXPS](#) [0200300](#) [02400106P](#) [0297002.WXT](#) [0297004.WXT](#) [0297010.WXT](#) [0297015.WXT](#)  
[0297020.WXT](#) [0297025.WXT](#) [0297030.WXT](#) [029707.5WXT](#) [0602930](#) [0602935](#) [0602940](#) [0602950](#) [0602960](#) [0611100](#) [0611125](#) [0611150](#)  
[0611175](#) [0611200](#) [0611225](#)