

## HSB Fuses Rated 32V

Non-housed fuse strips for rated voltage up to 32 VDC. Current rating 30 A -175 A. Ring type lugs.

### Specifications

Voltage Rating:	32 VDC
Interrupt Ratings:	1000A
Operating Temperature Range:	-40° to 125°C
Material:	Zinc-alloy
Connections:	Zinc-alloy 2 x M6 bolts, distance 30 mm
Torque:	4 Nm +/- 1 Nm

**RoHS**

### Ordering Information

Part Number	Package Size
156.5677.xxx1	100
156.5677.xxx2	10000

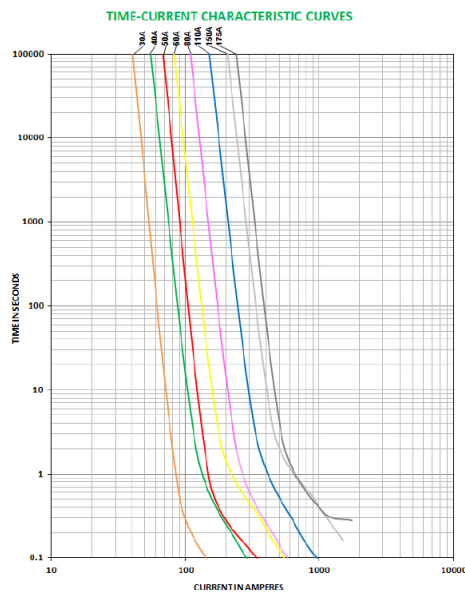
### Time-Current Characteristics

% of Rating	Opening Time Min / Max (s)
100	∞ / -
125	360,000 s / -
300	0.100 s / 10 s
600	0.020 s / 1 s
1000	0.010 s / 0.300 s

### Ratings

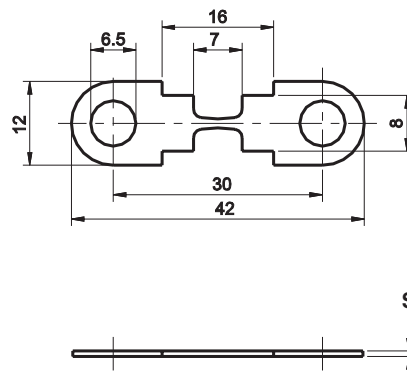
Part Number	Current Rating (A)	Typ. Voltage Drop (mV)	Cold Resistance (mΩ)	I <sup>2</sup> t (A <sup>2</sup> s)	Material Thickness "S" (mm)
156.5677.530_	30	44	1.33	3800	0.4
156.5677.540_	40	40	0.89	11200	0.4
156.5677.550_	50	44	0.72	21300	0.4
156.5677.560_	60	38	0.58	41400	0.4
156.5677.580_	80	40	0.43	44800	0.8
156.5677.611_	110	40	0.31	139000	0.8
156.5677.615_	150	52	0.23	465000	0.8
156.5677.617_	175	46	0.22	560000	0.8

### Pre-Arcing Time-Limits



### Dimensions

Dimensions in mm



FI = 1.00 (max. operating current:  
1.0 x I<sub>rat</sub> at 23°C)

Littelfuse products are not designed for, and shall not be used for, any purpose (including, without limitation, automotive, military, aerospace, medical, life-saving, life-sustaining or nuclear facility applications, devices intended for surgical implant into the body, or any other application in which the failure or lack of desired operation of the product may result in personal injury, death, or property damage) other than those expressly set forth in applicable Littelfuse product documentation. Warranties granted by Littelfuse shall be deemed void for products used for any purpose not expressly set forth in applicable Littelfuse documentation. Littelfuse shall not be liable for any claims or damages arising out of products used in applications not expressly intended by Littelfuse as set forth in applicable Littelfuse documentation. The sale and use of Littelfuse products is subject to Littelfuse Terms and Conditions of Sale, unless otherwise agreed by Littelfuse.

## X-ON Electronics

Largest Supplier of Electrical and Electronic Components

*Click to view similar products for [Automotive Fuses](#) category:*

*Click to view products by [Littelfuse](#) manufacturer:*

Other Similar products are found below :

[HBO-10](#) [HBO-100](#) [HBO-150](#) [HBO-40](#) [HBO-50](#) [AFX-150](#) [AT-10](#) [AT-30](#) [AT-5](#) [ATM-10ID](#) [ATM-4LP](#) [ACL-50](#) [AFX-50](#) [299080](#) [HBO-15](#)  
[AT-20](#) [AT-3](#) [0287015](#) [142.7010.5502](#) [FMM-15](#) [0MIN015.HXGLO](#) [0695030.PXPS](#) [0695040.PXPS](#) [0297003.WXT](#) [0MIN025.HXGLO](#)  
[0MIN030.HXGLO](#) [0695025.PXPS](#) [0695015.PXPS](#) [0695050.PXPS](#) [0695060.PXPS](#) [MRBF-075](#) [02400106P](#) [0297002.WXT](#) [0297004.WXT](#)  
[0297010.WXT](#) [0297015.WXT](#) [0297020.WXT](#) [0297025.WXT](#) [0297030.WXT](#) [029707.5WXT](#) [0602925](#) [0602930](#) [0602935](#) [0602940](#) [0602950](#)  
[0611100](#) [0611125](#) [0611150](#) [0611175](#) [0611225](#)