

FKS ATO® Style Blade Fuse Rated 32V

RoHS

Blade Fuses



Specifications

DIN 72581-3C
ISO 8820-3

Interrupting Rating: 1000 A @32 VDC
Insulating body: Out of thermoplastic (UL 94-V0, heat-resistant)
Cover: Out of thermoplastic (V0, transparent), Visible melting-element
 Shunt: red, not transparent
Terminals: Blade contacts
 Copper alloy, gal. Sn plated
 Edge-protected

Packaging:

Series	Pack Size
162.6185.xxx6	100
162.6185.xxx2	2000
164.6185.xxx2	2000

The FKS-32 is an ATO® style blade fuse rated at 32V, featuring a three part construction with copper contacts for excellent reliability in harsh environment conditions and low voltage drop. Current ratings 0.5A thru 40A. With see-through cover for easy detection of blown fuses.

FSK-32 ist eine ATO-Flachstecksicherung mit 32V Nennspannung. Merkmale sind dreiteiliger Aufbau mit Kupferkontakten, niedriger Spannungsabfall und hohe Zuverlässigkeit unter rauen Umgebungsbedingungen. Nennstrom 0,5A bis 40A, transparente Abdeckung zur leichten Erkennung durchgebrannter Sicherungen.

Time-Current Characteristics / Schmelzzeit-Grenzwerte

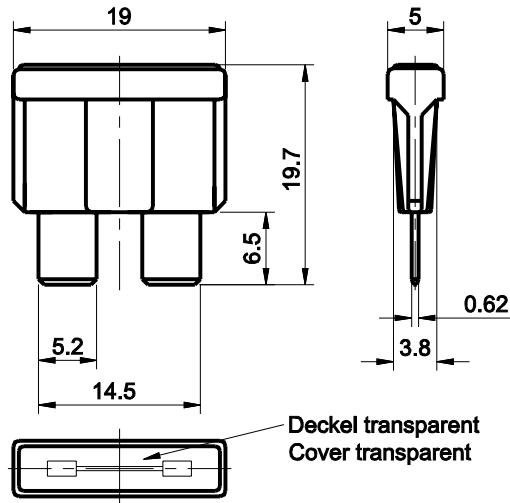
% of Rating % des Nennstromes	Opening Time Min / Max (s) Schmelzcharakteristik Min / Max (s)
110	360,000 s / –
150	0.750 s / 1,800 s
200	0.150 s / 5 s
350	0.040 s / 0.500 s
600	0.020 s / 0.100 s

Part Number Artikel-Nr.	Current Rating Nennstrom	Housing Color Kennfarbe	Typ. Voltage Drop Typ. Spannungsfall		Cold Resistance Kaltwiderstand	I²t
			Standard DIN max.	Littelfuse max.		
162.6185.350_	0.5 A*	Blue	–	320 mV	450 mΩ	0.70 A²s
162.6185.410_	1 A	Black	–	150 mV	108 mΩ	2.00 A²s
162.6185.420_	2 A	Grey	–	130 mV	47.2 mΩ	8.00 A²s
162.6185.430_	3 A	Purple	175 mV	140 mV	30.5 mΩ	15.0 A²s
162.6185.440_	4 A	Pink	175 mV	120 mV	22.5 mΩ	25.0 A²s
164.6185.450_	5 A	Brown	175 mV	145 mV	16.5 mΩ	35.0 A²s
164.6185.475_	7.5 A	Dark Brown	150 mV	115 mV	11.5 mΩ	60.0 A²s
164.6185.510_	10 A	Red	125 mV	95 mV	6.80 mΩ	110 A²s
164.6185.515_	15 A	Blue	125 mV	90 mV	4.50 mΩ	250 A²s
164.6185.520_	20 A	Yellow	125 mV	90 mV	3.40 mΩ	648 A²s
164.6185.525_	25 A	White	110 mV	80 mV	2.50 mΩ	600 A²s
164.6185.530_	30 A	Light Green	100 mV	80 mV	1.85 mΩ	1,070 A²s
162.6185.535_	35 A*	Dark Green	100 mV	75 mV	1.50 mΩ	1,600 A²s
162.6185.540_	40 A*	Orange	100 mV	100 mV	1.35 mΩ	2,000 A²s
160.6185.000_	Shunt*	Red	–	42 mV	0.73 mΩ	9,000 A²s

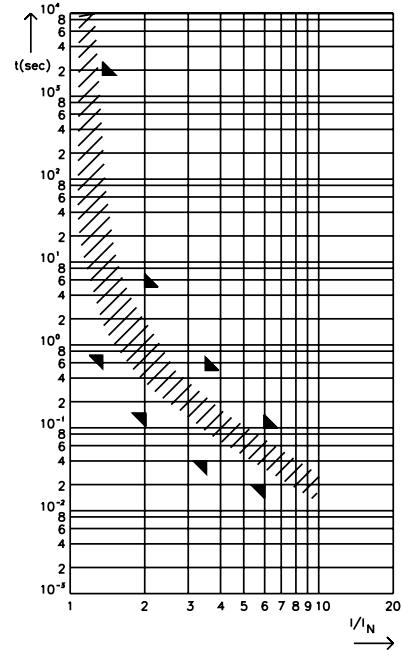
* Not mentioned in the standards Corresponding holder see Section "Fuse Holders."

FKS ATO® Style Blade Fuse Rated 32V

Dimensions in mm / Maße in mm



Pre-arcing Time - limits / Schmelzeit-Grenzwerte DIN



FI = 1.33 (max. operating current: 0.75 x I_{rat} at 23°C)

X-ON Electronics

Largest Supplier of Electrical and Electronic Components

Click to view similar products for [Automotive Fuses](#) category:

Click to view products by [Littelfuse](#) manufacturer:

Other Similar products are found below :

[HBO-10](#) [HBO-100](#) [HBO-150](#) [HBO-25](#) [HBO-40](#) [HBO-50](#) [AFX-150](#) [AT-10](#) [AT-30](#) [AT-5](#) [ATM-4LP](#) [ACL-30](#) [ACL-50](#) [AFX-50](#) [HBO-15](#)
[HBO-70](#) [AT-20](#) [AT-25](#) [AT-3](#) [142.7010.5502](#) [BK-HBH-I](#) [BK-AGX-1-2](#) [142.0020.6152](#) [FMM-15](#) [0695030.PXPS](#) [0695040.PXPS](#)
[0297003.WXT](#) [0695025.PXPS](#) [0695015.PXPS](#) [0200300](#) [02400106P](#) [0297002.WXT](#) [0297004.WXT](#) [0297010.WXT](#) [0297015.WXT](#)
[0297020.WXT](#) [0297025.WXT](#) [0297030.WXT](#) [029707.5WXT](#) [0602930](#) [0602935](#) [0602940](#) [0602950](#) [0602960](#) [0611100](#) [0611125](#) [0611150](#)
[0611175](#) [0611200](#) [0611225](#)