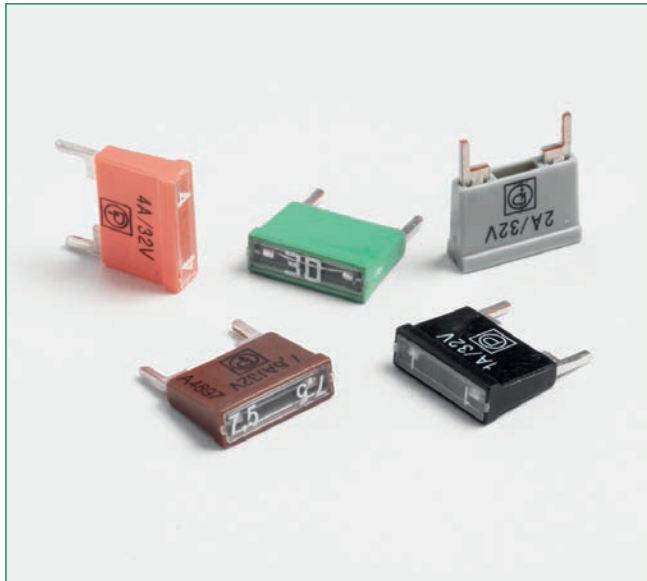


FP1 MINI® STYLE PCB FUSE RATED 32V



Specifications

Insulating body:	Out of thermoplastic (UL 94-V0, heat-resistant)
Cover:	Out of thermoplastic (V0, transparent), Visible melting-element
Terminals:	Shunt: Red, not transparent Soldering pins Copper alloy, gal. Sn plated
Interrupting Rating:	1000 A @ 32 VDC
Complies with:	UL 248 Special Purpose Fuses
cULus Recognized:	File No. E10480

Ordering Information

Part Number	Package Size
168.6585.xxx2	1500
168.6585.xxx6	100

Description

The FP1 is a MINI® style fuse for direct trough-hole pcb soldering. The FP1 has similar performance characteristics as the standard FK1 fuse.

Time-Current Characteristics

% of Rating	Opening Time Min / Max (s)
110	360,000 s / -
135	0.750 s / 1,800 s
200	0.150 s / 5 s
350	0.040 s / 0.500 s
600	0.020 s / 0.100 s

Ratings

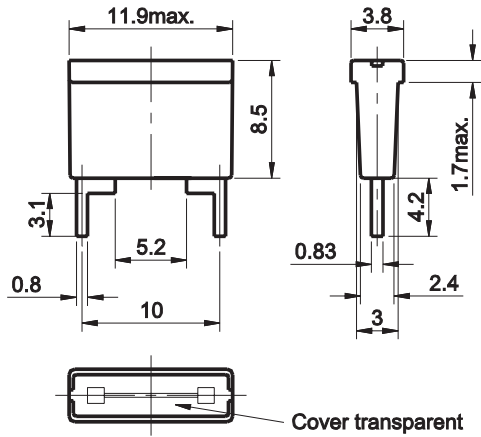
Part Number	Current Rating	Housing Color	Typ. Voltage Drop Littelfuse max.	Cold Resistance	I ² t
168.6585.410_	1 A	Black	135 mV	100 mΩ	0.83 A ² s
168.6585.420_	2 A	Grey	110 mV	43.0 mΩ	3.31 A ² s
168.6585.430_	3 A	Purple	110 mV	27.0 mΩ	7.45 A ² s
168.6585.440_	4 A	Pink	110 mV	21.3 mΩ	16.7 A ² s
168.6585.450_	5 A	Orange	105 mV	16.2 mΩ	19.8 A ² s
168.6585.475_	7.5 A	Brown	100 mV	9.70 mΩ	44.5 A ² s
168.6585.510_	10 A	Red	110 mV	7.40 mΩ	79.2 A ² s
168.6585.515_	15 A	Blue	105 mV	4.50 mΩ	178 A ² s
168.6585.520_	20 A*	Yellow	100 mV	3.10 mΩ	331 A ² s
168.6585.525_	25 A*	White	105 mV	2.60 mΩ	653 A ² s
168.6585.530_	30 A*	Green	105 mV	1.90 mΩ	1,264 A ² s
160.6585.0002	Shunt*	White	60 mV	1.35 mΩ	1,800 A ² s

*Not mentioned in the standards

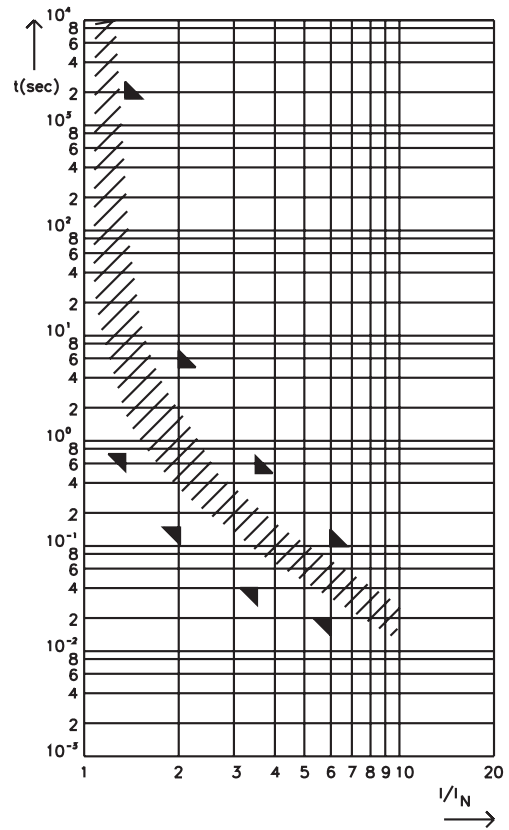
FP1 MINI® STYLE PCB FUSE RATED 32V

Dimensions

Dimensions in mm



Pre-Arcing Time-Limits



FI = 1.33 (max. operating current: $0.75 \times I_{rat}$ at 23°C)

X-ON Electronics

Largest Supplier of Electrical and Electronic Components

Click to view similar products for [Automotive Fuses](#) category:

Click to view products by [Littelfuse](#) manufacturer:

Other Similar products are found below :

[HBO-10](#) [HBO-100](#) [HBO-150](#) [HBO-40](#) [HBO-50](#) [AFX-150](#) [AT-10](#) [AT-30](#) [AT-5](#) [ATM-10ID](#) [ATM-4LP](#) [ACL-50](#) [AFX-50](#) [299080](#) [HBO-15](#)
[AT-20](#) [AT-3](#) [0287015](#) [142.7010.5502](#) [FMM-15](#) [0MIN015.HXGLO](#) [0695030.PXPS](#) [0695040.PXPS](#) [0297003.WXT](#) [0MIN025.HXGLO](#)
[0MIN030.HXGLO](#) [0695025.PXPS](#) [0695015.PXPS](#) [0695050.PXPS](#) [0695060.PXPS](#) [MRBF-075](#) [02400106P](#) [0297002.WXT](#) [0297004.WXT](#)
[0297010.WXT](#) [0297015.WXT](#) [0297020.WXT](#) [0297025.WXT](#) [0297030.WXT](#) [029707.5WXT](#) [0602925](#) [0602930](#) [0602935](#) [0602940](#) [0602950](#)
[0602960](#) [0611100](#) [0611125](#) [0611150](#) [0611175](#)