

FLR PCB FUSE HOLDER FOR ATO® STYLE BLADE FUSE RATED 58V



Specifications

Housing: Out of thermoplastic (UL 94-V0, heat-resistant)
 Connections: Leaf spring connector systems, soldering terminals (4 pins each), copper alloy, tinned
 Color: Black

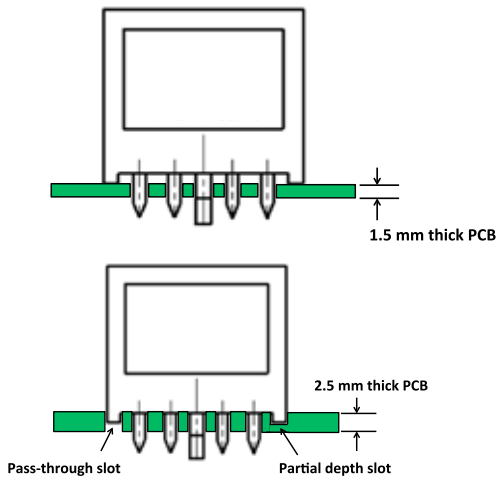
Ordering Information

Part Number	Package Size
178.4265.0002	500

Description

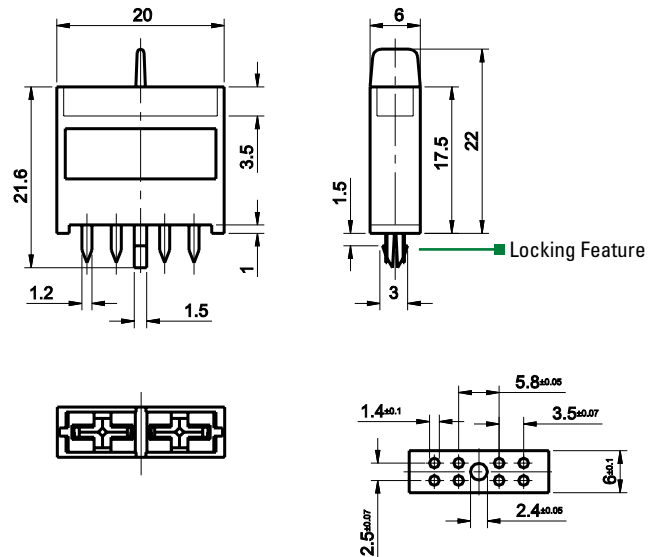
PCB Fuse Holder for 42V PowerNet with coding for TAC fuses-links. For through hole soldering. Rated voltage 58V.

Recommended Assembly



Dimensions

Dimensions in mm



Note: The locking feature at the holder center must lock holder and PCB before welding.

Ratings

Part Number	Description	Contact Temperature
178.4265.0002	Complete	max. 130°C



Visit Littelfuse.com for the most up-to-date product information. Littelfuse reserves the right to make product changes, without notice. Material in this document is as accurate as known at the time of publication.

FLR PCB FUSE HOLDER FOR ATO® STYLE BLADE FUSE RATED 80V



Specifications

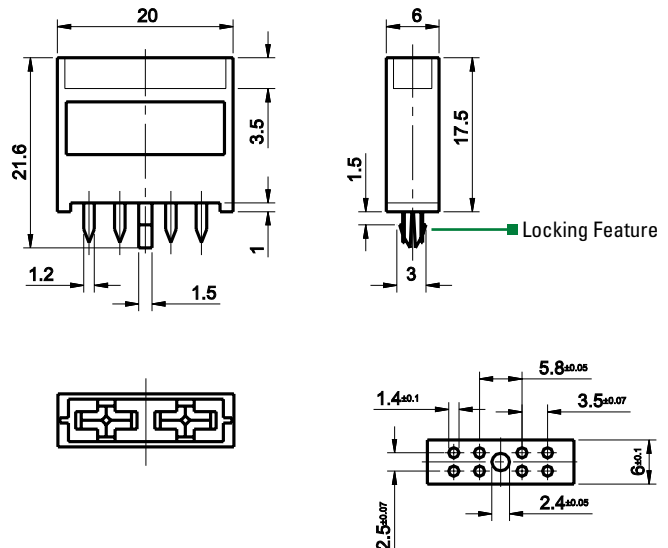
Housing: Out of thermoplastic (UL 94-V0, heat-resistant)
 Connections: Leaf spring connector systems, soldering terminals (4 pins each), copper alloy, silver plated
 Color: Black

Ordering Information

Part Number	Package Size
178.6165.xxx1	100
178.6165.xxx2	500

Dimensions

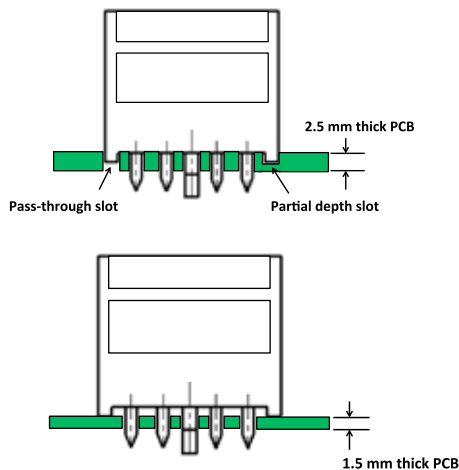
Dimensions in mm



Description

PCB Fuse Holder for ATO / FKS size fuse-links. For through hole soldering. Rated voltage 80V.

Recommended Assembly



Note: The locking feature at the holder center must lock holder and PCB before welding.

Ratings

Part Number	Description	Contact Temperature
178.6165.000_	Complete	max. 130°C



Visit Littelfuse.com for the most up-to-date product information. Littelfuse reserves the right to make product changes, without notice. Material in this document is as accurate as known at the time of publication.

FLR PCB FUSE HOLDER FOR ATO® STYLE BLADE FUSE RATED 80V



Specifications

Housing: Out of thermoplastic (UL 94-V0, heat-resistant)
 Connections: Leaf spring connector systems, soldering terminals, copper alloy, tin plated
 Color: Black

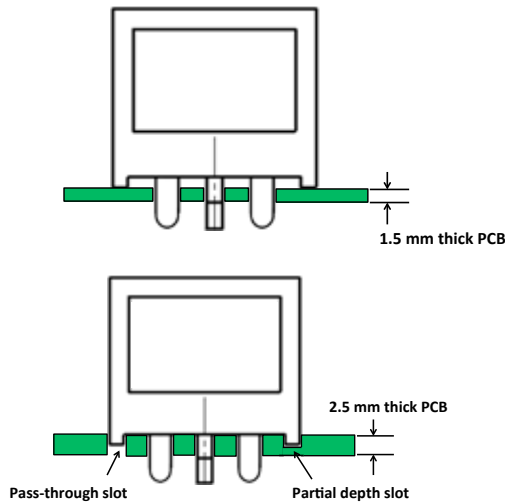
Ordering Information

Part Number	Package Size
178.6164.xxx1	100
178.6164.xxx2	500

Description

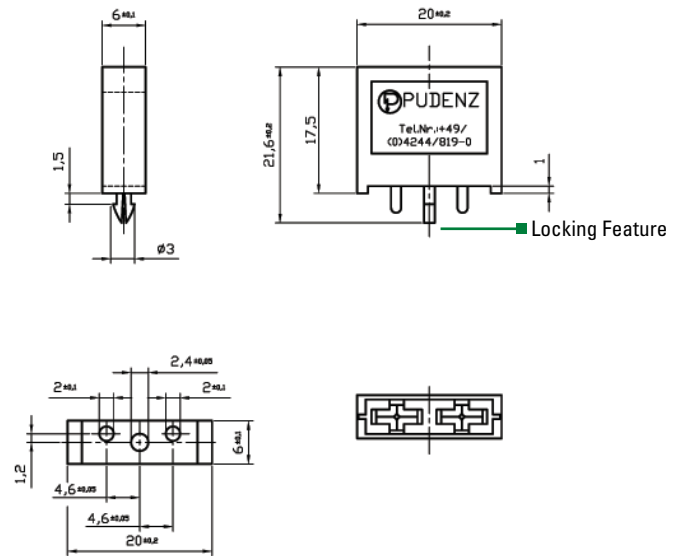
PCB Fuse Holder for ATO/FKS size fuse-links. For through hole soldering. Rated voltage 80V

Recommended Assembly



Note: The locking feature at the holder center must lock holder and PCB before welding.

Dimensions in mm



Ratings

Part Number	Description	Contact Temperature
178.6164.000_	Complete	max. 130°C



Visit Littelfuse.com for the most up-to-date product information. Littelfuse reserves the right to make product changes, without notice. Material in this document is as accurate as known at the time of publication.

X-ON Electronics

Largest Supplier of Electrical and Electronic Components

Click to view similar products for [Fuse Holder](#) category:

Click to view products by [Littelfuse](#) manufacturer:

Other Similar products are found below :

[570-290-741P40](#) [570-290-751P40](#) [020417G](#) [020418E](#) [6R30A1B](#) [F600A3B](#) [80910030](#) [8601.2020](#) [G15A2SPQ](#) [9-3557-GP REV A](#) [HDJ-B](#)
[R6J30A3S](#) [HFH-1](#) [RF30A2B](#) [RF30A3SP](#) [15600-08-10](#) [BK/FHN19G](#) [BK/HHM](#) [BK/HKP-CCHH](#) [BK/HKP-JJ](#) [BK/HTJ-LES-FUSE](#) [HMG-](#)
[241](#) [HTJ-LES-FUSE](#) [C4044-1](#) [2086-1](#) [2193](#) [2602](#) [2650](#) [178.000100](#) [FHN31G1](#) [T30A2B](#) [G4PB8](#) [2660](#) [2799](#) [CQ-209V](#) [HKP-CCHH](#)
[R6F30A2S](#) [341001A](#) [345621A](#) [CVRMCC](#) [4202](#) [4407](#) [4408](#) [4413](#) [4423](#) [4532](#) [4537](#) [TSD1404-12](#) [BK/FHN31G1](#) [BK/HC-5](#)