

FH2 STACKABLE BLOCK FUSE HOLDER

for TAC® Style Blade Fuse Rated 58V

RoHS



Specifications

Housing: Out of thermoplastic (UL 94-V0, heat-resistant)
 Connections: Leaf spring connector systems, crimp contacts, copper alloy, tinned
 Color: Black
 Cover: Thermoplastic (transparent)

Ordering Information

Part Number	Package Size
178.4205.0002	1000
178.4215.0002	1000
178.6116.xxx1	200
178.6116.xxx2	1000
178.6125.0001	100
178.6125.0002	1000

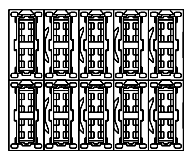
Description

Blockholder for 42V PowerNet with coding for TAC® fuses-links. Attachable in X- and Y-direction. Rated voltage 58V; crimp terminals.

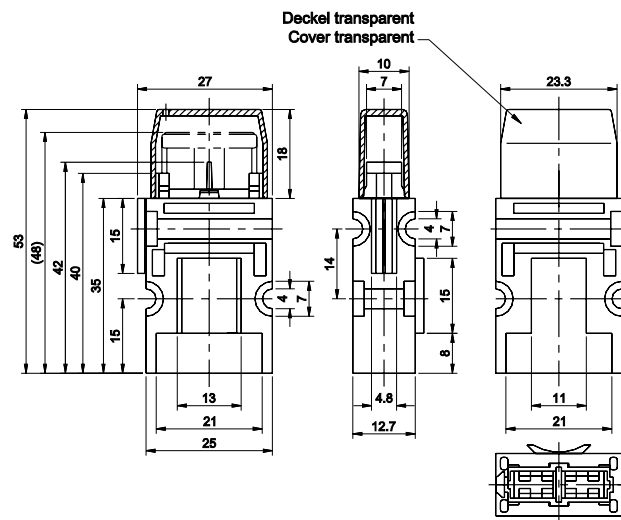
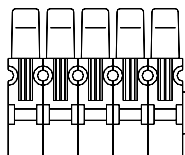
Dimensions

Dimensions in mm

Chart for row-mounting



10er/pcs. Block



Ratings

Part Number	Description	Contact Temperature
178.4205.000_	Complete with DFK 1.5 - 2.5 mm ²	max. 130°C
178.4215.000_	Housing	—
178.6125.000_	Cover	—
178.6116.100_	Complete with DFK 0.5 - 1.0 mm ²	max. 130°C
178.6116.250_	Contacts 1.5-2.5mm ²	max. 130°C
178.6116.600_	Contacts 4.0-6.0mm ²	max. 130°C

FH2 STACKABLE BLOCK FUSE HOLDER

for ATO® Style Blade Fuse Rated 80V

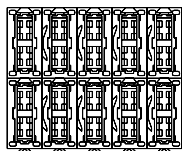
RoHS



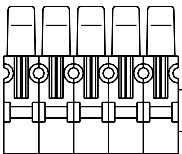
Description

Blockholder for ATO / FKS size fuses-links. Attachable in X- and Y-direction. Rated voltage 80V; crimp terminals.

Chart for row-mounting



10er/pcs. Block



Specifications

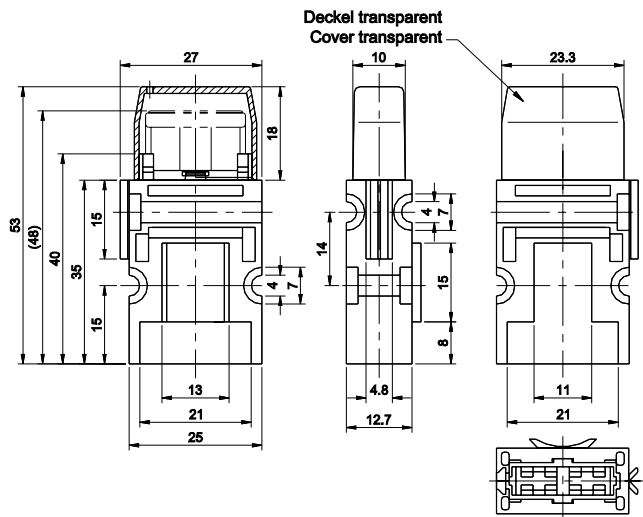
Housing: Out of thermoplastic (UL 94-V0, heat-resistant)
 Connections: Leaf spring connector systems, crimp contacts, copper alloy, tinned
 Color: Black
 Cover: Thermoplastic (transparent)

Ordering Information

Part Number	Package Size
178.6105.0001	100
178.6105.0002	1000
178.6115.0001	100
178.6115.0002	1000

Dimensions

Dimensions in mm



Ratings

Part Number	Description	Contact Temperature
178.6105.000_	Complete with DFK 1.5 - 2.5 mm ²	max. 130°C
178.6115.000_	Housing	-
178.6125.000_	Cover	-
178.6116.100_	DFK-Kontakte 0.5-1.0mm ²	max. 130°C
178.6116.250_	Contacts 1.5-2.5mm ²	max. 130°C
178.6116.600_	Contacts 4.0-6.0mm ²	max. 130°C

Corresponding fuse links see Section "Blade Fuses."

X-ON Electronics

Largest Supplier of Electrical and Electronic Components

Click to view similar products for [Fuse Holder](#) category:

Click to view products by [Littelfuse](#) manufacturer:

Other Similar products are found below :

[570-290-741P40](#) [570-290-751P40](#) [020417G](#) [020418E](#) [6R30A1B](#) [F600A3B](#) [80910030](#) [8601.2020](#) [G15A2SPQ](#) [9-3557-GP REV A](#) [HDJ-B](#)
[R6J30A3S](#) [HFH-1](#) [RF30A2B](#) [RF30A3SP](#) [15600-08-10](#) [BK/FHN19G](#) [BK/HHM](#) [BK/HKP-CCHH](#) [BK/HKP-JJ](#) [BK/HTJ-LES-FUSE](#) [HMG-](#)
[241](#) [HTJ-LES-FUSE](#) [C4044-1](#) [2086-1](#) [2193](#) [2602](#) [2650](#) [178.000100](#) [FHN31G1](#) [T30A2B](#) [G4PB8](#) [2660](#) [2799](#) [CQ-209V](#) [HKP-CCHH](#)
[R6F30A2S](#) [341001A](#) [345621A](#) [CVRMCC](#) [4202](#) [4407](#) [4408](#) [4413](#) [4423](#) [4532](#) [4537](#) [TSD1404-12](#) [BK/FHN31G1](#) [BK/HC-5](#)