

FH2 STACKABLE BLOCK FUSE HOLDER

for TAC® Style Blade Fuse Rated 58V

RoHS



Specifications

Housing: Out of thermoplastic (UL 94-V0, heat-resistant)
 Connections: Leaf spring connector systems, crimp contacts, copper alloy, tinned
 Color: Black
 Cover: Thermoplastic (transparent)

Ordering Information

Part Number	Package Size
178.4205.0002	1000
178.4215.0002	1000
178.6116.xxx1	200
178.6116.xxx2	1000
178.6125.0001	100
178.6125.0002	1000

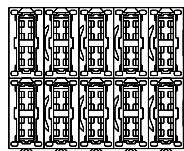
Description

Blockholder for 42V PowerNet with coding for TAC® fuses-links. Attachable in X- and Y-direction. Rated voltage 58V; crimp terminals.

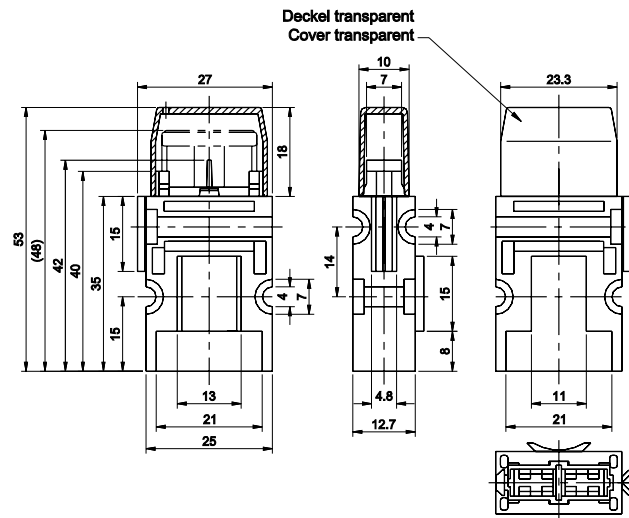
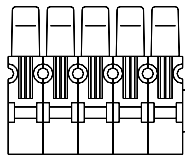
Dimensions

Dimensions in mm

Chart for row-mounting



10er/pcs. Block



Ratings

Part Number	Description	Contact Temperature
178.4205.000_	Complete with DFK 1.5 - 2.5 mm ²	max. 130°C
178.4215.000_	Housing	—
178.6125.000_	Cover	—
178.6116.100_	Complete with DFK 0.5 - 1.0 mm ²	max. 130°C
178.6116.250_	Contacts 1.5-2.5mm ²	max. 130°C
178.6116.600_	Contacts 4.0-6.0mm ²	max. 130°C

FH2 STACKABLE BLOCK FUSE HOLDER

for ATO® Style Blade Fuse Rated 80V

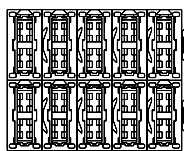
RoHS



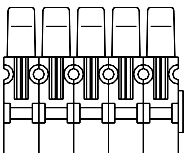
Description

Blockholder for ATO / FKS size fuses-links. Attachable in X- and Y-direction. Rated voltage 80V; crimp terminals.

Chart for row-mounting



10er/pcs. Block



Specifications

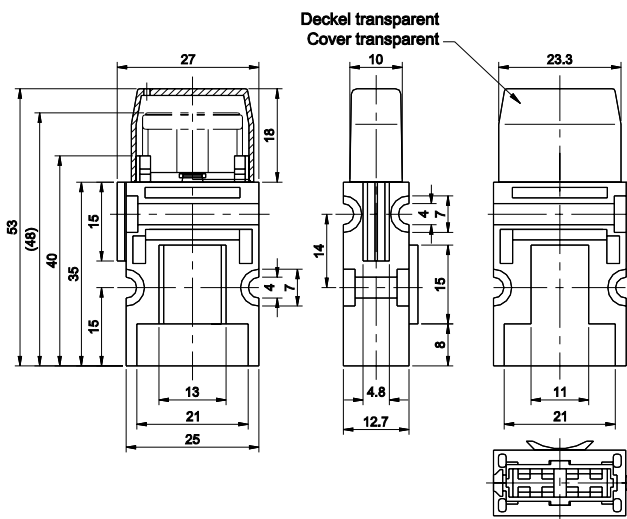
Housing: Out of thermoplastic (UL 94-V0, heat-resistant)
 Connections: Leaf spring connector systems, crimp contacts, copper alloy, tinned
 Color: Black
 Cover: Thermoplastic (transparent)

Ordering Information

Part Number	Package Size
178.6105.0001	100
178.6105.0002	1000
178.6115.0001	100
178.6115.0002	1000

Dimensions

Dimensions in mm



Ratings

Part Number	Description	Contact Temperature
178.6105.000_	Complete with DFK 1.5 - 2.5 mm ²	max. 130°C
178.6115.000_	Housing	-
178.6125.000_	Cover	-
178.6116.100_	DFK-Kontakte 0.5-1.0mm ²	max. 130°C
178.6116.250_	Contacts 1.5-2.5mm ²	max. 130°C
178.6116.600_	Contacts 4.0-6.0mm ²	max. 130°C

Corresponding fuse links see Section "Blade Fuses."

X-ON Electronics

Largest Supplier of Electrical and Electronic Components

Click to view similar products for [Fuse Clips](#) category:

Click to view products by [Littelfuse](#) manufacturer:

Other Similar products are found below :

[5960-64](#) [659524](#) [707190](#) [124472H](#) [BK/4222](#) [BK/4861-01](#) [1A5600](#) [JN1](#) [1A1310-05](#) [1A5940](#) [4121](#) [4207](#) [4861-01](#) [BK/1A5778](#) [BK/1A5779](#)
[BK1A5780](#) [BK/5682-02](#) [4180](#) [3561TR](#) [1A5780](#) [9483](#) [1A3400-12-R](#) [3519](#) [KEYSTONE](#) [01230001Z](#) [01000057H](#) [01020071Z](#) [01250001Z](#)
[05200001N](#) [0LCC6](#) [5960-09](#) [BK-1A5601-01](#) [8040.0001](#) [01000058Z](#) [01220087Z](#) [01020079Z](#) [01050002Z](#) [01070002Z](#) [01210002Z](#)
[BK/1A1119-05](#) [FC -102 bright tin](#) [FC -211 bright tin](#) [3515](#) [3517](#) [3520](#) [3522](#) [3529](#) [3533](#) [3534](#) [3544](#) [3545](#)