

FH2 STACKABLE BLOCK FUSE HOLDER

for TAC® Style Blade Fuse Rated 58V

RoHS



Specifications

Housing: Out of thermoplastic (UL 94-V0, heat-resistant)
 Connections: Leaf spring connector systems, crimp contacts, copper alloy, tinned
 Color: Black
 Cover: Thermoplastic (transparent)

Ordering Information

| Part Number | Package Size |
|---------------|--------------|
| 178.4205.0002 | 1000 |
| 178.4215.0002 | 1000 |
| 178.6116.xxx1 | 200 |
| 178.6116.xxx2 | 1000 |
| 178.6125.0001 | 100 |
| 178.6125.0002 | 1000 |

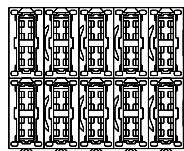
Description

Blockholder for 42V PowerNet with coding for TAC® fuses-links. Attachable in X- and Y-direction. Rated voltage 58V; crimp terminals.

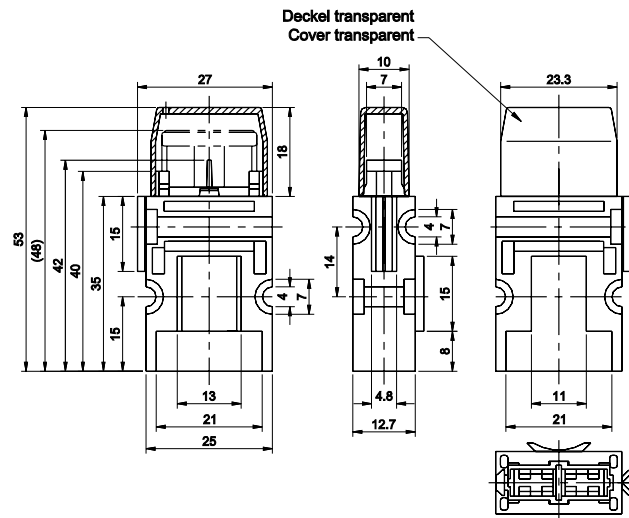
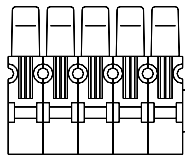
Dimensions

Dimensions in mm

Chart for row-mounting



10er/pcs. Block



Ratings

| Part Number | Description | Contact Temperature |
|---------------|---|---------------------|
| 178.4205.000_ | Complete with DFK 1.5 - 2.5 mm ² | max. 130°C |
| 178.4215.000_ | Housing | — |
| 178.6125.000_ | Cover | — |
| 178.6116.100_ | Complete with DFK 0.5 - 1.0 mm ² | max. 130°C |
| 178.6116.250_ | Contacts 1.5-2.5mm ² | max. 130°C |
| 178.6116.600_ | Contacts 4.0-6.0mm ² | max. 130°C |

FH2 STACKABLE BLOCK FUSE HOLDER

for ATO® Style Blade Fuse Rated 80V

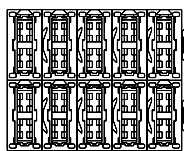
RoHS



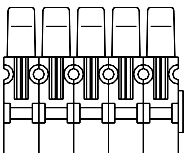
Description

Blockholder for ATO / FKS size fuses-links. Attachable in X- and Y-direction. Rated voltage 80V; crimp terminals.

Chart for row-mounting



10er/pcs. Block



Specifications

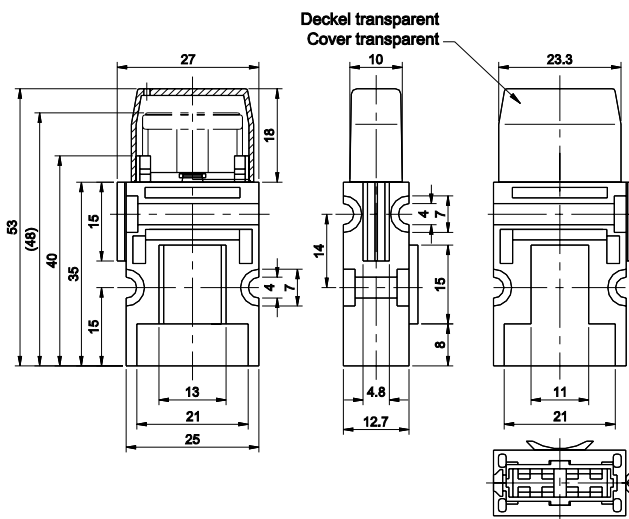
Housing: Out of thermoplastic (UL 94-V0, heat-resistant)
 Connections: Leaf spring connector systems, crimp contacts, copper alloy, tinned
 Color: Black
 Cover: Thermoplastic (transparent)

Ordering Information

| Part Number | Package Size |
|---------------|--------------|
| 178.6105.0001 | 100 |
| 178.6105.0002 | 1000 |
| 178.6115.0001 | 100 |
| 178.6115.0002 | 1000 |

Dimensions

Dimensions in mm



Ratings

| Part Number | Description | Contact Temperature |
|---------------|---|---------------------|
| 178.6105.000_ | Complete with DFK 1.5 - 2.5 mm ² | max. 130°C |
| 178.6115.000_ | Housing | - |
| 178.6125.000_ | Cover | - |
| 178.6116.100_ | DFK-Kontakte 0.5-1.0mm ² | max. 130°C |
| 178.6116.250_ | Contacts 1.5-2.5mm ² | max. 130°C |
| 178.6116.600_ | Contacts 4.0-6.0mm ² | max. 130°C |

Corresponding fuse links see Section "Blade Fuses."

X-ON Electronics

Largest Supplier of Electrical and Electronic Components

Click to view similar products for [Fuse Holder Accessories](#) category:

Click to view products by [Littelfuse](#) manufacturer:

Other Similar products are found below :

[BK/1A1337](#) [1A1853](#) [1A4421](#) [1A5220](#) [903-048](#) [1A1337](#) [1A4544](#) [1A5220-01](#) [CO2-10](#) [CO3-03](#) [348897](#) [B072-7007](#) [BK/1A4421](#) [BK/9732](#)
[X30110](#) [09030012H](#) [09050023H](#) [00970021HXNVDL](#) [00BS0232P](#) [CO2-04](#) [BK1A1853](#) [BK9834](#) [0880.0001](#) [00970053XP](#) [3566C](#)
[00970053H](#) [04450718ZX900](#) [CH10CL](#) [BP/FP-3](#) [58600000005](#) [33-012C](#) [880140](#) [00970023S](#) [880150](#) [PDM71009ZXM](#) [B109-7091-4](#) [B109-](#)
[7091-6](#) [B109-7091-5](#) [901-524](#) [CVR-RH-25100](#) [LFH60030FBC](#) [03540514Z](#) [03540526Z](#) [03540531Z](#) [03540541Z](#) [03540525Z](#) [03540537Z](#)
[03540539Z](#) [03540540Z](#) [FEH](#)