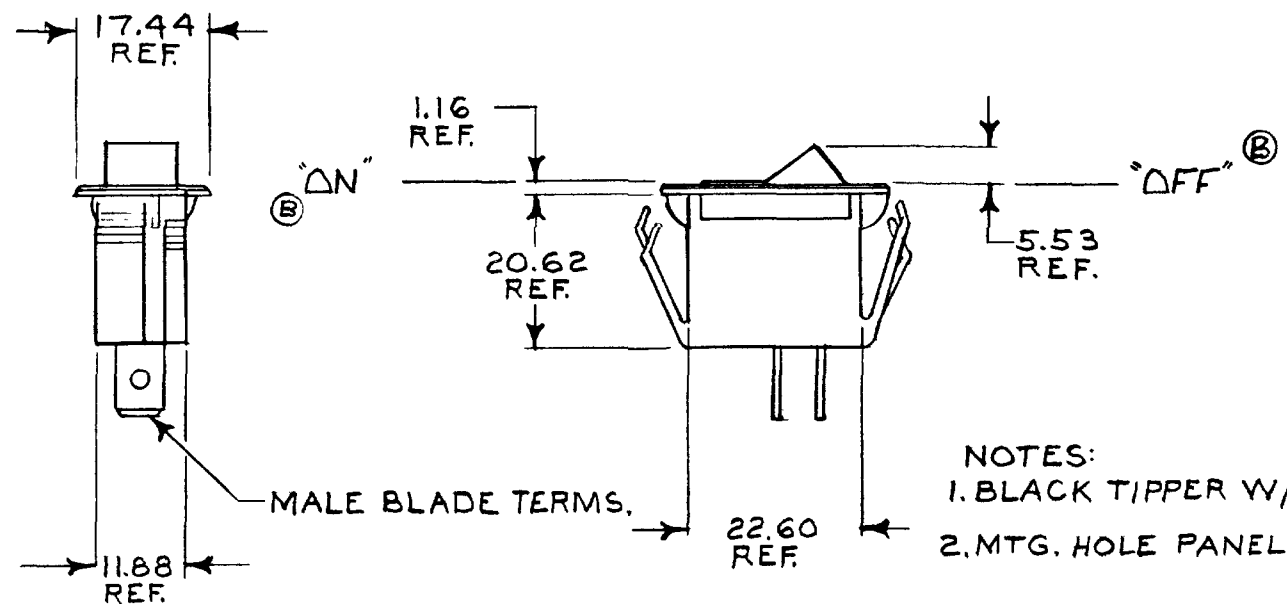
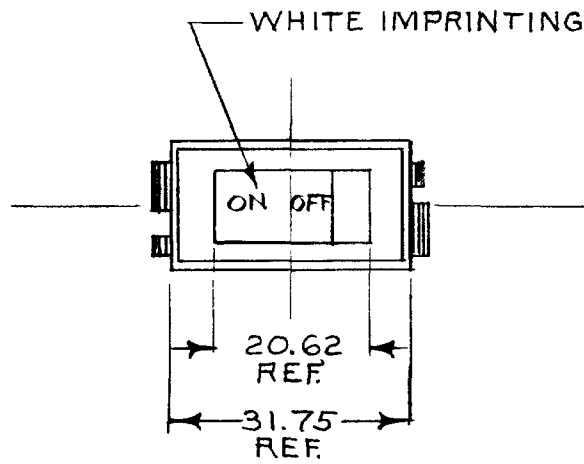
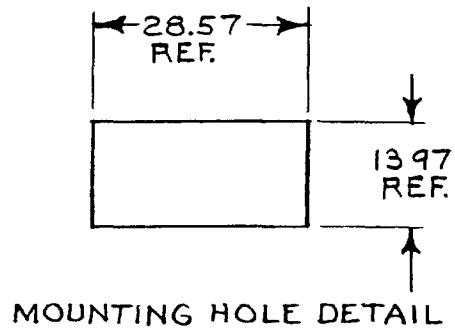


54000-03

1.16 .046  
 5.53 .218  
 11.88 .468  
 13.97 .550  
 17.44 .687  
 20.62 .812  
 22.60 .890  
 28.57 1.125  
 31.75 1.250



NOTES:  
 1. BLACK TIPPER W/BLACK BASE  
 2. MTG. HOLE PANEL .020 -.250 THK.

METRIC

EX 18093A

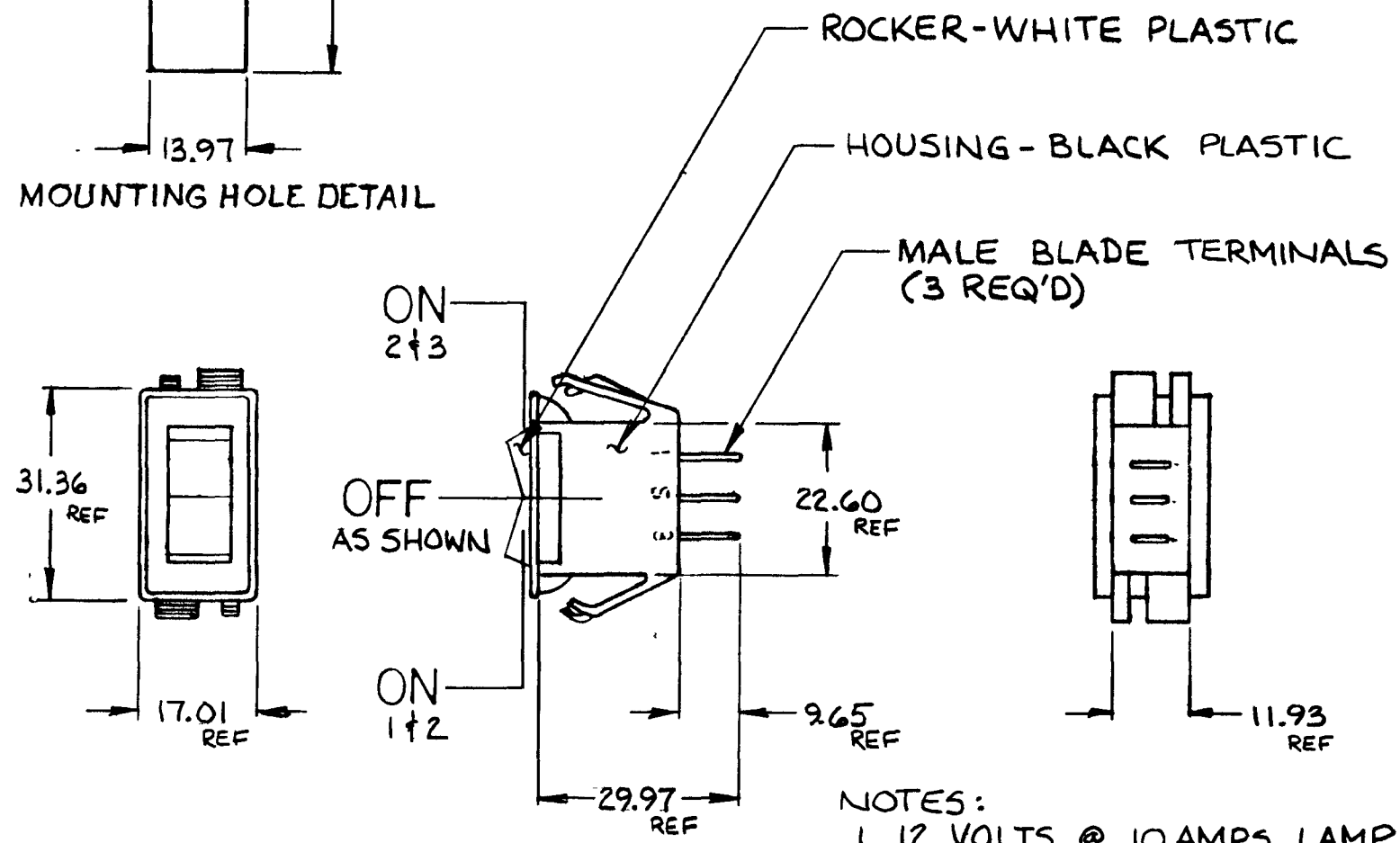
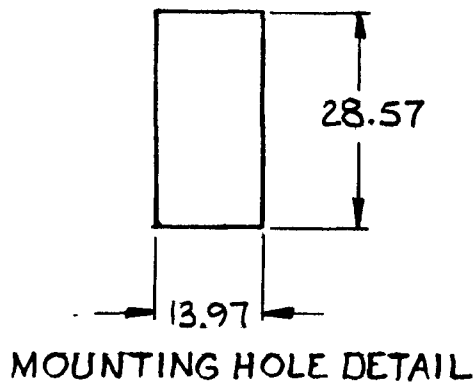
DO NOT SCALE

LET	WAS	DATE	BY	LET	WAS	DATE	BY	MATERIAL	DRAWN	CHECKED	APPRV D	SCALE	DATE DRAWN
								<i>X</i>	EA	<i>SU</i>		1:1	10-26-78
								FINISH	 20 OLD COLONY AVENUE SOUTH BOSTON MA U.S.A. 02127				DATE BLUEPRINT
								<i>X</i>					
				E	ECN 24161	8-24-89	JK	TOLERANCES	SWITCH, ROCKER, S.P.S.T. 54000-03				
				A	REDRAWN	11-19-84	AK	DECIMAL ±					
								METRIC ±					

H-188(4-78)

54001-02

MM	IN
.50	.020
6.35	.250
9.65	.380
11.93	.470
13.97	.550
17.01	.670
22.60	.890
28.57	1.125
29.97	1.180
31.36	1.235



NOTES:  
 1. 12 VOLTS @ 10AMPS LAMP LOAD.  
 2. MTG PANEL .50 TO 6.35 THK.

METRIC

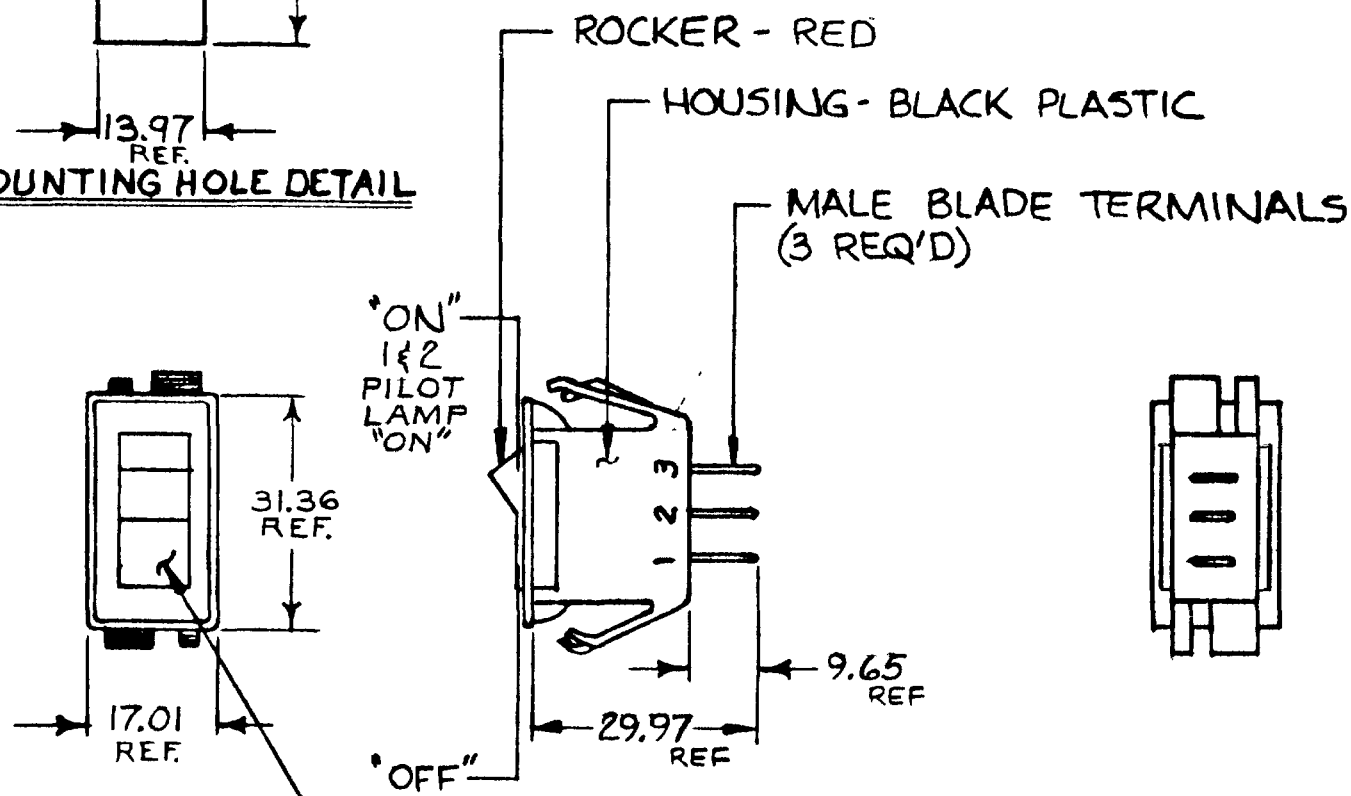
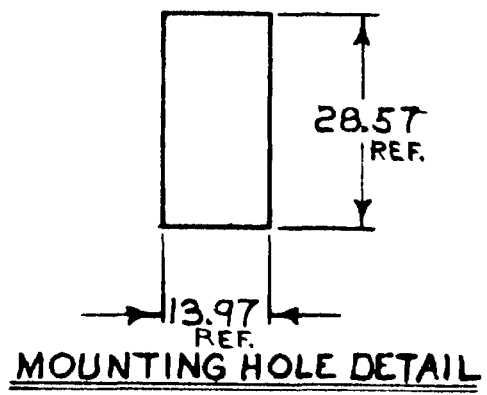
DO NOT SCALE

LET	WAS	DATE	BY	LET	WAS	DATE	BY	MATERIAL	DRAWN	CHECKED	APPR'D	SCALE	DATE DRAWN
								— # —	YAK	CS		1=1	5-21-84
								FINISH	 Cole Hersee Co. <small>20 OLD COLONY AVENUE SOUTH BOSTON, MA. U.S.A. 02127</small>				DATE BLUEPRINT
								— # —					
								TOLERANCES	ROCKER SWITCH				54001-02
								DECIMAL ±					
								METRIC ±					
					ISSUED	11-8-84	CS						

CH-188(4-78)

54003

MM	IN
.50	.020
6.35	.250
9.65	.380
13.97	.550
17.01	.670
28.57	1.125
29.97	1.180
31.36	1.235



- NOTES:**
- 12 VOLTS @ 10 AMPS LAMP LOAD.
  - MTG PANEL .50 TO 6.35 THK
  - PILOT LAMP 1 1/2

METRIC

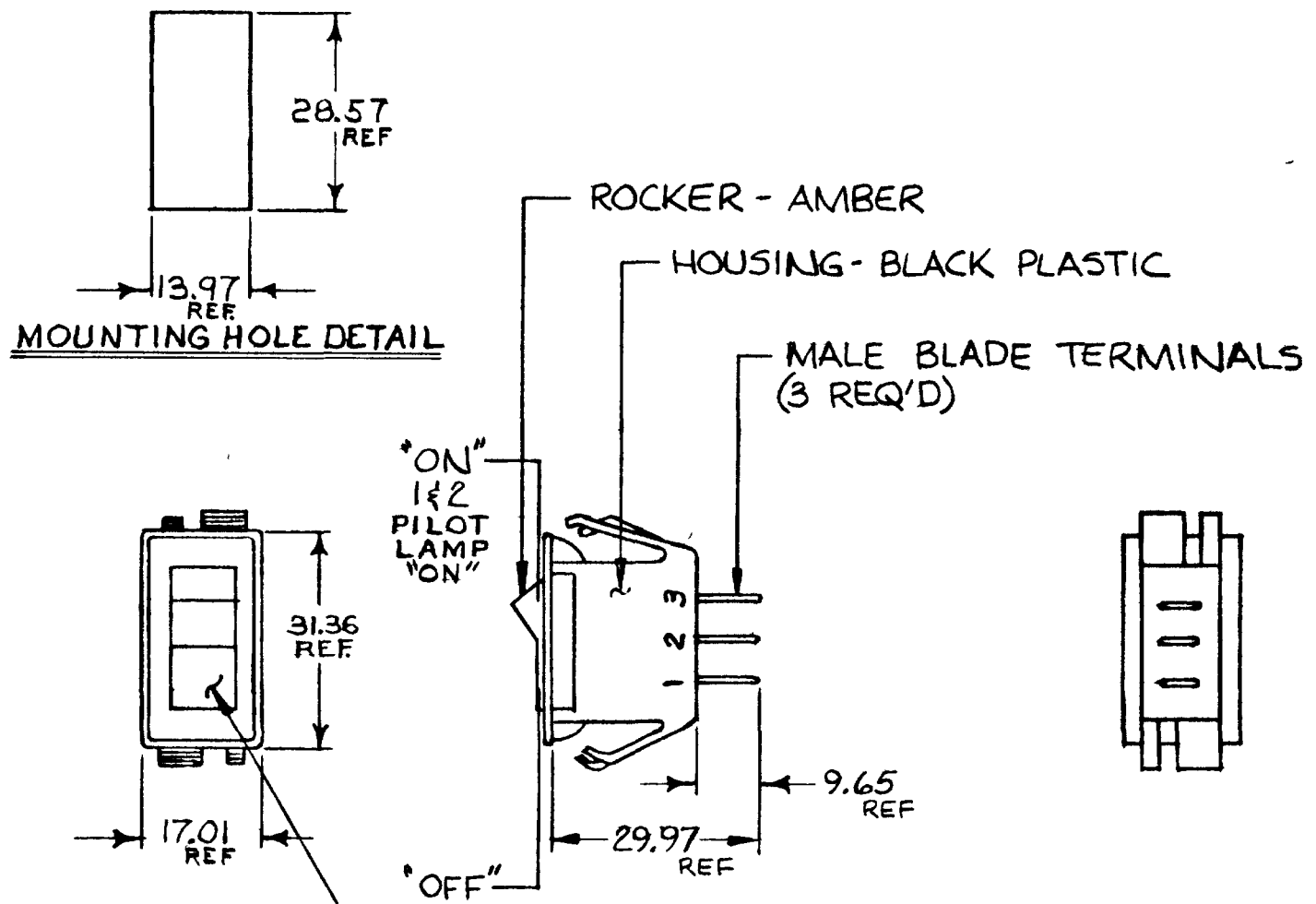
**DO NOT SCALE**

LET	WAS	DATE	BY	LET	WAS	DATE	BY	MATERIAL	DRAWN	CHECKED	APPR'D	SCALE	DATE DRAWN
								H	VAK	CS		1=1	5-19-84
								FINISH	 <b>Cole Hersee Co.</b> <small>1000 PLYMOUTH AVENUE SOUTH BEND, IN. U.S.A. 46601</small>				DATE BLUEPRINT
								H					
								TOLERANCES	<b>ROCKER SWITCH</b>				<b>54003</b>
								DECIMAL ±					
								METRIC ±					
					ISSUED	11-15-84	CS						

CH-188(4-78)

54003-01

MM	IN
.50	.020
6.35	.250
9.65	.380
13.97	.550
17.01	.670
28.57	1.125
29.97	1.180
31.36	1.235



AMBER ROCKER ILLUMINATED IN "ON" POSITION

- NOTES:
1. 12 VOLTS @ 10 AMPS LAMP LOAD.
  2. MTG PANEL .50 TO 6.35 THK
  3. PILOT LAMP 1 & 3

METRIC

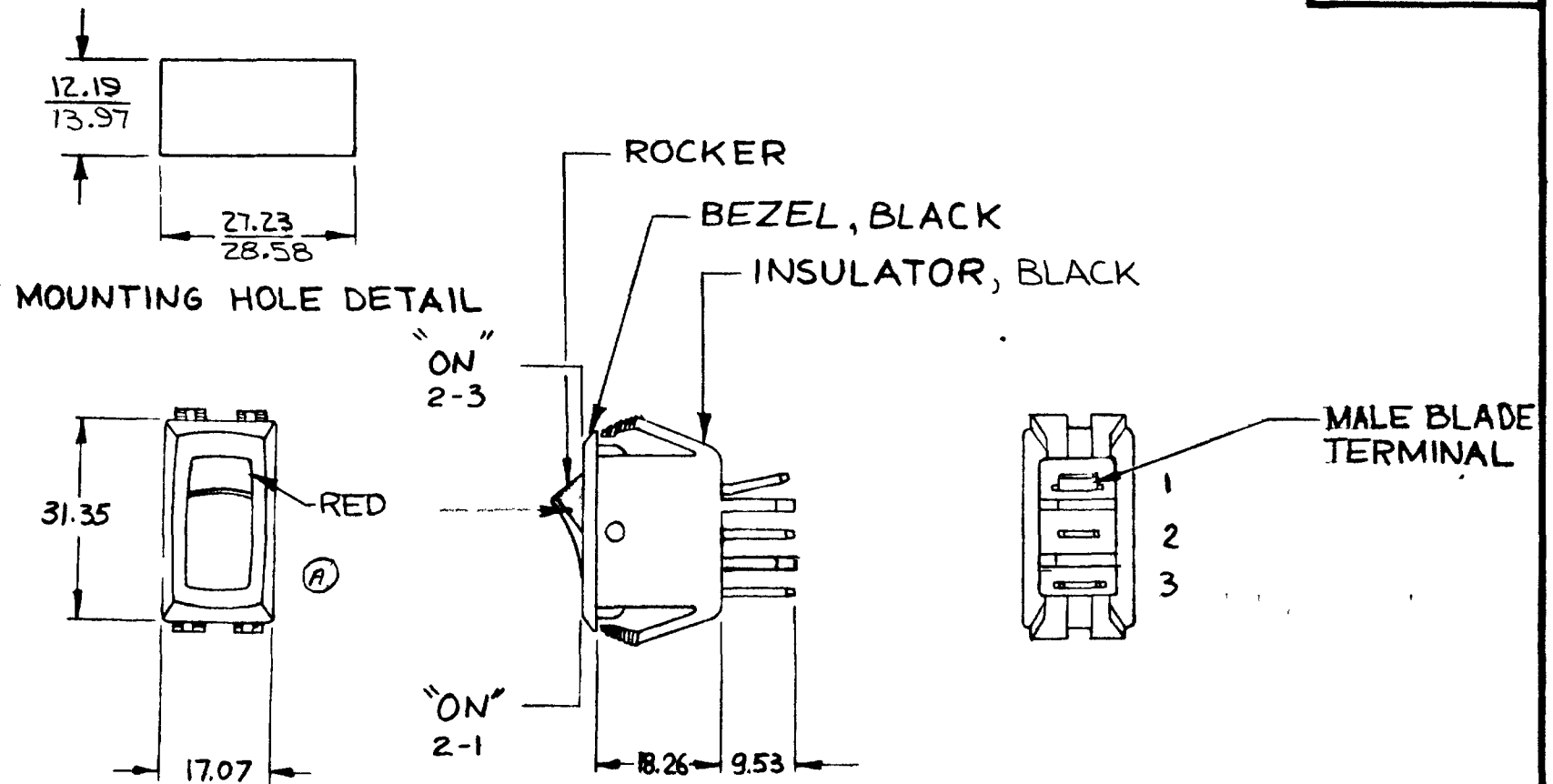
DO NOT SCALE

LET	WAS	DATE	BY	LET	WAS	DATE	BY	MATERIAL	DRAWN	CHECKED	APPRV'D	SCALE	DATE DRAWN
								H	VAK	CS		1=1	5-19-84
								FINISH	 <small>30 OLD COLONY AVENUE SOUTH BOSTON MA U.S.A. 02137</small>				DATE BLUEPRINT
								TOLERANCES					
					ISSUED	11-15-84	CS	DECIMAL ± METRIC ±	ROCKER SWITCH				54003-01

CH-188(4-78)

MM	IN
9.53	.375
12.19	.480
15.87	.550
17.07	.672
18.26	.719
27.23	1.072
28.58	1.125
31.35	1.234

54007



EX 22490A

METRIC

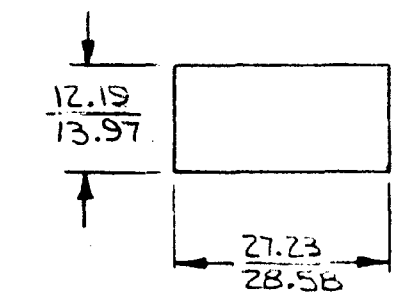
DO NOT SCALE

LET	WAS	DATE	BY	LET	WAS	DATE	BY	MATERIAL	DRAWN	CHECKED	APPRV'D	SCALE	DATE DRAWN
								—	ZU	<i>[Signature]</i>		1:1	3-5-87
								FINISH					DATE BLUEPRINT
								—					
				A	ECN 23491	4/16/87	RF	TOLERANCES	 Cole Hersee Co. <small>20 OLD COLONY AVENUE SOUTH BOSTON MA U.S.A. 02127</small>				
					ISSUED	3-9-87	RF	DECIMAL ± METRIC ±					SWITCH, ROCKER, SPDT

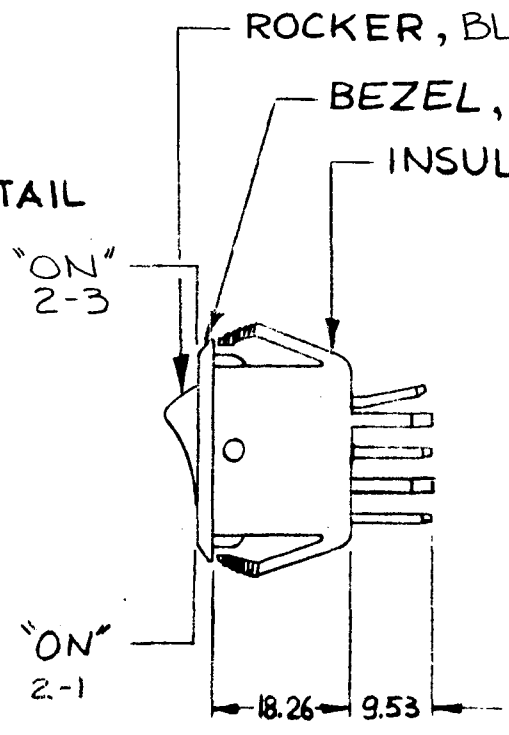
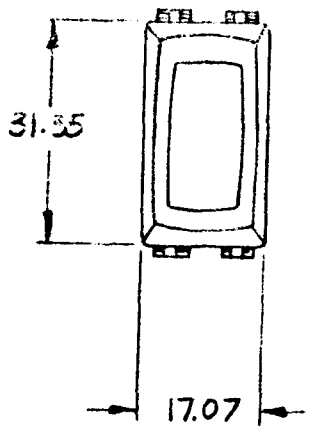
CH-188(4-78)

54010

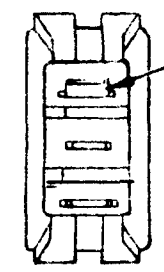
MM	IN
9.53	.375
12.19	.480
15.87	.625
17.07	.672
18.26	.719
27.23	1.072
28.58	1.125
31.55	1.234



MOUNTING HOLE DETAIL



ROCKER, BLACK  
BEZEL, BLACK  
INSULATOR, BLACK



MALE BLADE TERMINAL

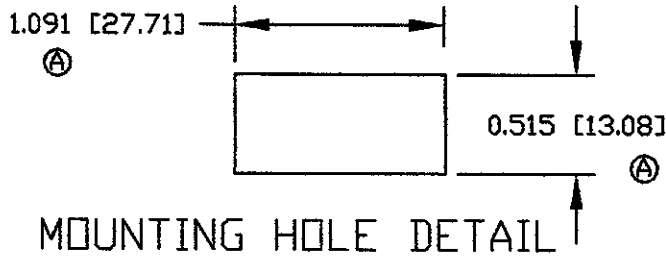
METRIC

DO NOT SCALE

LET.	WAS	DATE	BY	LET	WAS	DATE	BY	MATERIAL	DRAWN	CHECKED	APPR'D.	SCALE	DATE DRAWN
								—	LIZ	[Signature]		1:1	9-19-88
								FINISH	 Cole Hersee Co. <small>20 OLD COLONY AVENUE SOUTH BOSTON, MA U.S.A. 02127</small>				DATE BLUEPRINT
								TOLERANCES					SWITCH, ROCKER, SPDT
								DECIMAL ±					
								METRIC ±					

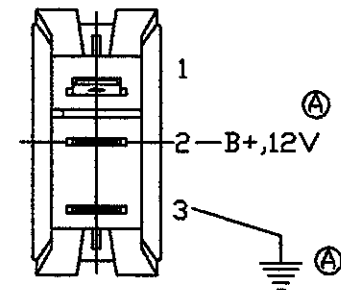
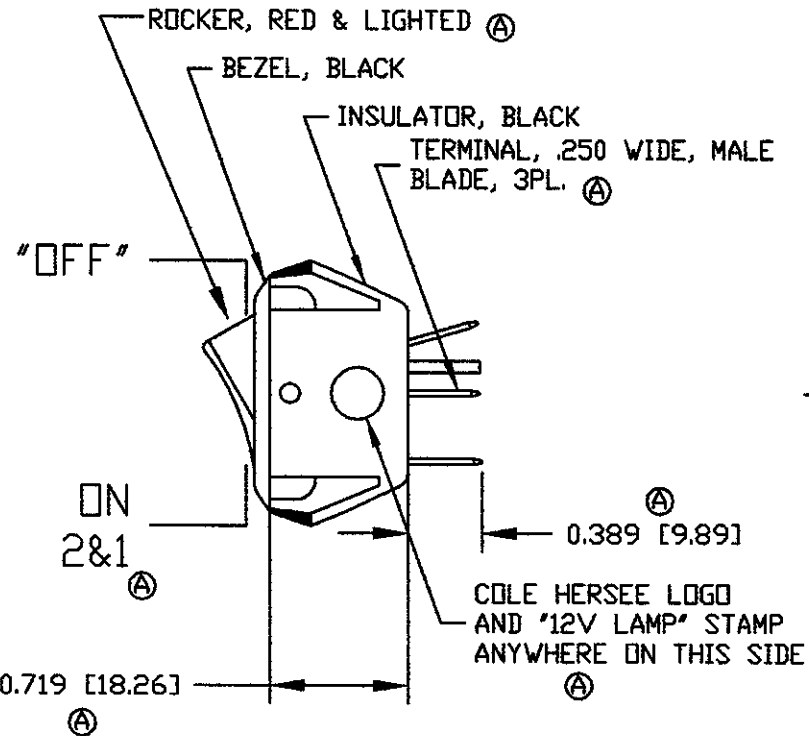
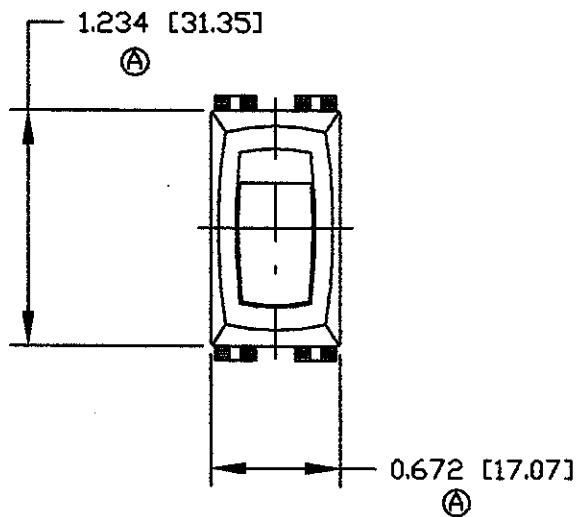
ISSUED 10-5-88 MF

CH-1894-78



**Revision Control Record**

Rev.	Description of Change	ECN No.	Date
A	CAD DRAWING & CHANGES	06281	08/22/06



(A) NOTE.  
 1. PILOT LIGHT ON WHEN SWITCH IS ON  
 2. ALL DIMENSIONS ARE REFERENCE

**Tolerances.** Unless otherwise specifically noted, the following are default tolerances:  
 \* 2-place Decimal Dimensions +/- .02"  
 \* 3-place Decimal Dimensions +/- .005"  
 \* Angular Dimensions +/- 1.0 Deg.  
 \* Metric: Refer to equivalent English Dimension Tolerance  
 >>> NOTE: All tolerances are Non-Cumulative. <<<

**Dimensional Units.** All dimensions are expressed in inches except those shown in brackets (xxx) are expressed in millimeters

"REF." or an Asterisk (\*) = Non-Toleranced Reference Dimension, shown for clarification purposes only.

Used On or Ref.: Scale: **1:1** Drawn By: **ZU** Date Drawn: **09/19/88**

**PROPRIETARY INFORMATION.** This Engineering Drawing, and the information contained herein, is proprietary to Cole Hersee Company and may not be disclosed, re-produced, or in any other way transferred or communicated to any other party without the express written consent of an authorized representative of Cole Hersee Company.

**DESIGN CONTROL.** It is the responsibility of the individual using/ referencing this drawing to assure that the noted design revision level agrees with the revision level of the Controlled Document (Master Drawing). This is a NON-CONTROLLED DOCUMENT unless otherwise specifically noted.

DO NOT SCALE - Dimensional variation may occur during printing/ reproduction.

**Special Characteristics:**

- Critical Characteristic, relating to Safety and/or Regulatory Compliance
- Significant Characteristic relating to Process Control (SPC)
- Key Characteristic relating to Form - Fit - Function as defined by Cole Hersee Company and/or the Customer

(Note that the identification of any Characteristics as being "special" does not alter the requirement that ALL specified dimensions & tolerances must be met.)

Responsible Engineer: **G.AUGUSTE** Pg. 1 of 1

**Cole Hersee Co.**  
 20 Old Colony Ave., South Boston, MA, 02127  
 Fax: 617-268-2100 Web: www.colehersee.com

**Description:** SWITCH, ROCKER, SPST ILLUMINATED

Drawing / Part No.: **54012** Current Rev.: **A**

## X-ON Electronics

Largest Supplier of Electrical and Electronic Components

*Click to view similar products for [Rocker Switches](#) category:*

*Click to view products by [Littelfuse](#) manufacturer:*

Other Similar products are found below :

[LTI LA6E-1S-WH-RC-FN12VXCR1](#) [6-1571986-9](#) [8007K26N324V52](#) [8055K32Z7V](#) [8055K52Z7V](#) [8138K20E6M50](#) [84206L](#) [84312LX](#)  
[PREDD5-07F-BB0GW](#) [999-16716-002](#) [999-16716-003](#) [999-16716-004](#) [A101J1V3Q004](#) [A101J2ZQ004](#) [A101J4ZQ004](#) [A101J51CB0004](#)  
[A103J1ZQ004](#) [A201J1AQ004](#) [A201J3ZB004](#) [A201J50ZQ004](#) [A203J51ZQ0004](#) [A435S1YZQ](#) [H8500XBBBBL-A](#) [H8653VBBG2577W](#)  
[HB130CHNWWNAAC](#) [R13112ABB-602W](#) [1251.0303](#) [AE205J60V3B004](#) [1352.0107](#) [1500G51E](#) [1571099-3](#) [1571987-4](#) [1571987-5](#)  
[1571989-7](#) [1571988-5](#) [B123J77V7B2](#) [B226J50W4Q22P](#) [B433J37ZQ22M](#) [160212E](#) [1634200-7](#) [1801.1164](#) [1839.1502](#) [PANEL-PLUG-VHP-](#)  
[BLACK](#) [PANEL-PLUG-VHP-WT](#) [K1ABBSCADN](#) [K2ABAAAAAA](#) [KG312A2DXD246X](#) [250011E714](#) [2600HM11E](#) [2600R21E](#)