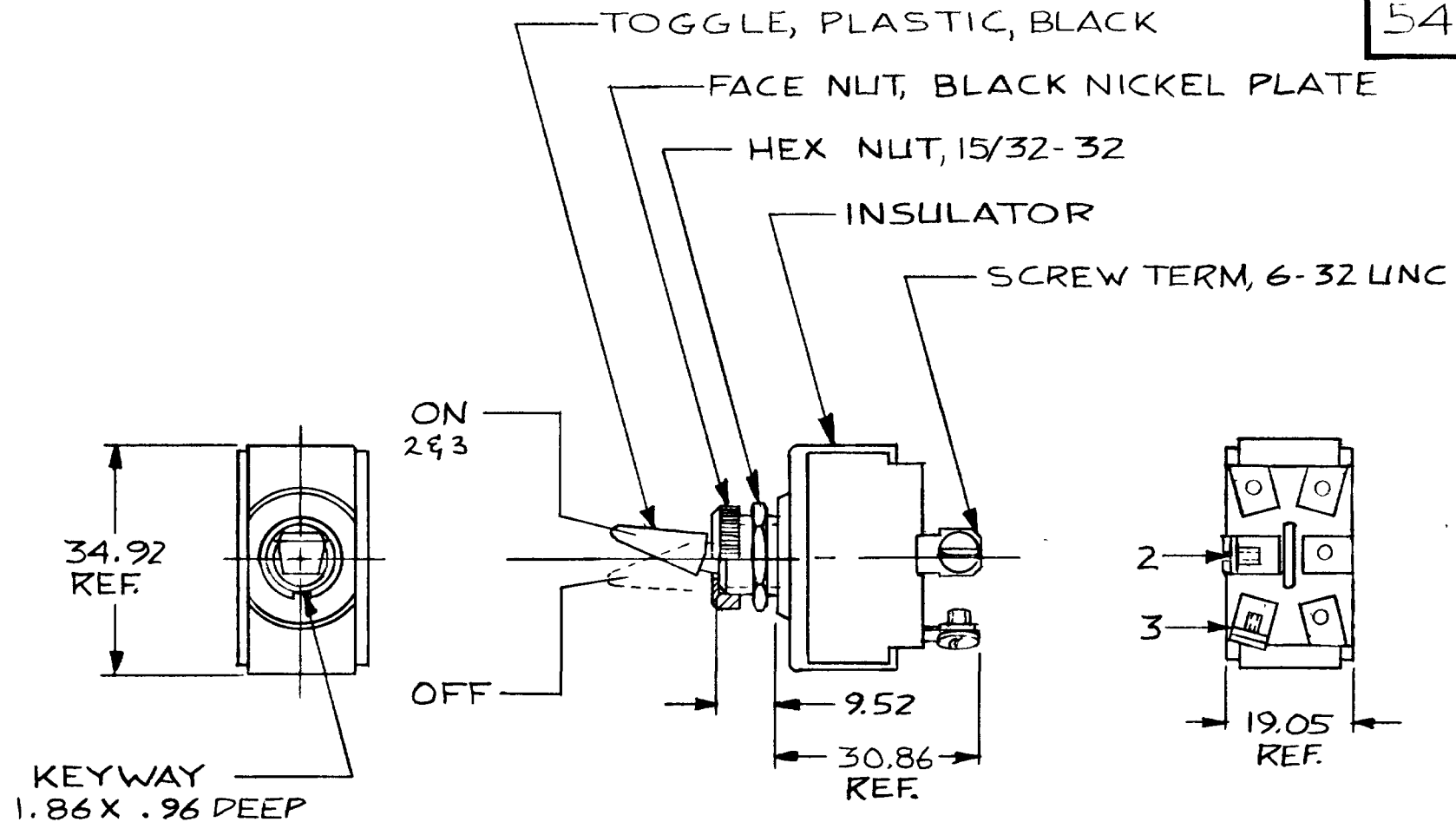


MM IN
 .96 .038
 1.82 .072
 9.52 .375
 19.05 .750
 30.86 1.215
 34.92 1.375


54100



NOTES
 1. SILVER CONTACTS
 2. RATING: 25AMPS @12V. DC.
 LAMP LOAD

METRIC

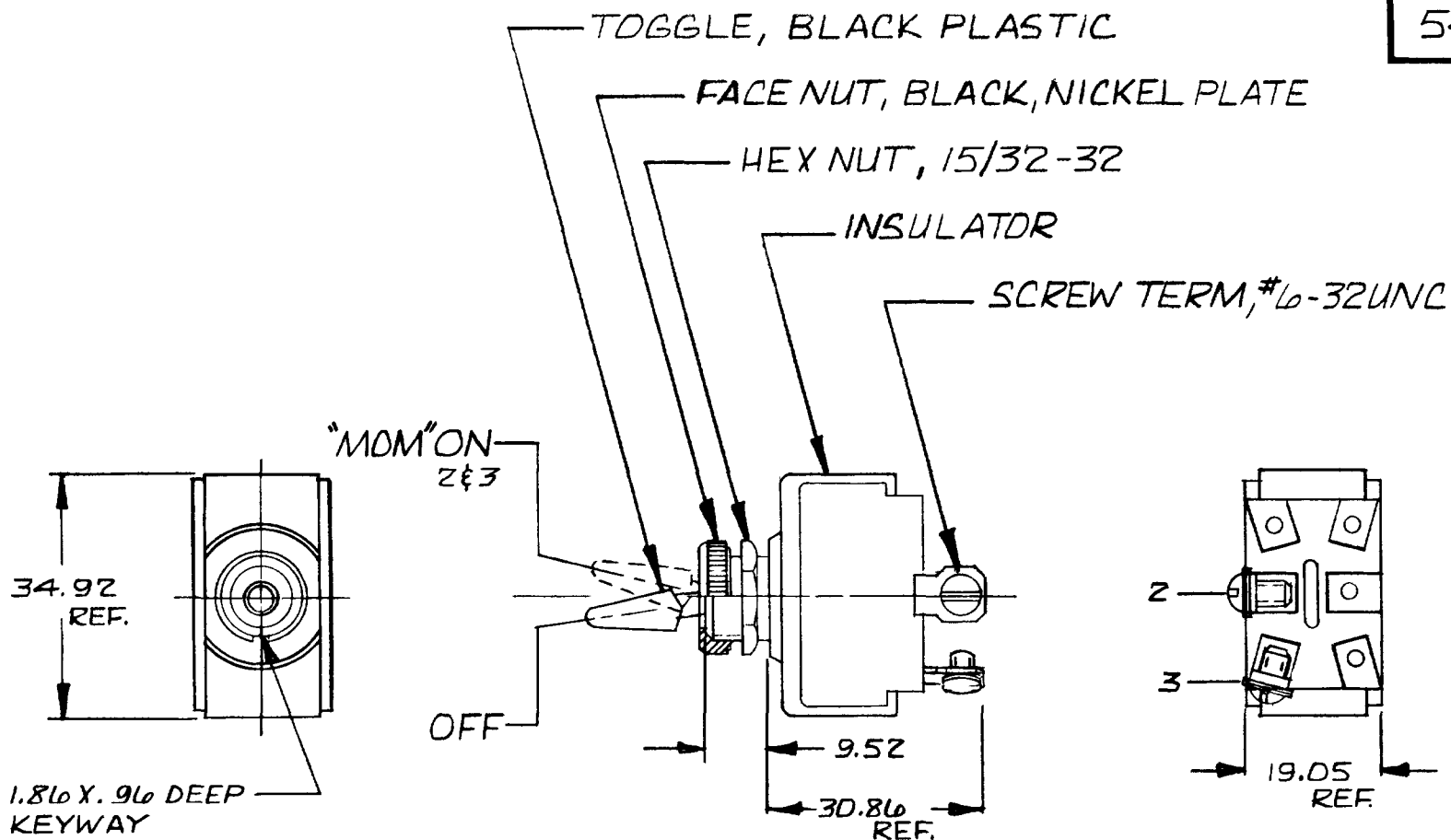
DO NOT SCALE

LET	WAS	DATE	BY	LET	WAS	DATE	BY	MATERIAL	DRAWN	CHECKED	APPR'D	SCALE	DATE DRAWN
								—H—	DPS	RJA		1:1	10-5-81
								FINISH	 20 OLD COLONY AVENUE SOUTH BOSTON MA U.S.A. 02127				DATE BLUEPRINT
								—H—					
								TOLERANCES	S.P.S.T. TOGGLE SW.				54100
								DECIMAL ±.010					
					ISSUED	11-2-81	RJA	METRIC ±.25					

CH-188(4-78)

	.010
.96	.038
1.82	.072
9.52	.375
19.05	.750
30.86	1.215
34.92	1.375


54101



- NOTES:
1. SILVER CONTACTS
 2. RATING 25AMP @ 12V DC LAMP LOAD

METRIC

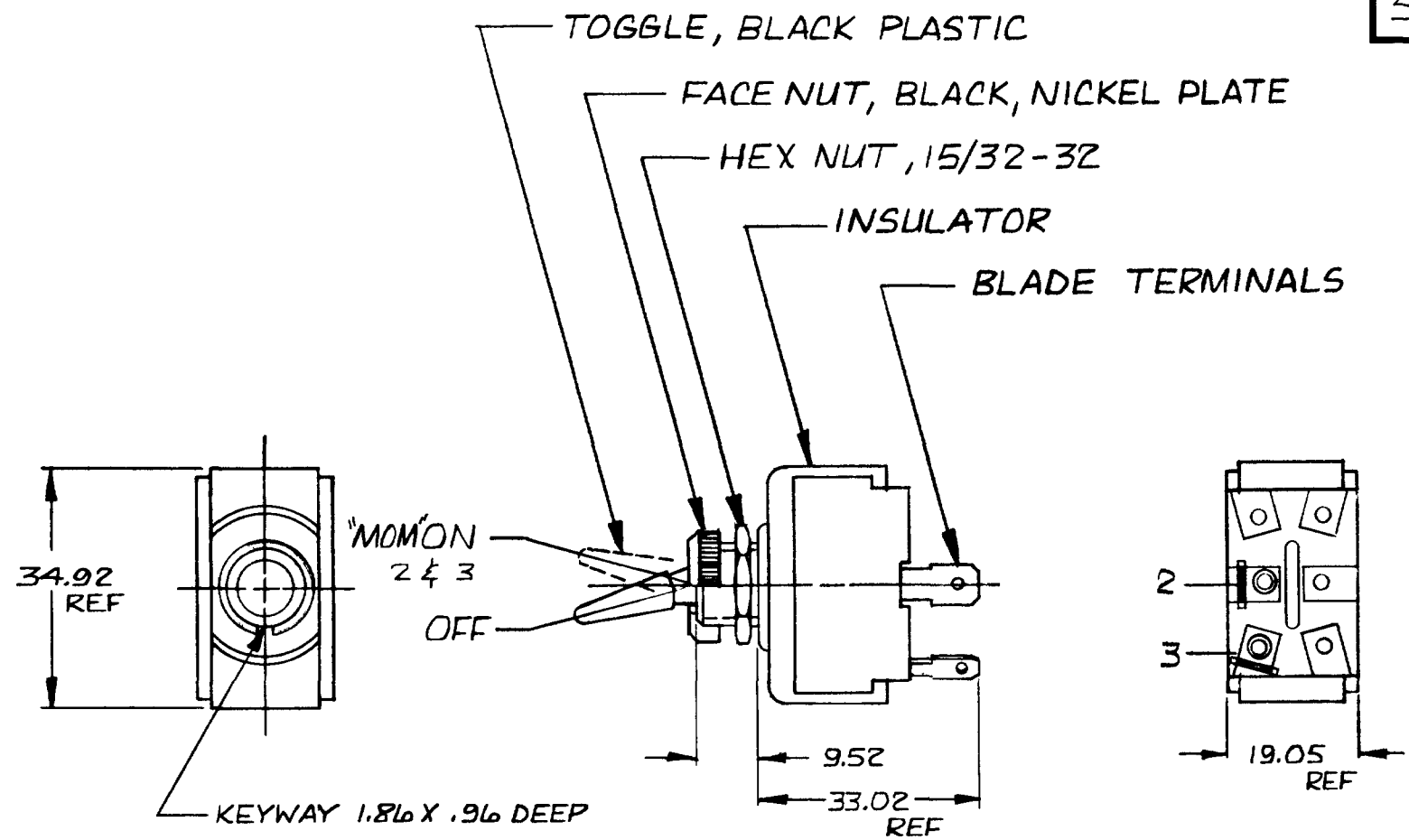
DO NOT SCALE

LET	WAS	DATE	BY	LET	WAS	DATE	BY	MATERIAL	DRAWN	CHECKED	APPRV D	SCALE	DATE DRAWN
								— # —	Ⓡ	RJA		1:1	11-3-81
								FINISH	 Cole Hersee Co. <small>20 OLD COLONY AVENUE SOUTH BOSTON MA U.S.A. 02127</small>				DATE BLUEPRINT
								— # —					
								TOLERANCES	S.P.S.T. TOGGLE SWITCH				54101
								DECIMAL ±					
								METRIC ± .25					

CH-188(4-78)

MM	IN
.25	.010
.96	.038
1.86	.072
9.52	.375
19.05	.750
33.02	1.300
34.92	1.375


54101-01



- NOTES:
1. SILVER CONTACTS
 2. RATING: 25 AMPS @ 12 VDC LAMP LOAD

METRIC

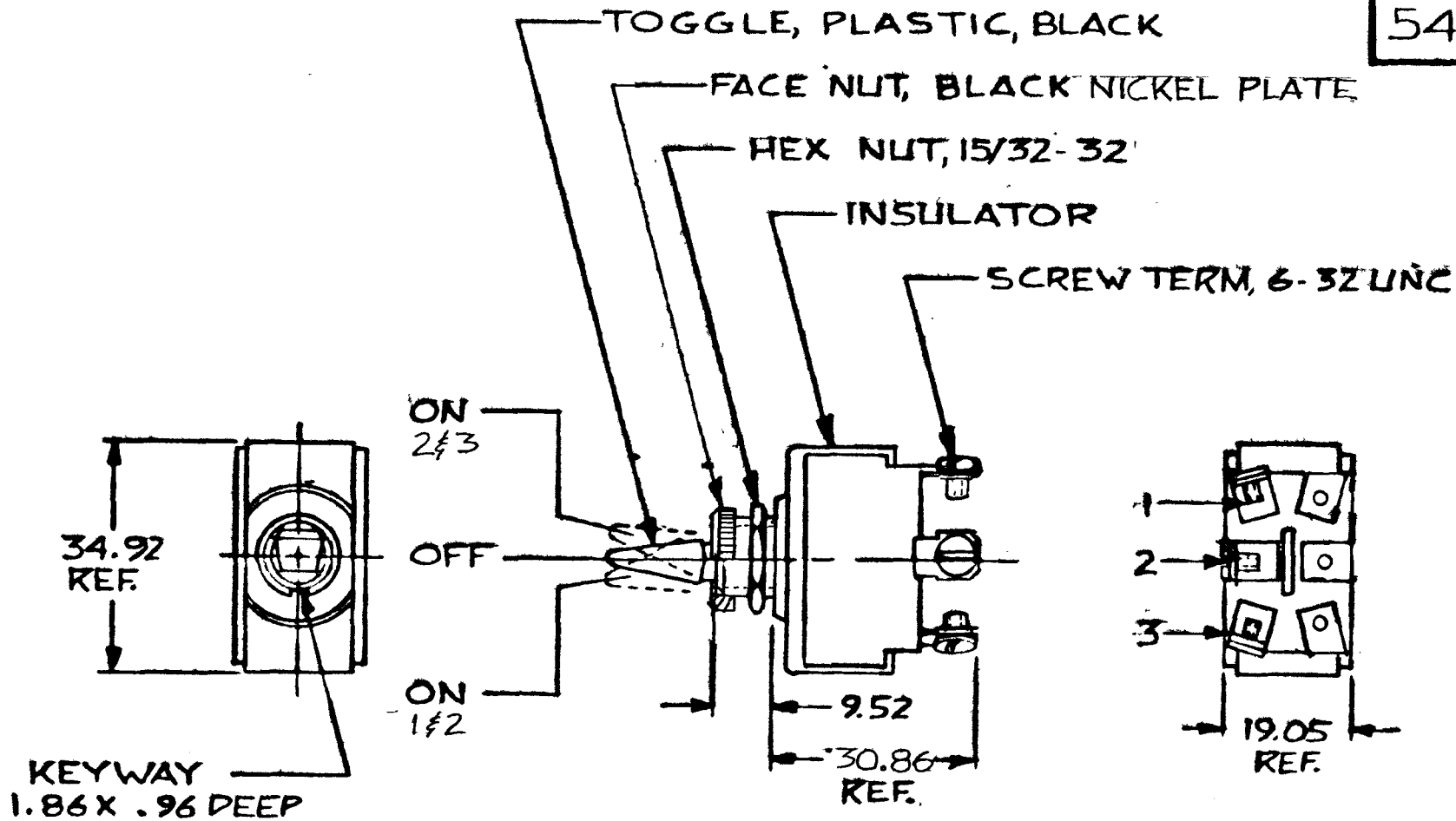
DO NOT SCALE

LET	WAS	DATE	BY	LET	WAS	DATE	BY	MATERIAL	DRAWN	CHECKED	APPRV D	SCALE	DATE DRAWN
								#	R	RJA		1:1	11-5-81
								FINISH	 Cole Hersee Co. <small>20 OLD COLONY AVENUE SOUTH BOSTON MA U.S.A. 02127</small>				DATE BLUEPRINT
								TOLERANCES					S.P.-S.T. MDM. TOGGLE SW.
								DECIMAL ±					
								METRIC ±.25					

CH-188(4-78)

MM	IN
.96	.038
1.82	.072
9.52	.375
19.05	.750
30.86	1.215
41.27	1.375


54103



- NOTES
1. SILVER CONTACTS
 2. RATING: 25 AMPS @ 12V. DC LAMP LOAD

METRIC

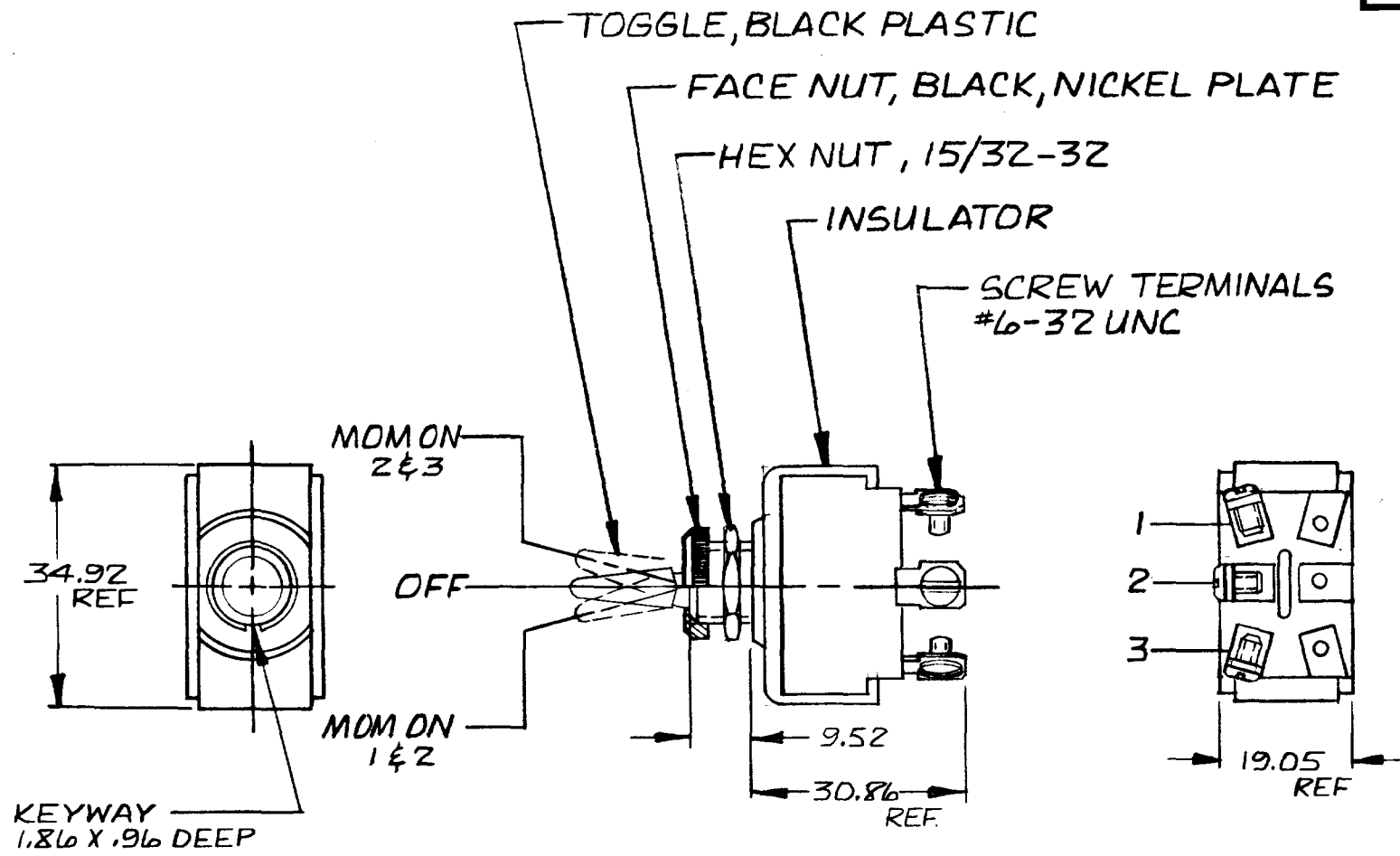
DO NOT SCALE

LET	WAS	DATE	BY	LET	WAS	DATE	BY	MATERIAL	DRAWN	CHECKED	APPRV D	SCALE	DATE DRAWN
								— # —	DPS	RAJ		1:1	10-5-81
								FINISH	 <small>80 OLD COLONY AVENUE SOUTH BOSTON MA U.S.A. 02127</small>				DATE BLUEPRINT
								— # —					
								TOLERANCES	SPDT TOGGLE SW. 54103				54103
								DECIMAL ±.010					
								METRIC ±.25					
								ISSUED					
								11-2-81					
								RAJ					

10014-78

54104

MM	IN
.25	.010
.96	.038
1.82	.072
9.52	.375
19.05	.750
30.86	1.215
34.92	1.375



NOTES:
 1. SILVER CONTACTS
 2. RATING: 25 AMPS @ 12V DC LAMP LOAD

METRIC

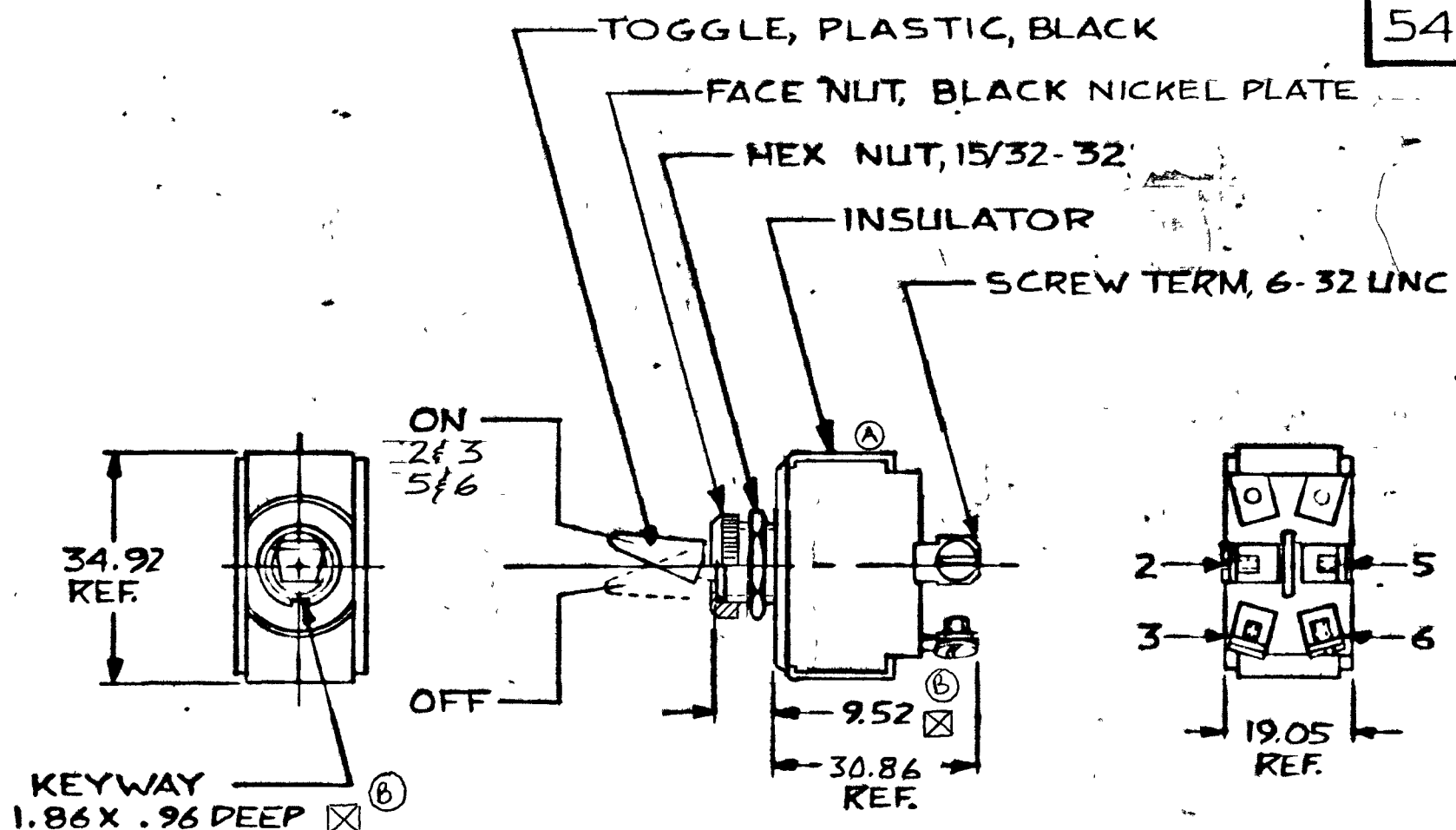
DO NOT SCALE

LET.	WAS	DATE	BY	LET	WAS	DATE	BY	MATERIAL	DRAWN	CHECKED	APPR'D	SCALE	DATE DRAWN
								—//—	CB	RJT		1:1	11-5-81
								FINISH	 Cole Hersee Co. <small>25 OLD COLONY AVENUE SOUTH BOSTON MA, U.S.A. 02127</small>				DATE BLUEPRINT
								—//—					
								TOLERANCES	S.P.-D.T. MOM TOGGLE SW				54104
								DECIMAL ±					
								METRIC ± .25					
					Issued	11-6-81	CH						

CH-188(4-78)

MM IN
 .96 .038
 1.82 .072
 9.52 .375
 19.05 .750
 30.86 1.215
 34.92 1.375


54105



NOTES
 1. SILVER CONTACTS
 2. RATING: 25AMPS @12V. DC LAMP LOAD

METRIC

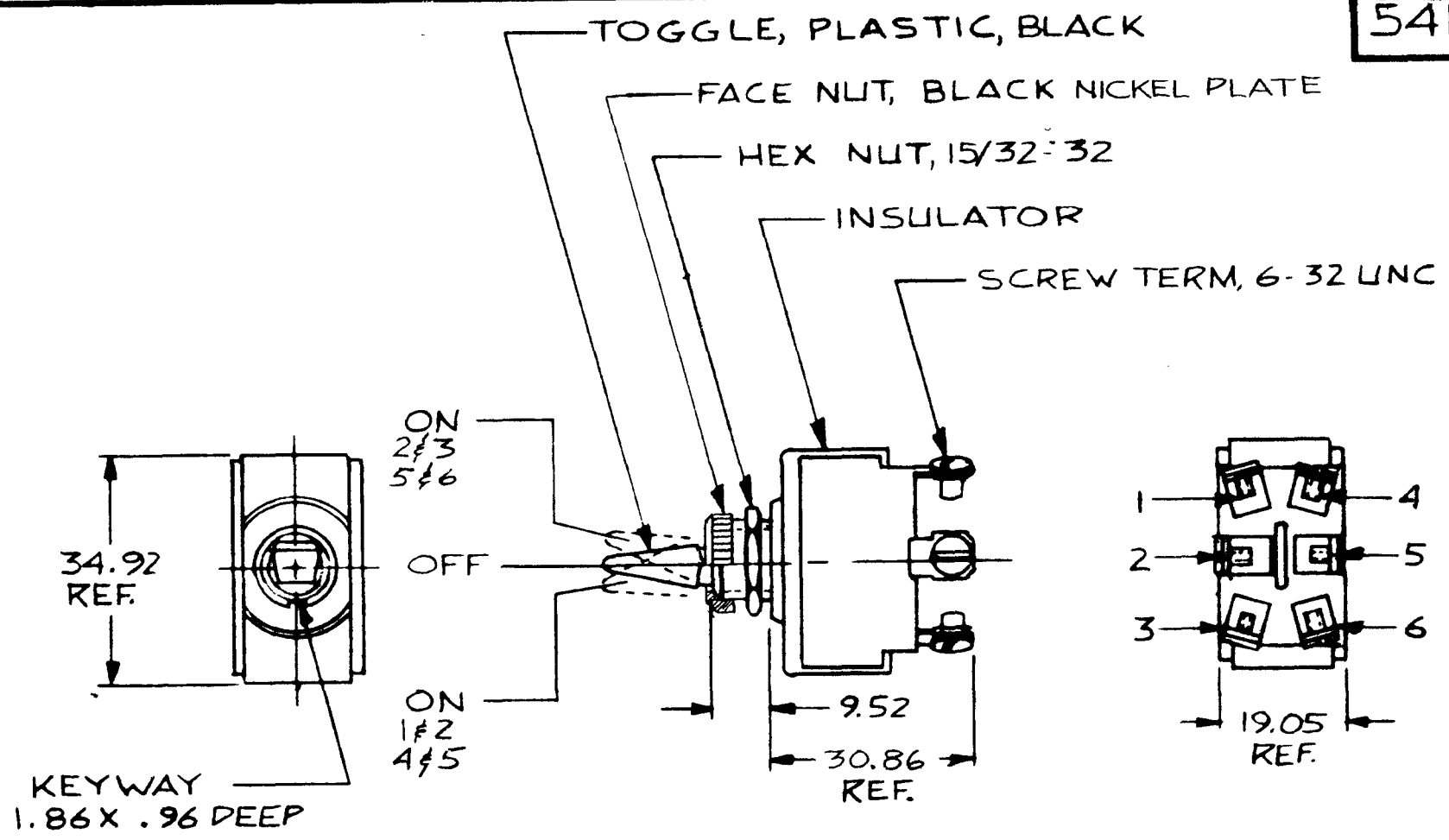
DO NOT SCALE

LET	WAS	DATE	BY	LET	WAS	DATE	BY	MATERIAL	DRAWN	CHECKED	APPRV'D	SCALE	DATE DRAWN
								—#—	DPS	RJZ		1:1	10-5-81
								FINISH	 20 OLD COLONY AVENUE SOUTH BOSTON MA USA 02127				DATE BLUEPRINT
				B	ADD SYMBOL	2/25/82	AF	—#—					
				A	REVISE VIEW / 23007	3/19/86	YAK	TOLERANCES	D.P.S.T. TOGGLE SW.				54105
					ISSUED	11-2-81	RJR	DECIMAL ±.010 METRIC ±.25					

EN 18814-78

54107

M	IN
.96	.038
.82	.072
.52	.375
10.05	.750
30.86	1.215
31.92	1.375



NOTES
 1. SILVER CONTACTS
 2. RATING: 25 AMPS @ 12V. DC LAMP LOAD

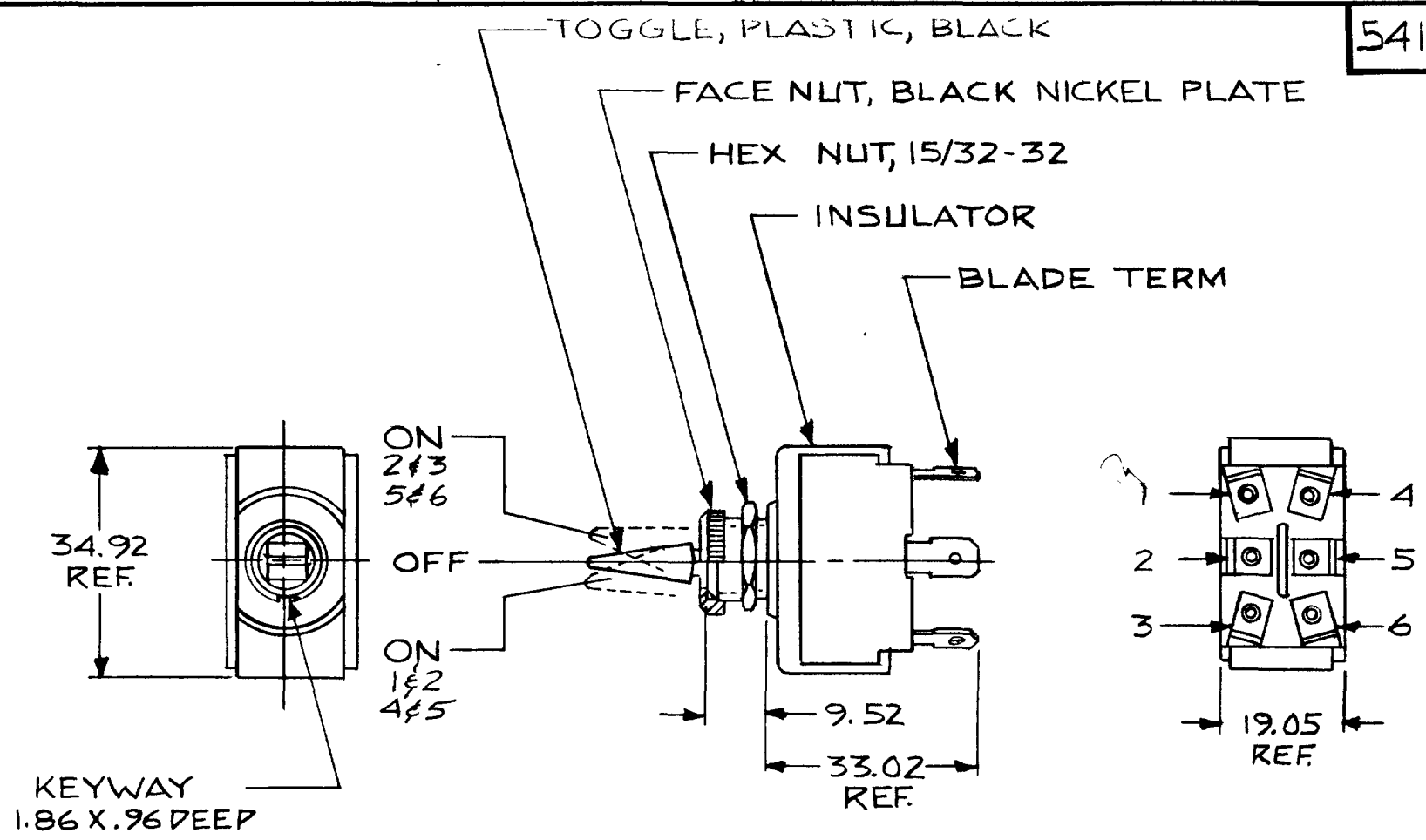
METRIC

DO NOT SCALE

LET	WAS	DATE	BY	LET	WAS	DATE	BY	MATERIAL	DRAWN	CHECKED	APPRVD	SCALE	DATE DRAWN
								—H—	DPS	RJF		1:1	10-5-81
								FINISH	 Cole Hersee Co. <small>30 OLD COLONY AVENUE SOUTH BOSTON MA U.S.A. 02127</small>				DATE BLUEPRINT
								—H—					
								TOLERANCES	D.P.D.T. TOGGLE SW.				54107
								DECIMAL ± .010 METRIC ± .25					
					ISSUED	11-2-81	RJF						

MM	IN
.96	.038
1.86	.072
9.52	.375
19.05	.750
33.02	1.300
34.92	1.375


54107-01



NOTES:
 1. SILVER CONTACTS
 2. RATING: 25AMPS @ 12V. DC.
 LAMP LOAD

METRIC

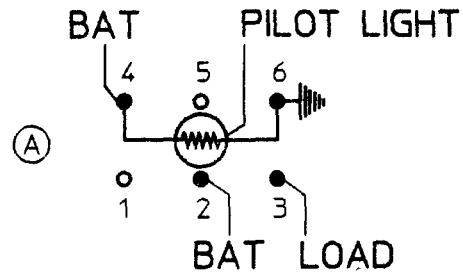
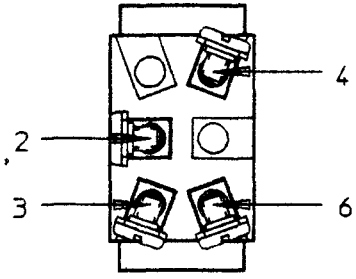
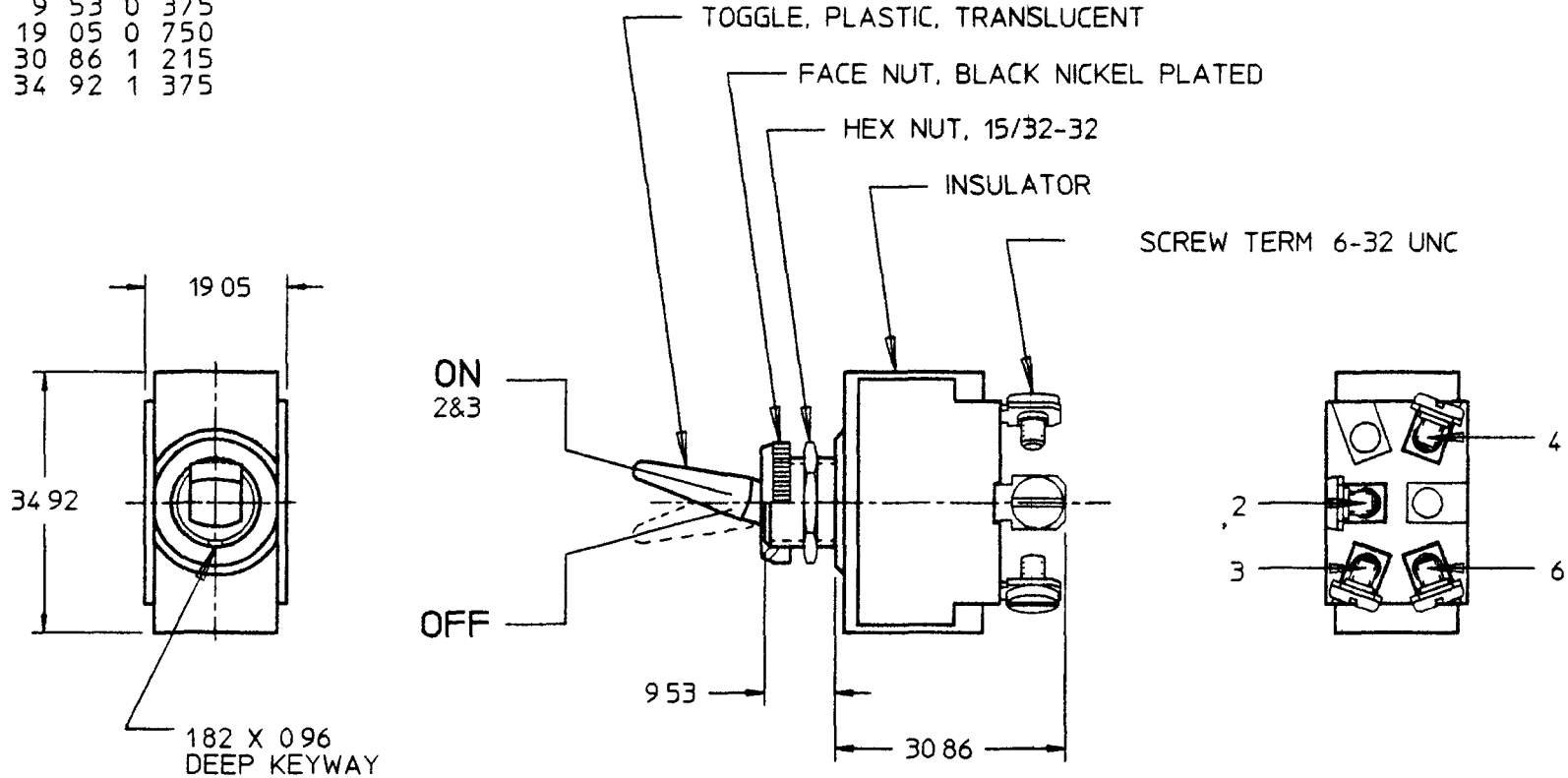
DO NOT SCALE

LET	WAS	DATE	BY	LET	WAS	DATE	BY	MATERIAL	DRAWN	CHECKED	APPRV D	SCALE	DATE DRAWN
								—H—	DPS	RJR		1:1	10-2-81
								FINISH	 Cole Hersee Co. <small>20 OLD COLONY AVENUE SOUTH BOSTON MA U.S.A. 02127</small>				DATE BLUEPRINT
								TOLERANCES					
								DECIMAL ± .010	D.P.D.T. TOGGLE SW				54107-01
							METRIC ± .25						
					Issued	11-2-81	RJR						

CH-188(4-78)

54109

MM	IN
0 96 0	0 032
1 82 0	0 072
9 53 0	0 375
19 05 0	0 750
30 86 1	1 215
34 92 1	1 375



- NOTES
- 1 SILVER CONTACTS
 - 2 25 AMPS @ 12V DC LAMP LOAD
 - 3 INDEPENDENT PILOT LIGHT (12V BULB) @ 4 & 6 (SEE CHART FOR COLOR)
 - 4 NEOPRENE SEAL IN BUSHING
 - 5 ALL DIMENSIONS REFERENCE

ON	RED
OFF	WHITE
TOGGLE POS	PILOT LT 'ON' TOGGLE COLOR

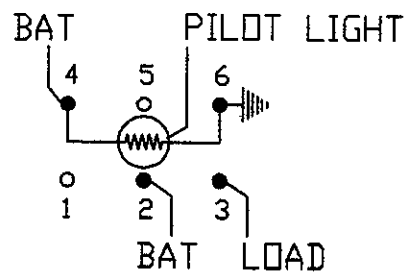
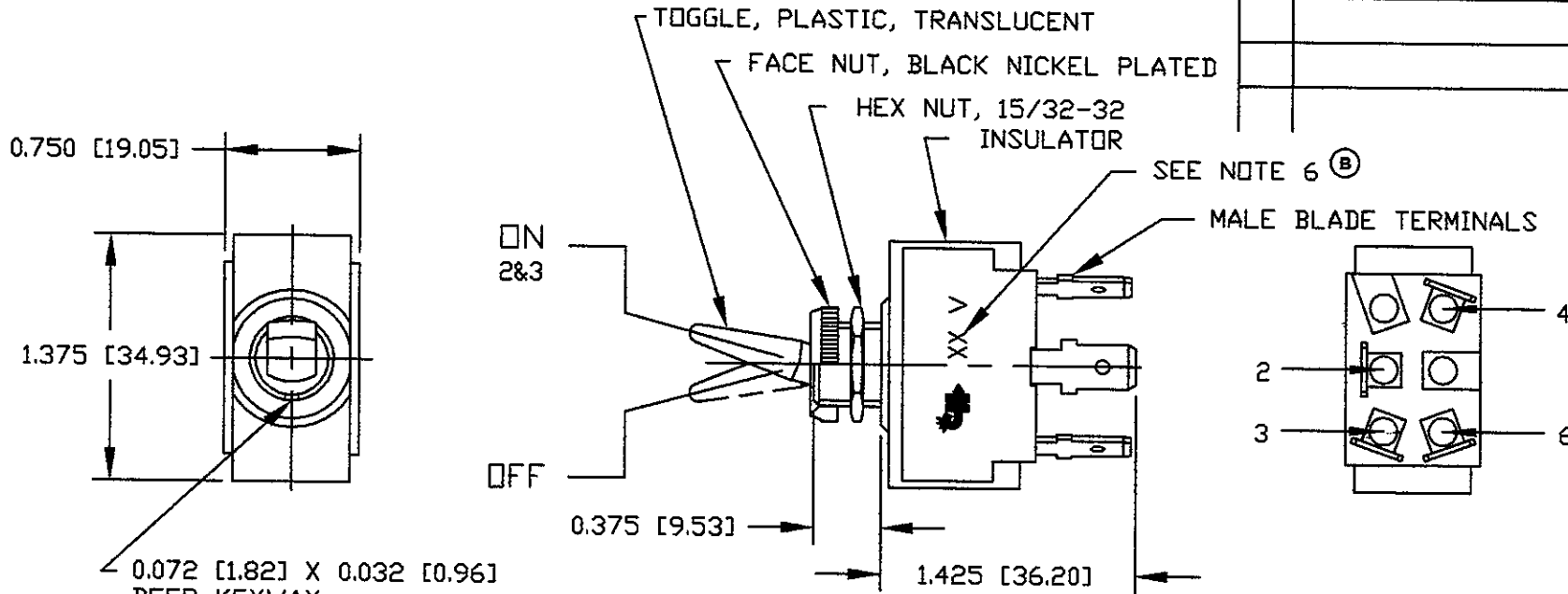
METRIC

DO NOT SCALE

LET	WAS	DATE	BY	LET	WAS	DATE	BY	MATERIAL	DRAWN	CHK	APVD	SCALE	DATE DRAWN
									DPS	MF		11	9/30/81
								FINISH	Cole Hersee Co. 20 OLD COLONY AVENUE BOSTON MA USA 02127				DATE BLUEPRINTED
				A	PUT ON CAD ECN 26129	3/5/96	EB	TOLERANCES DECIMAL ±	SW, TOGGLE SPST				54109
					ISSUED	11/2/81	RJF	ANGLE ±	Confidential Property of Cole Hersee				

Revision Control Record

Rev.	Description of Change	ECN No.	Date
B	ADD LOGO & VOLTAGE NOTE	07303	08/06/07



- NOTES:
1. SILVER CONTACTS
 2. 25 AMPS @ 12V DC LAMP LOAD
 3. INDEPENDENT PILOT LIGHT (12V BULB) @ 4 & 6 (SEE CHART FOR COLOR)
 4. NEOPRENE SEAL IN BUSHING
 5. ALL DIMENSIONS REFERENCE
 6. IMPRINT CH LOGO & 12V

ON	RED
OFF	WHITE
TOGGLE POS.	PILOT LT "ON" TOGGLE COLOR

Tolerances. Unless otherwise specifically noted, the following are default tolerances:
 * 2-place Decimal Dimensions ± 0.02 "
 * 3-place Decimal Dimensions ± 0.005 "
 * Angular Dimensions ± 1.0 Deg.
 * Metric: Refer to equivalent English Dimension Tolerance
 >>> NOTE: All tolerances are Non-Cumulative. <<<

Dimensional Units. All dimensions are expressed in inches except those shown in brackets (xxx) are expressed in millimeters

"REF." or an Asterisk (*) = Non-Toleranced Reference Dimension, shown for clarification purposes only.

PROPRIETARY INFORMATION. This Engineering Drawing, and the information contained herein, is proprietary to Cole Hersee Company and may not be disclosed, re-produced, or in any other way transferred or communicated to any other party without the express written consent of an authorized representative of Cole Hersee Company.

DESIGN CONTROL. It is the responsibility of the individual using/ referencing this drawing to assure that the noted design revision level agrees with the revision level of the Controlled Document (Master Drawing). This is a NON-CONTROLLED DOCUMENT unless otherwise specifically noted.

DO NOT SCALE - Dimensional variation may occur during printing/ reproduction.

Special Characteristics:

- CC Critical Characteristic, relating to Safety and/or Regulatory Compliance
- X Significant Characteristic relating to Process Control (SPC)
- KC Key Characteristic relating to Form - Fit - Function as defined by Cole Hersee Company and/or the Customer

(Note that the identification of any Characteristics as being "Special" does not alter the requirement that ALL specified dimensions & tolerances must be met.)

Cole Hersee Co.
 20 Old Colony Ave., South Boston, MA, 02127
 Phone: 617-268-2100 Web: www.colehersee.com

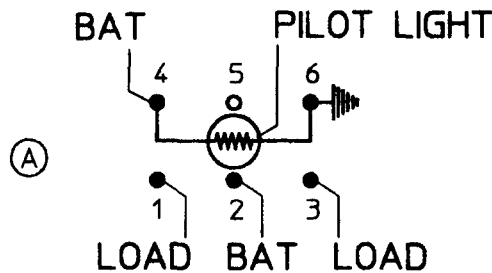
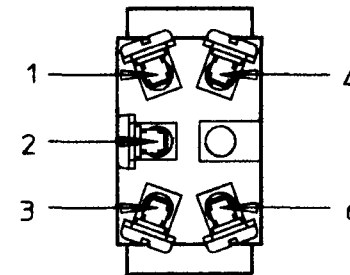
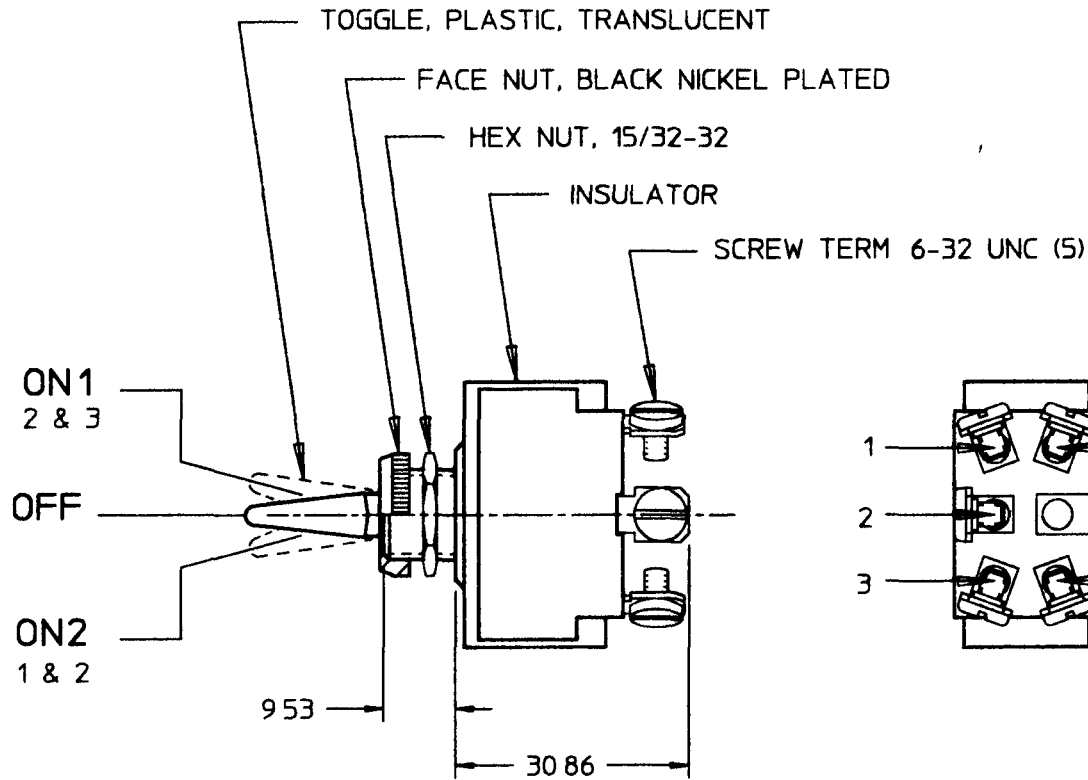
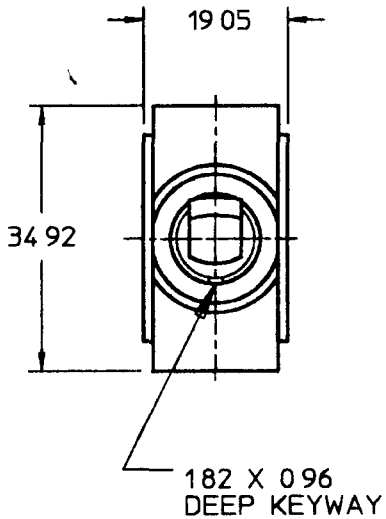
Description:
SW, TOGGLE, SPST

Drawing / Part No.: 54109-01

Current Rev.: B

54110

MM	IN
0 96 0	0 32
1 82 0	0 72
9 53 0	3 75
19 05 0	7 50
30 86 1	2 15
34 92 1	3 75



- NOTES
- 1 SILVER CONTACTS
 - 2 25 AMPS @ 12V DC LAMP LOAD
 - 3 INDEPENDENT PILOT LIGHT (12V BULB) @ 4 & 6 (SEE CHART FOR COLOR)
 - 4 NEOPRENE SEAL IN BUSHING
 - 5 ALL DIMENSIONS REFERENCE

ON1	RED
OFF	WHITE
ON2	WHITE
TOGGLE POS.	PILOT LT 'ON' TOGGLE COLOR

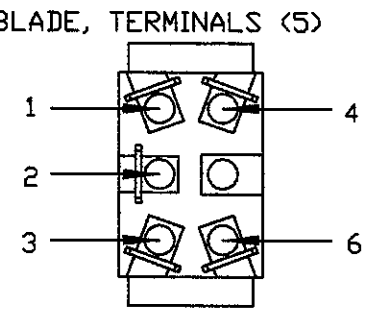
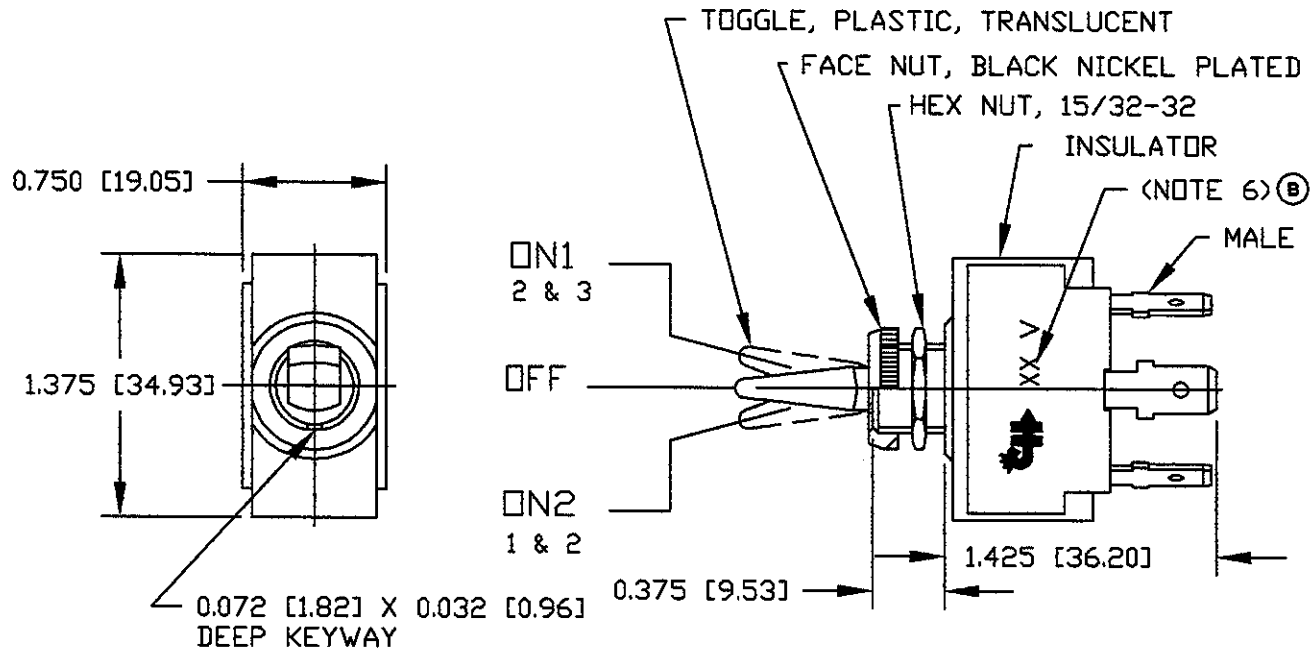
METRIC

DO NOT SCALE

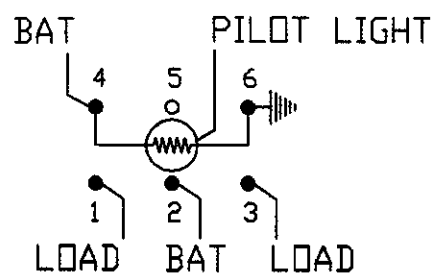
LET	WAS	DATE	BY	LET	WAS	DATE	BY	MATERIAL	DRAWN	CHK	APVD	SCALE	DATE DRAWN
									DPS	RF		11	9/29/81
								FINISH	Cole Hersee Co. 20 OLD COLONY AVENUE BOSTON, MA, U.S.A. 02127				DATE BLUEPRINTED
				A	PUT ON CAD ECN 26129	3/5/96	EB	TOLERANCES DECIMAL ±0.10 ANGLE ±	SW, TOGGLE SPST				54110
					ISSUED	11/2/81	RJF						

Revision Control Record

Rev.	Description of Change	ECN No.	Date
B	ADD LOGO & VOLT IMPRINT	07303	08/20/07



ON1	RED
OFF	WHITE
ON2	WHITE
TOGGLE POS.	PILOT LT "ON" TOGGLE COLOR



- NOTES:
1. SILVER CONTACTS
 2. 25 AMPS @ 12V DC LAMP LOAD
 3. INDEPENDENT PILOT LIGHT (12V BULB) @ 4 & 6 (SEE CHART FOR COLOR)
 4. NEOPRENE SEAL IN BUSHING
 5. ALL DIMENSIONS REFERENCE
 6. IMPRINT CH LOGO & 12V

Tolerances. Unless otherwise specifically noted, the following are default tolerances:
 * 2-place Decimal Dimensions $\pm .02^{\circ}$
 * 3-place Decimal Dimensions $\pm .005^{\circ}$
 * Angular Dimensions ± 1.0 Deg.
 * Metric: Refer to equivalent English Dimension Tolerance
 >>> NOTE: All tolerances are Non-Cumulative. <<<

Dimensional Units. All dimensions are expressed in inches except those shown in brackets (mm) are expressed in millimeters

"REF." or an Asterisk (*) = Non-Toleranced Reference Dimension, shown for clarification purposes only.

PROPRIETARY INFORMATION. This Engineering Drawing, and the information contained herein, is proprietary to Cole Hersee Company and may not be disclosed, re-produced, or in any other way transferred or communicated to any other party without the express written consent of an authorized representative of Cole Hersee Company.

DESIGN CONTROL. It is the responsibility of the individual using / referencing this drawing to assure that the noted design revision level agrees with the revision level of the Controlled Document (Master Drawing). This is a NON-CONTROLLED DOCUMENT unless otherwise specifically noted.

DO NOT SCALE - Dimensional variation may occur during printing / reproduction.

Special Characteristics:

- CC Critical Characteristic, relating to Safety and/or Regulatory Compliance
- X Significant Characteristic relating to Process Control (SPC)
- KC Key Characteristic relating to Form - Fit - Function as defined by Cole Hersee Company and/or the Customer

(Note that the identification of any Characteristics as being "Special" does not alter the requirement that ALL specified dimensions & tolerances must be met.)

Cole Hersee Co.
 20 Old Colony Ave., South Boston, MA, 02127
 Phn 617-268-2100 Web: www.colehersee.com

Description:
SW, TOGGLE, SPST

Drawing / Part No.: 54110-01

Current Rev.: B

X-ON Electronics

Largest Supplier of Electrical and Electronic Components

Click to view similar products for [Toggle Switches](#) category:

Click to view products by [Littelfuse](#) manufacturer:

Other Similar products are found below :

[8928K478](#) [020017-13](#) [60012L](#) [6006L](#) [CS115W](#) [CS120W](#) [637H/25](#) [6663](#) [7101SPDV30BE](#) [7103SDV30BE](#) [7105D](#) [7108P3YAV2BE](#)
[71YY50282](#) [7300K36](#) [7301K38](#) [7306K36](#) [7310K36](#) [7506K4](#) [7592K6](#) [7660K12](#) [7691K14](#) [7700K1](#) [8391K108](#) [8396K108](#) [8824K14](#)
[8828K13](#) [8835K3](#) [8858K44](#) [PS83-121G](#) [1-1825192-0](#) [A201SCWZB04](#) [A207SYCB04](#) [A208J61ZQ0004](#) [A221T1TCQ](#) [A232M1YCQ](#)
[A323S1CWZQ](#) [A423S1CWZG-M8](#) [1201W](#) [12156AX408](#) [12147AGKX679](#) [12246X778](#) [12TW49-3D](#) [130312](#) [13037L](#) [13001X](#)
[AE101MD1W4B04](#) [AE208SD1W4B04](#) [MS24659-22D](#) [MS27407-5](#) [1520230-9](#)