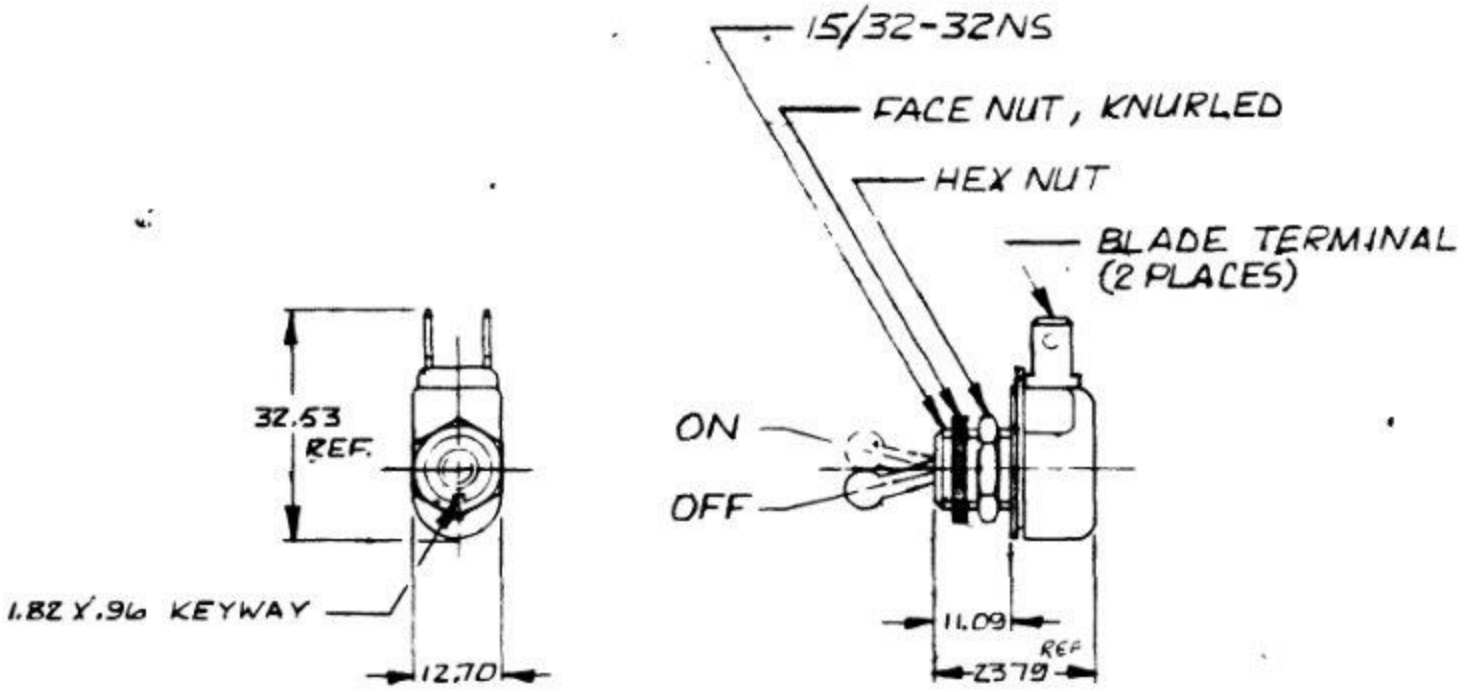


MAR IN
 25 .870
 26 .891
 27 .912
 28 .933
 29 .954
 30 .975
 31 .996
 32 1.017

55012

REF
 MS85



METRIC

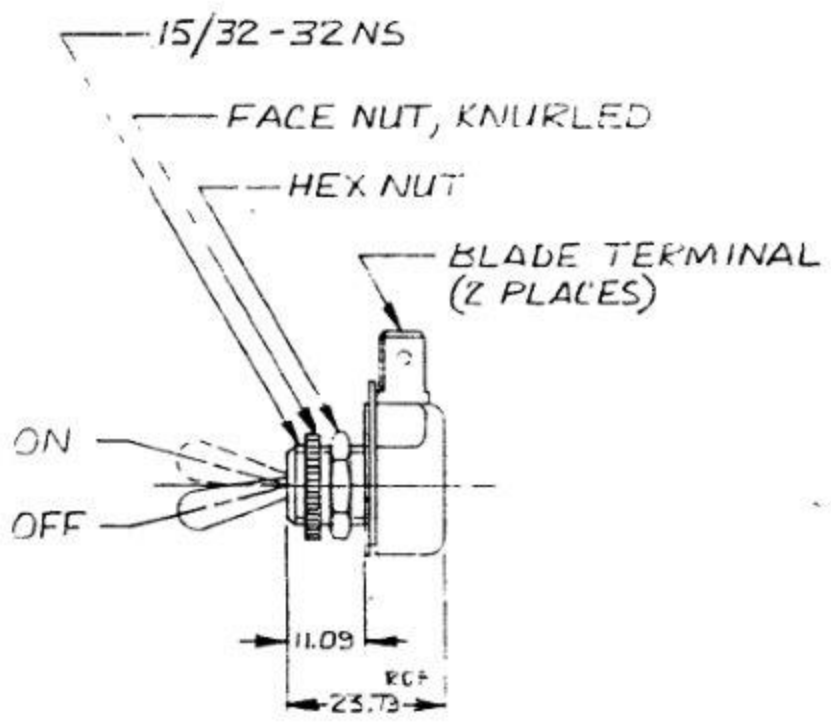
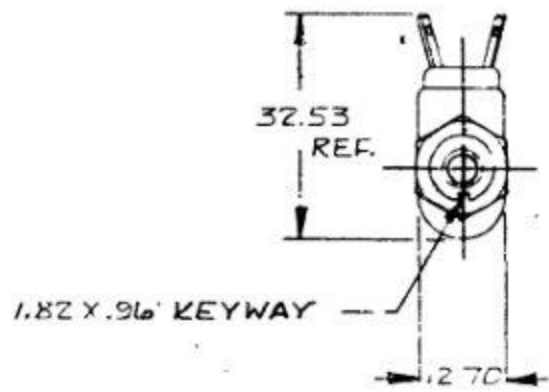
DO NOT SCALE

LET	WAS	DATE	BY	LET	WAS	DATE	BY	MATERIAL	DRAWN	CHECKED	APPROVD	SCALE	DATE DRAWN
								#	PLB			4:1	8-28-56
								FINISH					DATE BLUEPRINT
								TOLERANCES	 Cole Hersee Co. 10000 W. 100th St. - Minneapolis, Minn. 55438				
								DECIMAL ± METRIC ±					TOGGLE SWITCH

MM	IN
25	.010
11.09	.437
12.70	.500
23.77	.937
32.53	1.281
34	1.339
42	1.654

55013

REF
MSB



METRIC

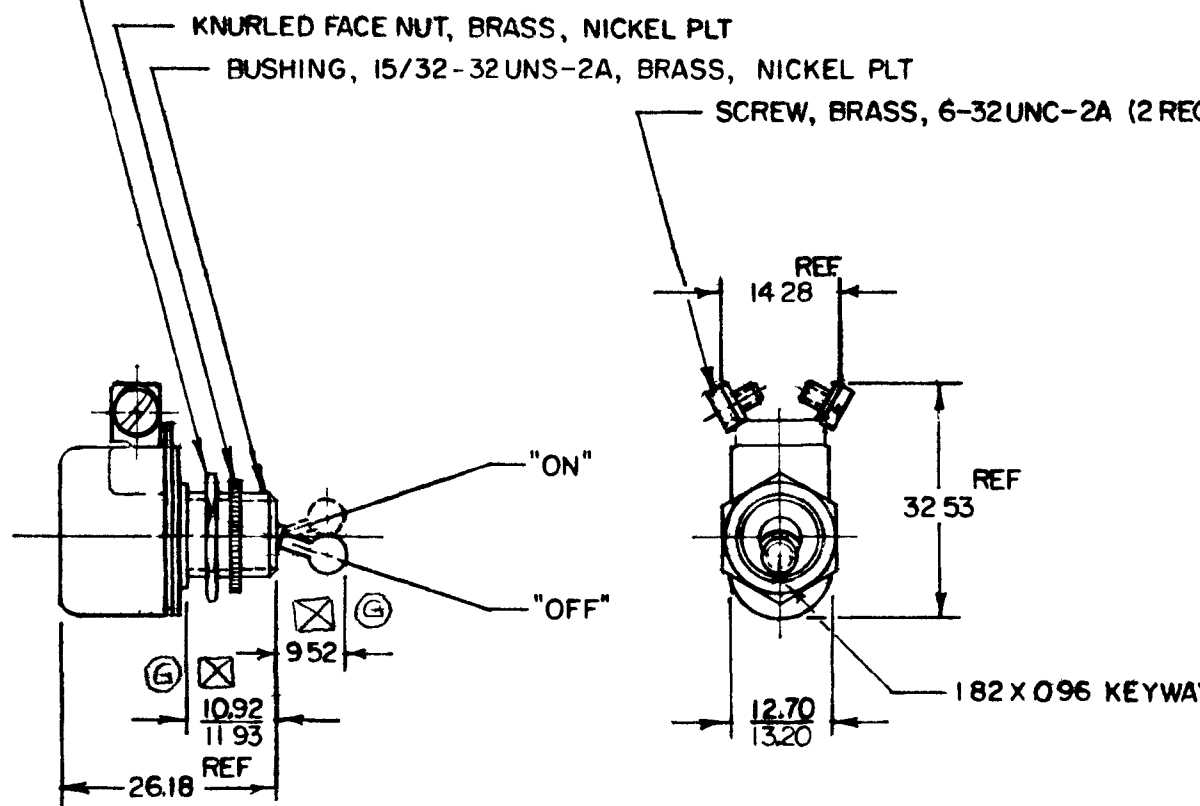
DO NOT SCALE

LET	WAS	DATE	BY	LET	WAS	DATE	BY	MATERIAL	DRAWN	CHECKED	APPROVD	SCALE	DATE DRAWN
								#	PJB			1:1	8-28-56
								FINISH	 Cole Hersee Co. <small>SOLELY ENGINEERING & MANUFACTURING CO.</small>				DATE BLUEPRINT
								TOLERANCES					TOGGLE SWITCH
				E	REDRAWN	10-19-51		DECIMAL ±					
								METRIC ± .25					

CH-188(4-78)

15.20
 14.28
 26.18
 32.53
 0.26
 1.82
 1.031
 1.291
 .038
 .072

REC
 M493



METRIC

10 AMPS @ 12V DC

LET	WAS	DATE	BY	LET	WAS	DATE	BY	MATERIAL	DRAWN	CHECKED	APPRV'D	SCALE	DO
								— # —	KR	12 5 79		1 1	
								FINISH					
								— # —					
				G	ADD SYMBOL	2/25/79	AF	TOLERANCES	TOGGLE SWITCH				
				F	REV & REDRAWN	12-3-79	RR	DECIMAL ± .010 METRIC ± .25					

CH 188(4 78)

1.82	.072
4.74	.187
11.09	.437
12.70	.500
15.87	.625
16.66	.656
26.18	1.031
32.53	1.281

6-32UNC-2A BRASS SCREW, 4.74 LG. (2 REQ'D.)

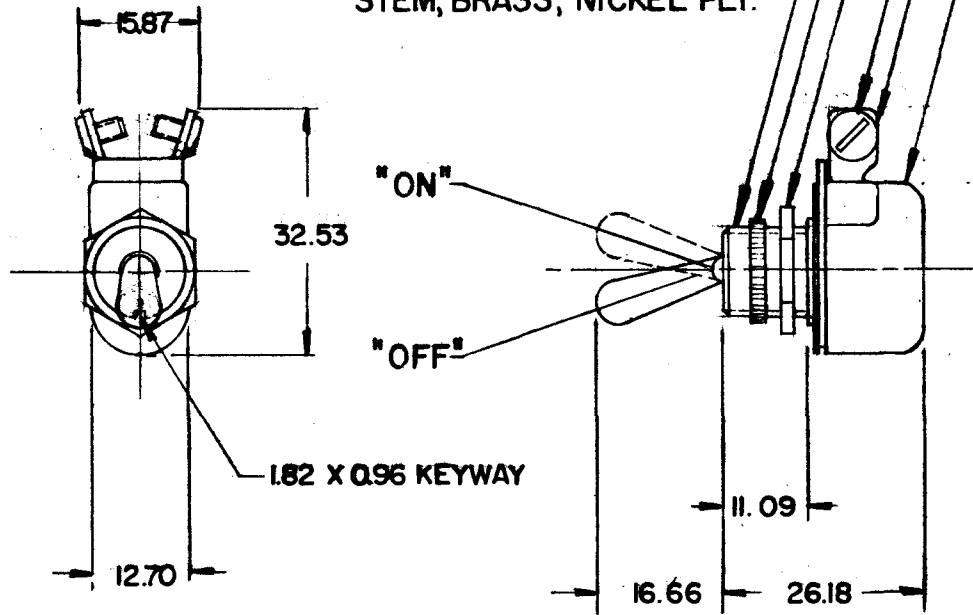
HEX NUT, STEEL, CADMIUM PLATE

KNURLED FACE NUT, BRASS, NICKEL PLT.

15/32 - 32 UNS-2A MTG
STEM, BRASS, NICKEL PLT.

INSULATOR, BAKELIT

REF
M-484



COLE-HERSEE CO.

REF MARINE M-484

METRIC

LET	WAS	DATE	BY	LET	WAS	DATE	BY	MATERIAL	DRAWN	CHECKED	APPR'D.	SCALE	DATE
								---	RM	4-13-78		FULL	3 -
								---	COLE-HERSEE COMPANY				DATE
								BOSTON, MASS. 02127, U.S.A.					
				F	ECN 2460	10-2-70	BL	TOLERANCES	TOGGLE SWITCH				55
				E	REDRAWN	4-3-71	JV	FRACTIONAL ±					
								DECIMAL ±0.25					

SPAULDING CO., INC. 21-10961

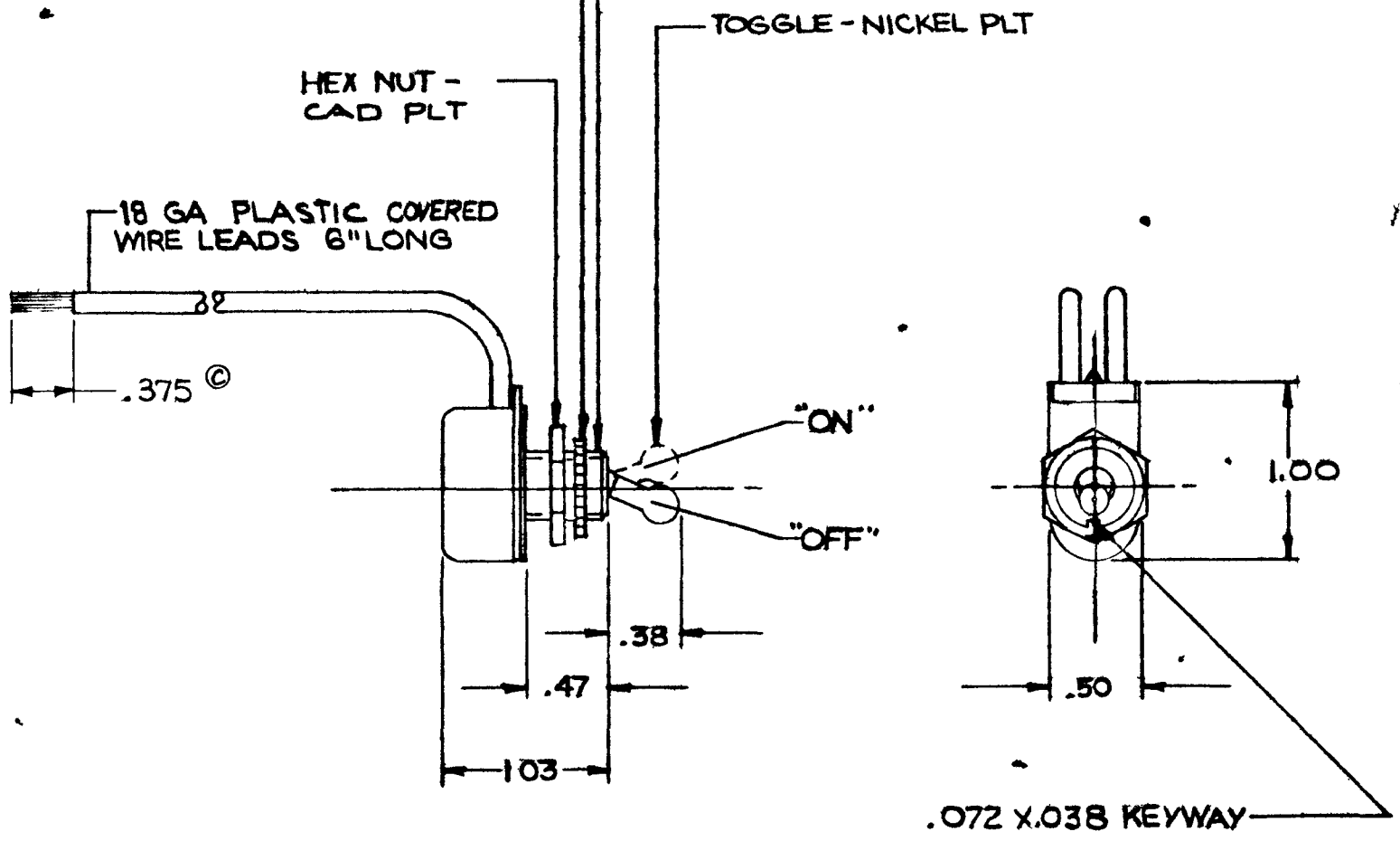
Confidential Proprietary

MS93

KNORLED FACE NUT
NICKEL PLT

MITG STEEL 1/32-32N3-2A NICKEL PLT

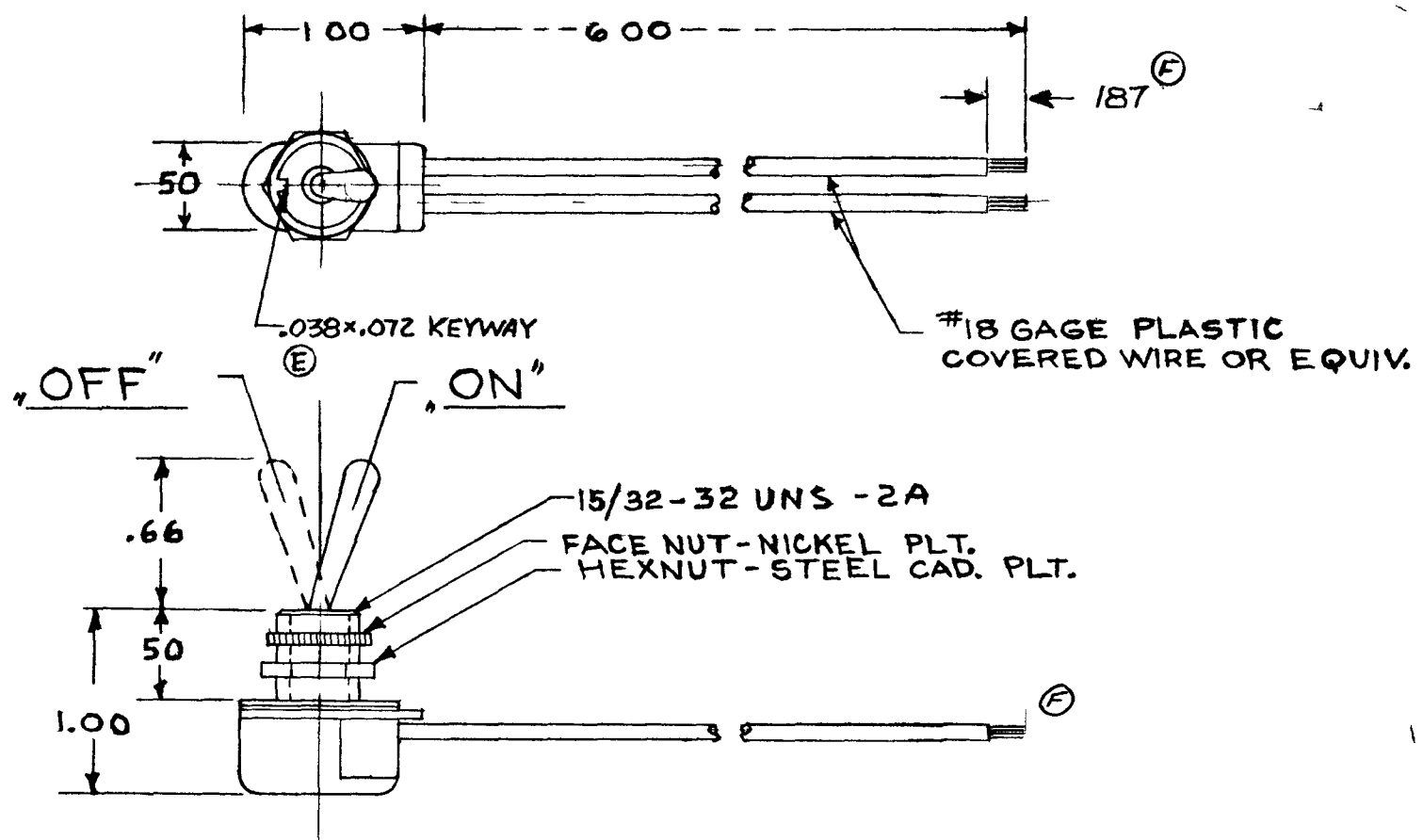
COLE-HERSEE CO.



DO NOT

LET	WAS	DATE	BY	LET	WAS	DATE	BY	MATERIAL	DRAWN	CHECKED	APPRV D	SCALE	DATE
									EA	TY 41277		1/8"	11 29
								FINISH	COLE-HERSEE COMPANY BOSTON MASS 02127, U.S.A				DATE
				C	ADDED DIM	5 14 87	4/7	TOLERANCES	TOGGLE SWITCH				556
				B	RE DRAWN NO CHANGE	4 12 77	1/7	FRACTIONAL ± DECIMAL ±.015					

COLE-HERSEE CO.

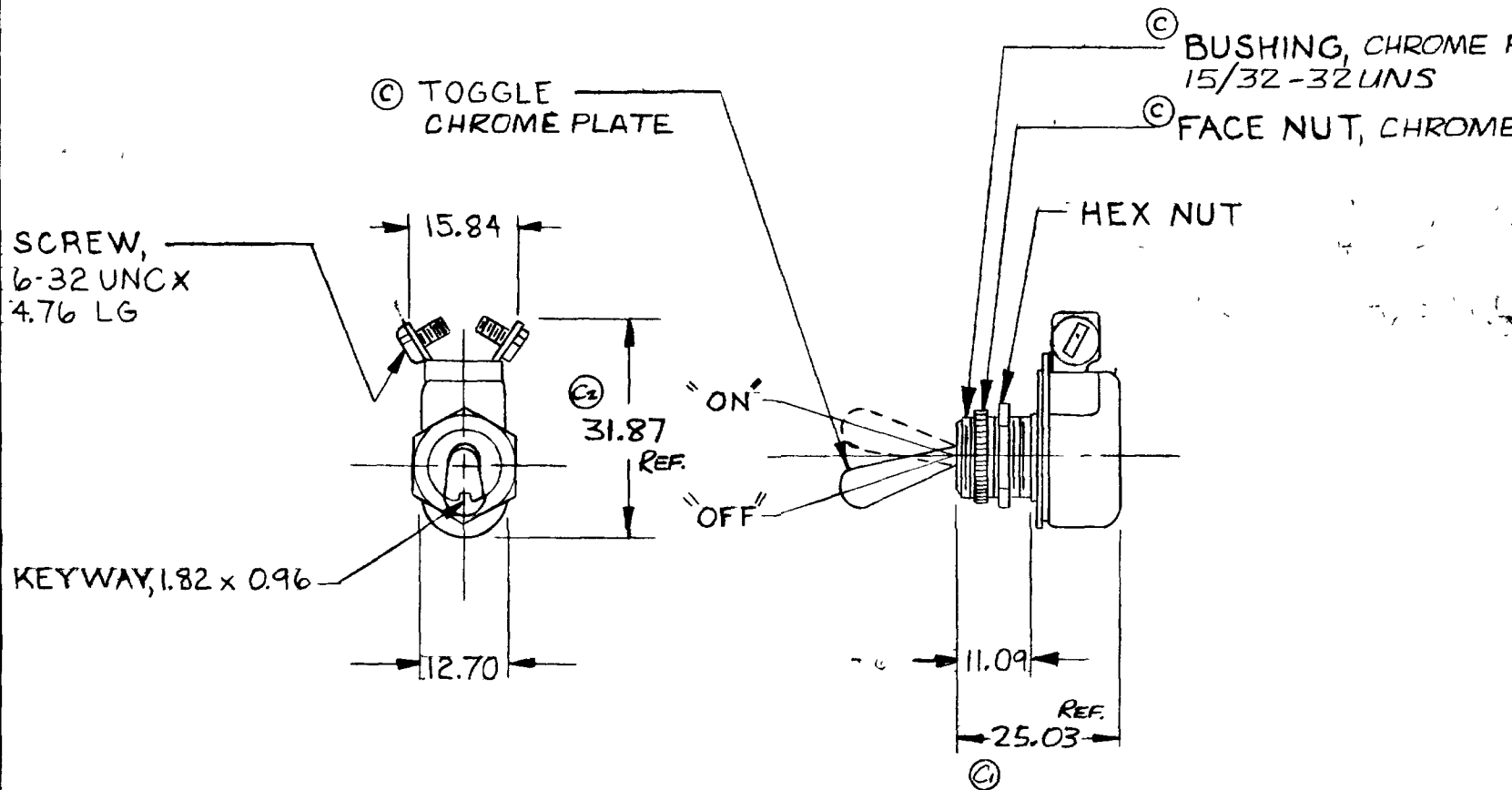


DO NOT SCALE


LE	WAS	DATE	BY	LET	WAS	DATE	BY	MATER L	DRAWN	CHECKED	APPR V D	SCALE	USED ON				
								#	E A R B			FULL					
								N S	COLE-HERSEE COMPANY BOSTON MASS 02127 USA								
				F	DIM CHANGE ECN 23704	3-29-88	JK		NAME TOGGLE SWITCH								
				E	DIM ADDED 17537	1-7-72	CT										
				D	REDRAWN REVISED	6-5-70	JB										

12.70 .500
 15.84 .625
 25.03 1.025
 31.87 1.255
 REF.

5558



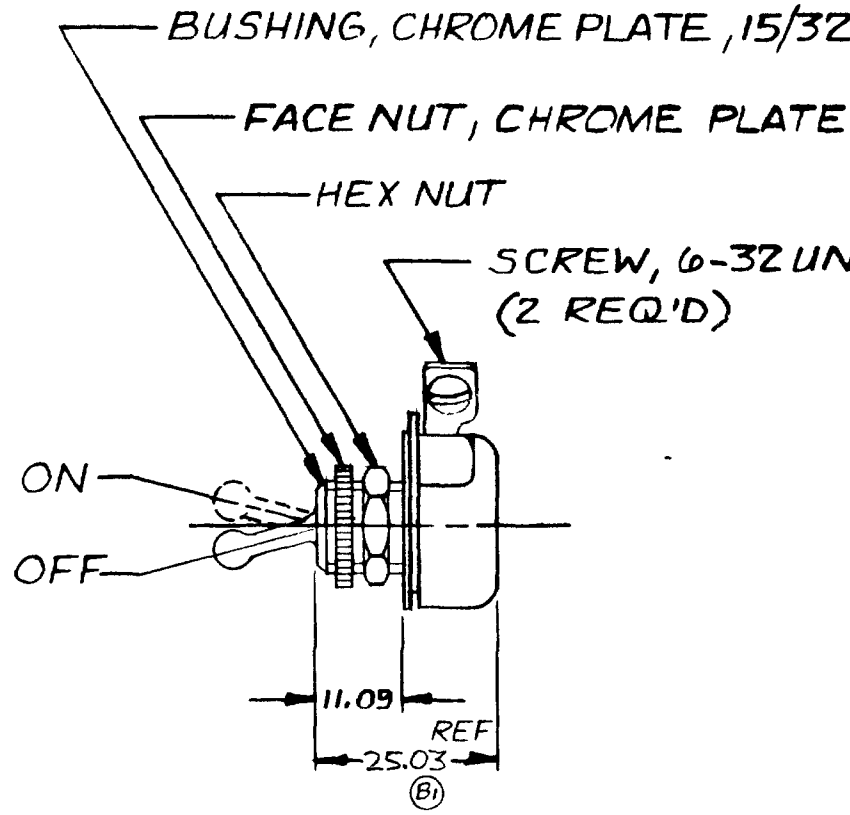
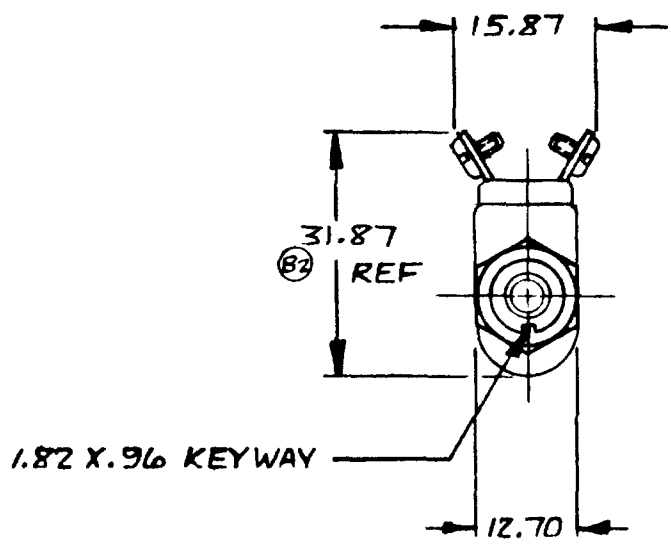
METRIC

LET	WAS	DATE	BY	LET	WAS	DATE	BY	MATERIAL	DRAWN	CHECKED	APPRV D	SCALE	
								XXXX	SN	12-11-79		1:1	3
								XXXX	 Cole Hersee Co. <small>20 OLD COLONY AVENUE SOUTH BOSTON MA U.S.A. 02127</small>				
				C	NICKEL PLATE / 21749	8-9-82	B						
				C1	.937 / C2 / 1.281		B						
				B	REDRAWN	12/1/79	VA	TOLERANCES DECIMAL ± METRIC ±.010	TOGGLE SWITCH				M


CH-188(4-78)

12.10 1.00
 25.03 1.025
 31.87 1.255
 +.14 .10
 15.87 .625

REF
 5507

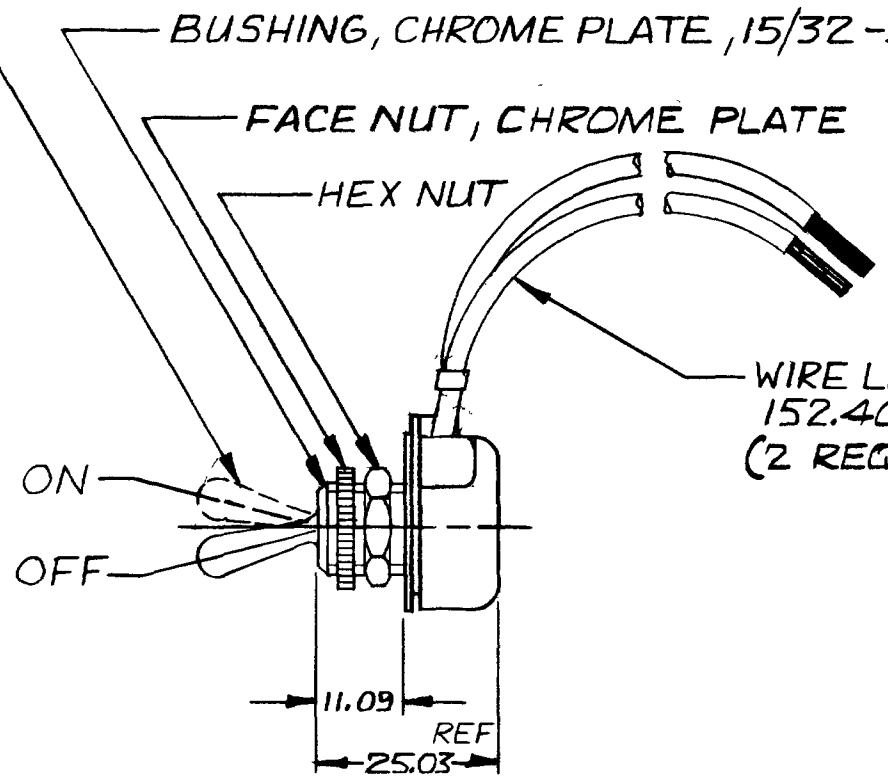
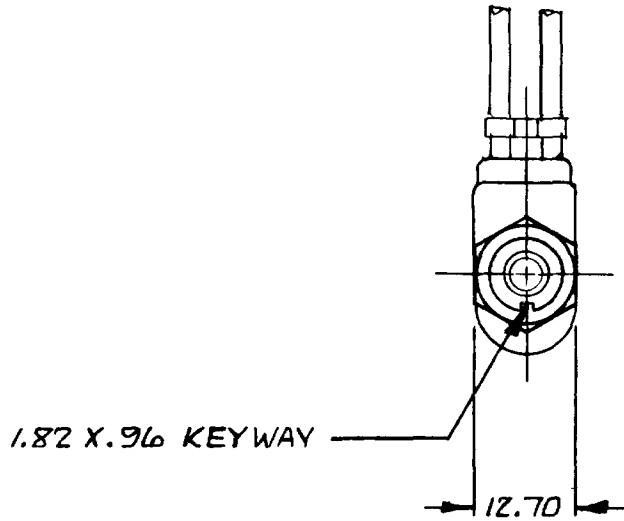


METRIC

LET	WAS	DATE	BY	LET	WAS	DATE	BY	MATERIAL	DRAWN	CHECKED	APPR'D	SCALE	
								H	R/S	DPS 8-19-82		1:1	
								H	 Cole Hersee Co. <small>70 OLD COV. L. FENNE SOUTH BOSTON MA USA 02127</small>				
				B	NICKEL PLATED	21749	8-9-82		TOLERANCES				
				B1	RE-DRAWN 237	B2 1.281	8-9-82		DECIMAL ±				
									METRIC ±				
TOGGLE SWITCH													

CH-188(4-78)

12.70 ±.300
 25.03 ±.025
 152.40 ±.000



METRIC

DO I

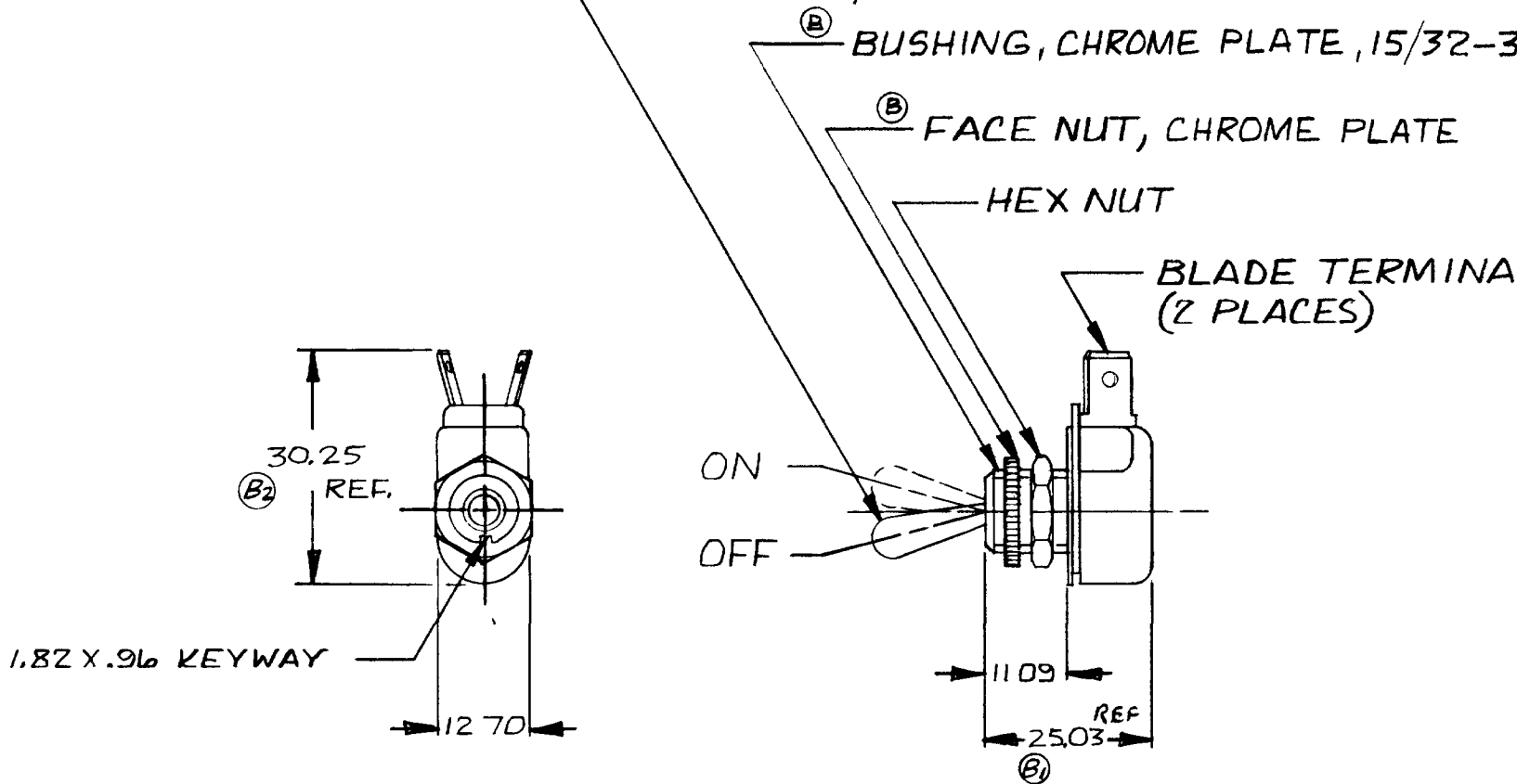
LET	WAS	DATE	BY	LET	WAS	DATE	BY	MATERIAL	DRAWN	CHECKED	APPRV D	SCALE		DO I
								— H —	EA	DPS 8-19-82		1:1		11-
								FINISH	 Cole Hersee Co. <small>20 OLD COLONY AVENUE SOUTH BOSTON MA. U.S.A. 02127</small>					DATE
								— H —						
								TOLERANCES	TOGGLE SWITCH					M
								DECIMAL ±						
					B	REV REDRAWN	21749	8-9-82	(R)					

CH-188(4-78)


Confidential Proprietary

30.25 1.191
 .96 .038
 1.82 .072

REF
 55013



METRIC

LET	WAS	DATE	BY	LET	WAS	DATE	BY	MATERIAL	DRAWN	CHECKED	APPRV D	SCALE	DO I
								#	EA	DPS 8 19 82		1:1	D 11-2
				B	NUT / 21749 PLATE	8-9-82	(C)	FINISH	 COLE HERSEE CO. <small>30 OLD COLONY AVENUE SOUTH BOSTON MA U.S.A. 02127</small>				DATE
				B1	.937	B2	1.281	(E)					TOLERANCES
				A	REDRAWN	10 19 81	(E)	DECIMAL ±	TOGGLE SWITCH				M
								METRIC ± 75					

CH-188(4-78)

X-ON Electronics

Largest Supplier of Electrical and Electronic Components

Click to view similar products for [Toggle Switches](#) category:

Click to view products by [Littelfuse](#) manufacturer:

Other Similar products are found below :

[8928K478](#) [020017-13](#) [60012L](#) [6006L](#) [CS115W](#) [CS120W](#) [637H/25](#) [6663](#) [7101SPDV30BE](#) [7103SDV30BE](#) [7105D](#) [7108P3YAV2BE](#)
[71YY50282](#) [7300K36](#) [7301K38](#) [7306K36](#) [7310K36](#) [7506K4](#) [7592K6](#) [7660K12](#) [7691K14](#) [7700K1](#) [8391K108](#) [8396K108](#) [8824K14](#)
[8828K13](#) [8835K3](#) [8858K44](#) [PS83-121G](#) [1-1825192-0](#) [A201SCWZB04](#) [A207SYCB04](#) [A208J61ZQ0004](#) [A221T1TCQ](#) [A232M1YCQ](#)
[A323S1CWZQ](#) [A423S1CWZG-M8](#) [1201W](#) [12156AX408](#) [12147AGKX679](#) [12246X778](#) [12TW49-3D](#) [130312](#) [13037L](#) [13001X](#)
[AE101MD1W4B04](#) [AE208SD1W4B04](#) [MS24659-22D](#) [MS27407-5](#) [1520230-9](#)