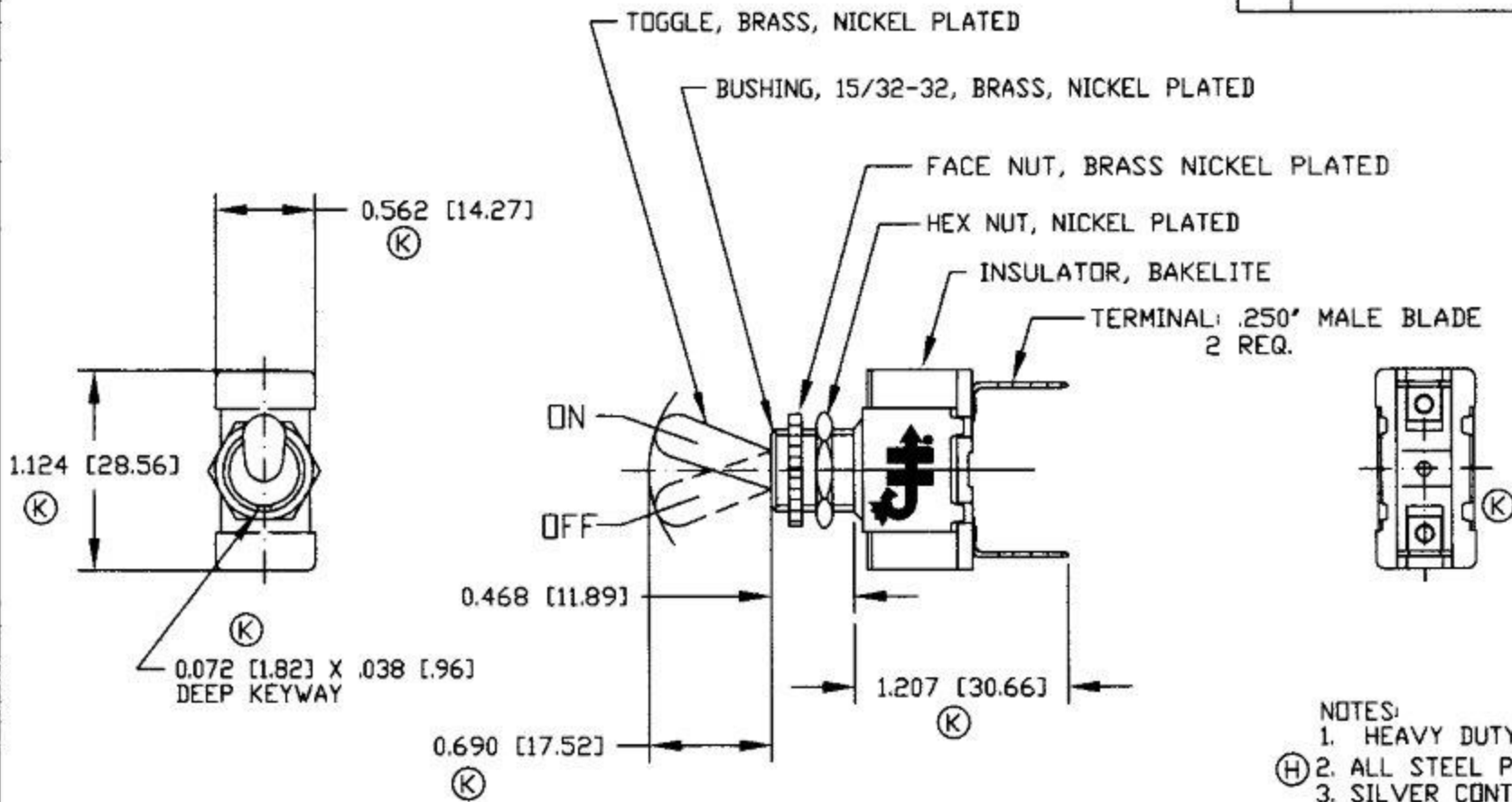


Revision Control Record

Rev.	Description of Change	ECN No.	Date
K	PUT ON CAD	05124	01/20/05



- NOTES:
1. HEAVY DUTY CONTACTS
 2. ALL STEEL PARTS ZINC PLATED (H)
 3. SILVER CONTACT SURFACES
 4. 25 A @ 12V / 15 A @ 24V

Tolerances: Unless otherwise specifically noted, the following are default tolerances:
 * 2-place Decimal Dimensions $\pm .02"$
 * 3-place Decimal Dimensions $\pm .005"$
 * Angular Dimensions ± 1.0 Deg.
 * Metric: Refer to equivalent English Dimension Tolerance
 >>> NOTE: All tolerances are Non-Cumulative. <<<

Dimensional Units: All dimensions are expressed in inches except those shown in brackets (xxx) are expressed in millimeters

REF. or an Asterisk (*) = Non-Toleranced Reference Dimension, shown for clarification purposes only.

PROPRIETARY INFORMATION: This Engineering Drawing, and the information contained herein, is proprietary to Cole Hersee Company and may not be disclosed, re-produced, or in any other way transferred or communicated to any other party without the express written consent of an authorized representative of Cole Hersee Company.

DESIGN CONTROL: It is the responsibility of the individual using / referencing this drawing to assure that the noted design revision level agrees with the revision level of the Controlled Document (Master Drawing). This is a NON-CONTROLLED DOCUMENT unless otherwise specifically noted.

DO NOT SCALE - Dimensional variation may occur during printing / reproductions.

Special Characteristics:

- (SC) Critical Characteristics, relating to Safety and/or Regulatory Compliance
- (X) Significant Characteristics relating to Process Control (SPC)
- (KC) Key Characteristics relating to Form - Fit - Function as defined by Cole Hersee Company and/or the Customer

(Note that the identification of any Characteristics as being "Special" does not alter the requirement that ALL specified dimensions & tolerances must be met.)

Cole Hersee Co.
 20 Old Colony Ave., South Boston, MA, 02127
 Phn: 617-268-2100 Web: www.colehersee.com

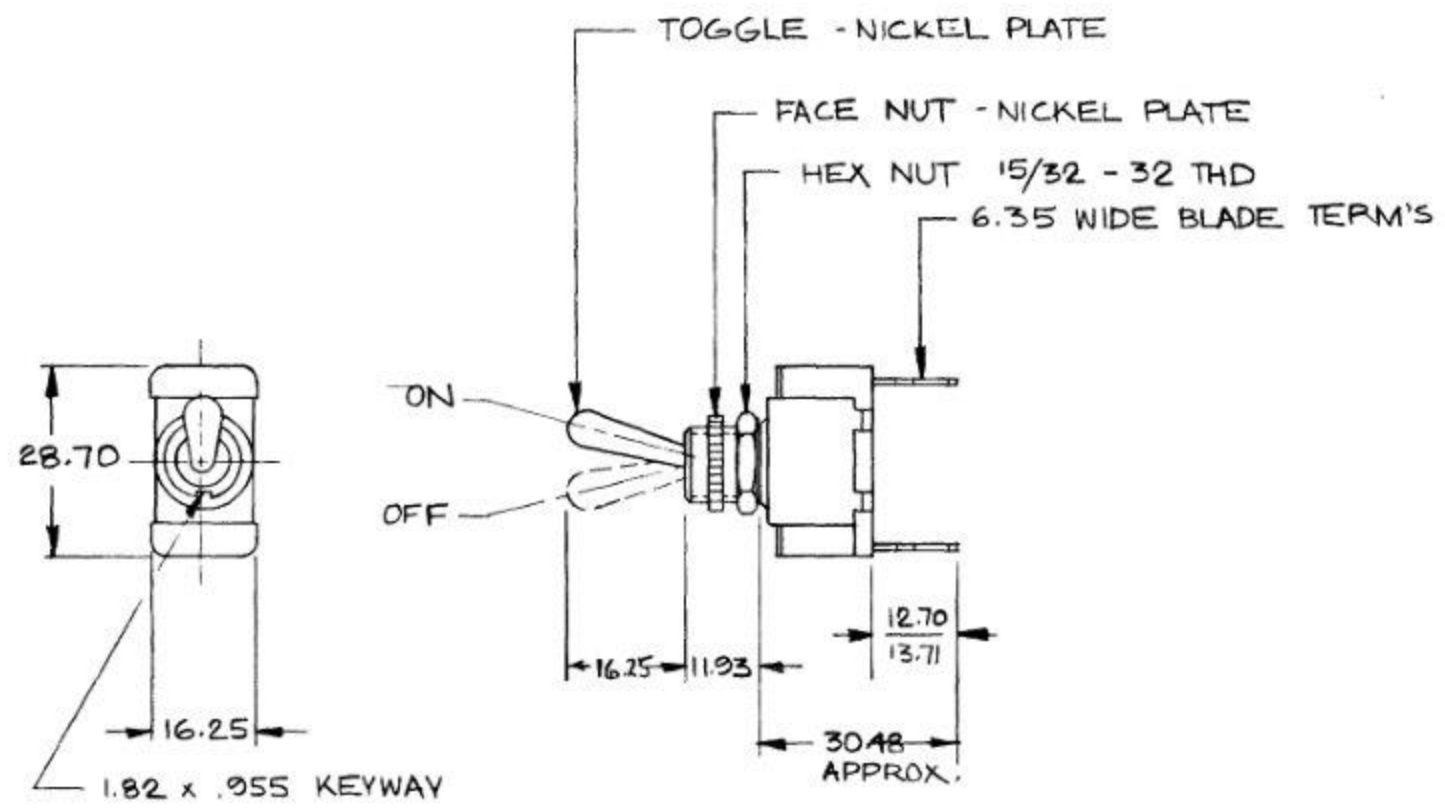
Description: SWITCH, TOGGLE . SPST ON-OFF

Drawing / Part No.: 55014

Current Rev.: K

MN	IN
.955	.038
1.82	.072
6.35	.25
11.93	.47
12.70	.50
13.71	.54
16.25	.64
28.70	1.13
30.48	1.20

55014-05



METRIC

25AMP-12V DC

NOTES:

- 1 NEOPRENE O-RING SEAL IN BUSHING
- 2 SILVER CONTACT SURFACES

DO NOT SCALE

LET	WAS	DATE	BY	LET	WAS	DATE	BY	MATERIAL	DRAWN	CHECKED	APPR'D	SCALE	DATE DRAWN
								—	RY	SW		1:1	1-21-75
								FINISH	 Cole Hersee Co. <small>WORLDWIDE AERIAL PHOTOGRAPHY & VIDEO</small>				DATE BLUEPRINT
								TOLERANCES					SWITCH, TOGGLE
								DECIMAL ±					
								METRIC ±					

D ADD NOTE / 2/29/30 11/5/93 TJH
 C REDRAWN 4/24/90

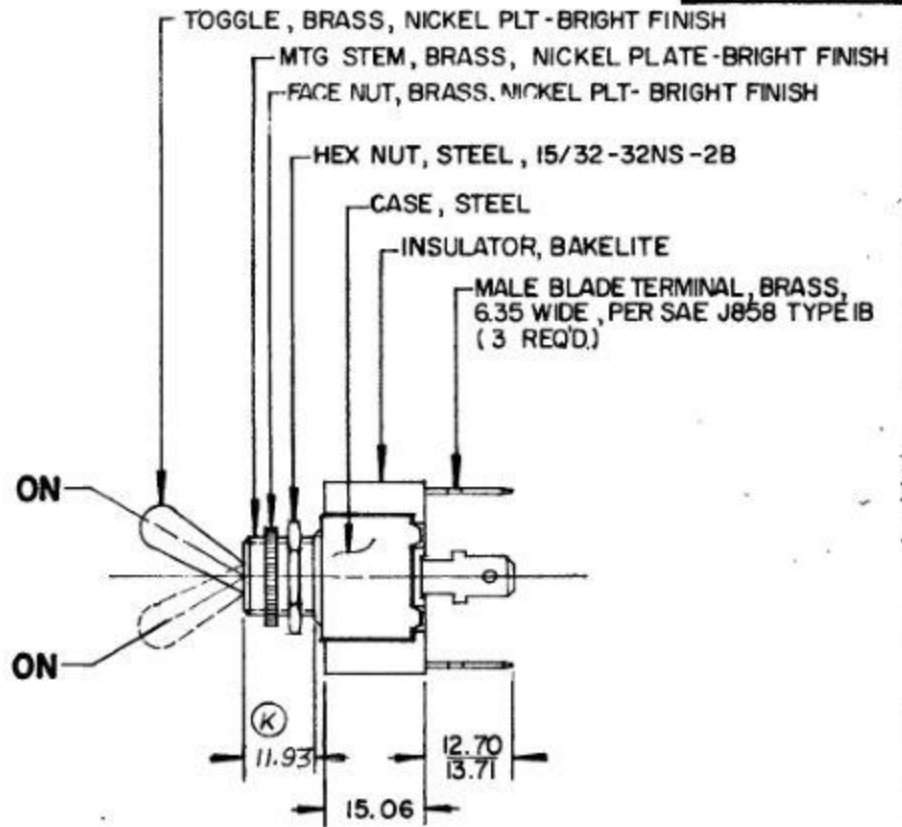
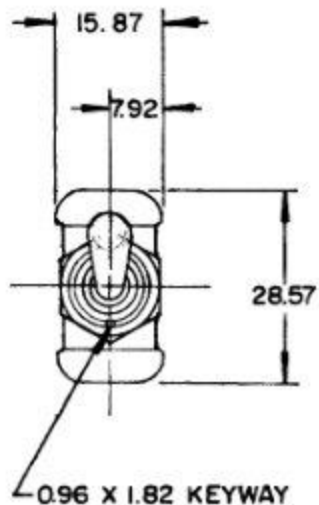
CH-188(4-78)

MM	IN
0.25	.010
0.96	.038
1.52	.060
1.82	.072
6.35	.250
7.92	.312
12.70	.500
11.93	.470
13.71	.540
14.98	.590
15.06	.593
15.87	.625
28.57	1.125

55015

RATING:

10 AMPS @ 250 V. A. C.
 15 AMPS @ 125 V. A. C.
 25 AMPS @ 12 V. D. C.



NOTE

- 1. ALL STEEL PARTS EITHER ZINC PLATE WITH DICHROMATE DIP OR CADMIUM PLATE
- 2. SILVER CONTACT SURFACES

METRIC

DO NOT SCALE

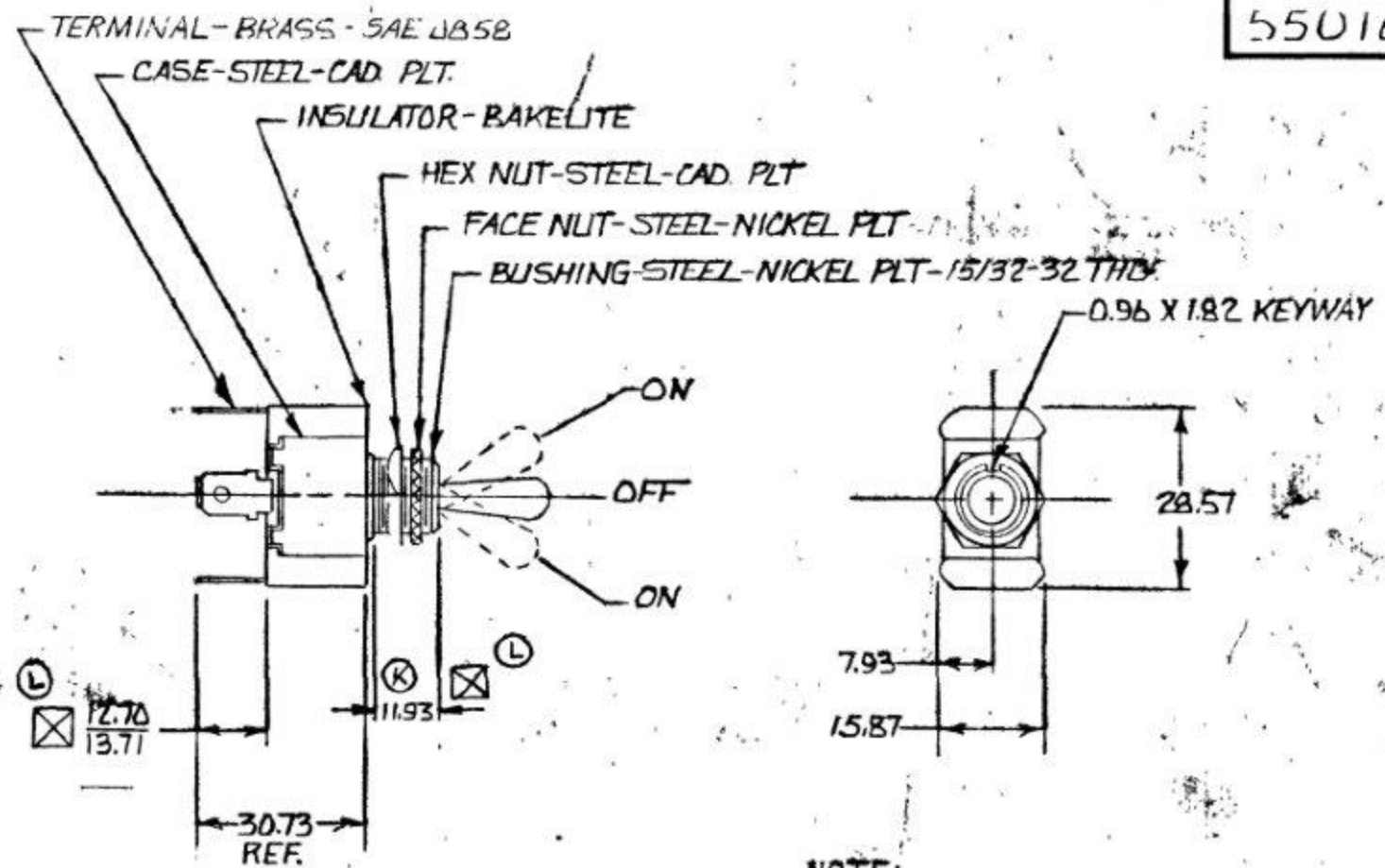
LET	WAS	DATE	BY	LET	WAS	DATE	BY	MATERIAL	DRAWN	CHECKED	APPRV D	SCALE	DATE DRAWN
								—	PLB	TY		1:1	9 - 6 - 56
								FINISH					DATE BLUEPRINT
				L	AND NOTE / 25432	7/15/93	TGH						
				K	.531/21279	1-21-81	(K)	TOLERANCES					
				J	REDRAWN	5-2-79	JV	DECIMAL ±	SP-DT TOGGLE SWITCH				55015
								METRIC ± 0.25					

CH-188(4-78)

55016

COLE-HERSEE CO.

0.25	.010
0.38	.015
0.96	.038
1.52	.060
1.82	.072
7.93	.312
12.70	.500
11.93	.470
13.71	.540
14.98	.590
15.87	.625
28.57	1.125
30.73	1.210



NOTE:
 Ⓚ SILVER CONTACT SURFACES

METRIC

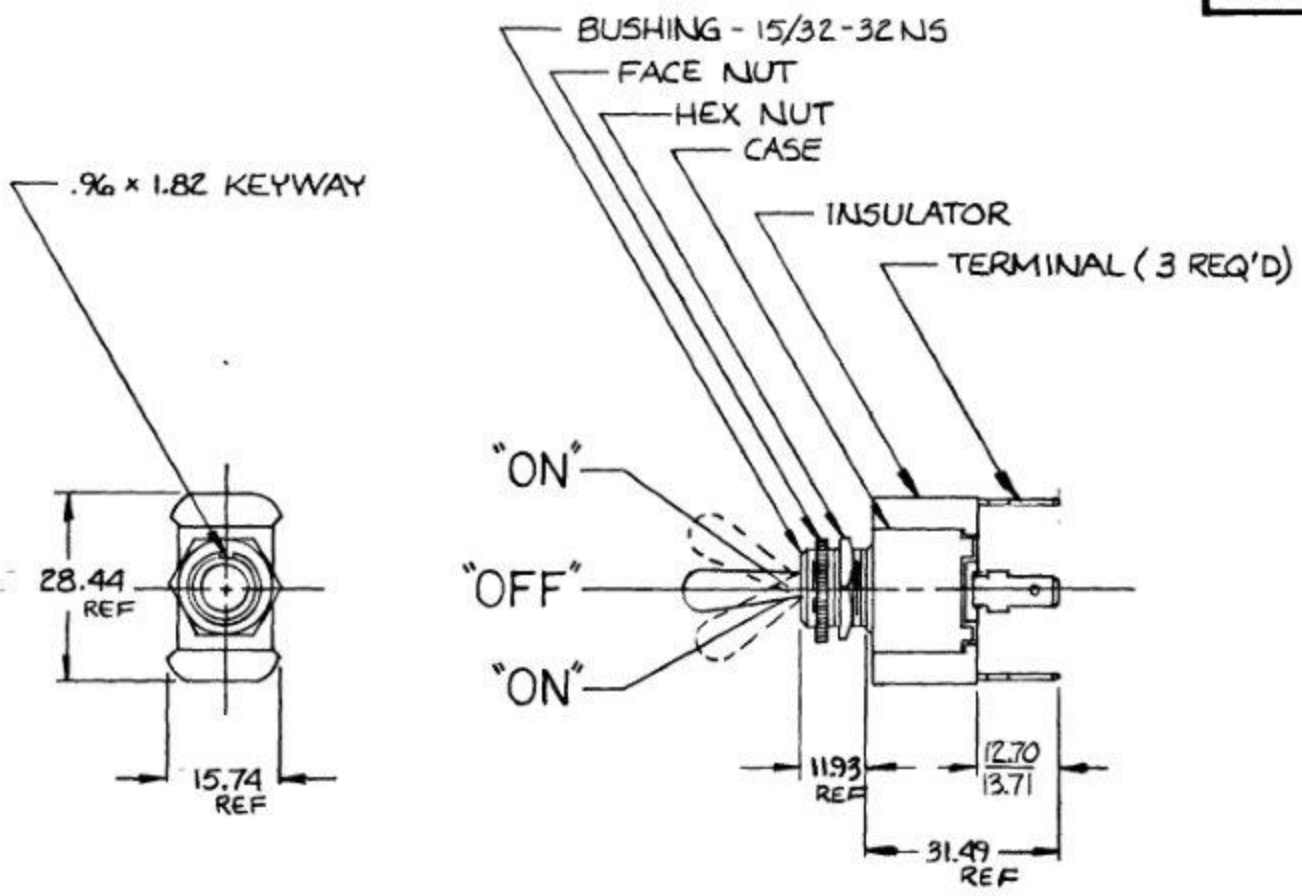
DO NOT SCALE

LET	WAS	DATE	BY	LET	WAS	DATE	BY	MATERIAL	DRAWN	CHECKED	APPR'D	SCALE	DATE DRAWN
									PLB	JH		1-1	9-6-56
				M	ADD NOTE/25932	9/15/93	JH	FINISH	COLE-HERSEE COMPANY BOSTON, MASS. 02127, U.S.A.				DATE BLUEPRINT
				L	ADD 54/100/80/5	2-25-92	PH						
				K	531/21279	1-21-81	PH	TOLERANCES	TOGGLE SWITCH				55016
				J	ADD 106/100/80/5	4/1/77	PH	FRACTIONAL ± 0.38 DECIMAL ± 0.25					

SPAULDING CO., INC. 21-5353

55016-06

MM	IN
.96	.038
1.82	.072
12.70	.500
13.71	.540
15.74	.620
28.44	1.120
31.49	1.240
11.93	.470



METRIC

- NOTES:
- 1.0" RING SEAL IN BUSHING.
 - SILVER CONTACTS.
 - 25 AMPS @ 12 VDC LAMP LOAD.

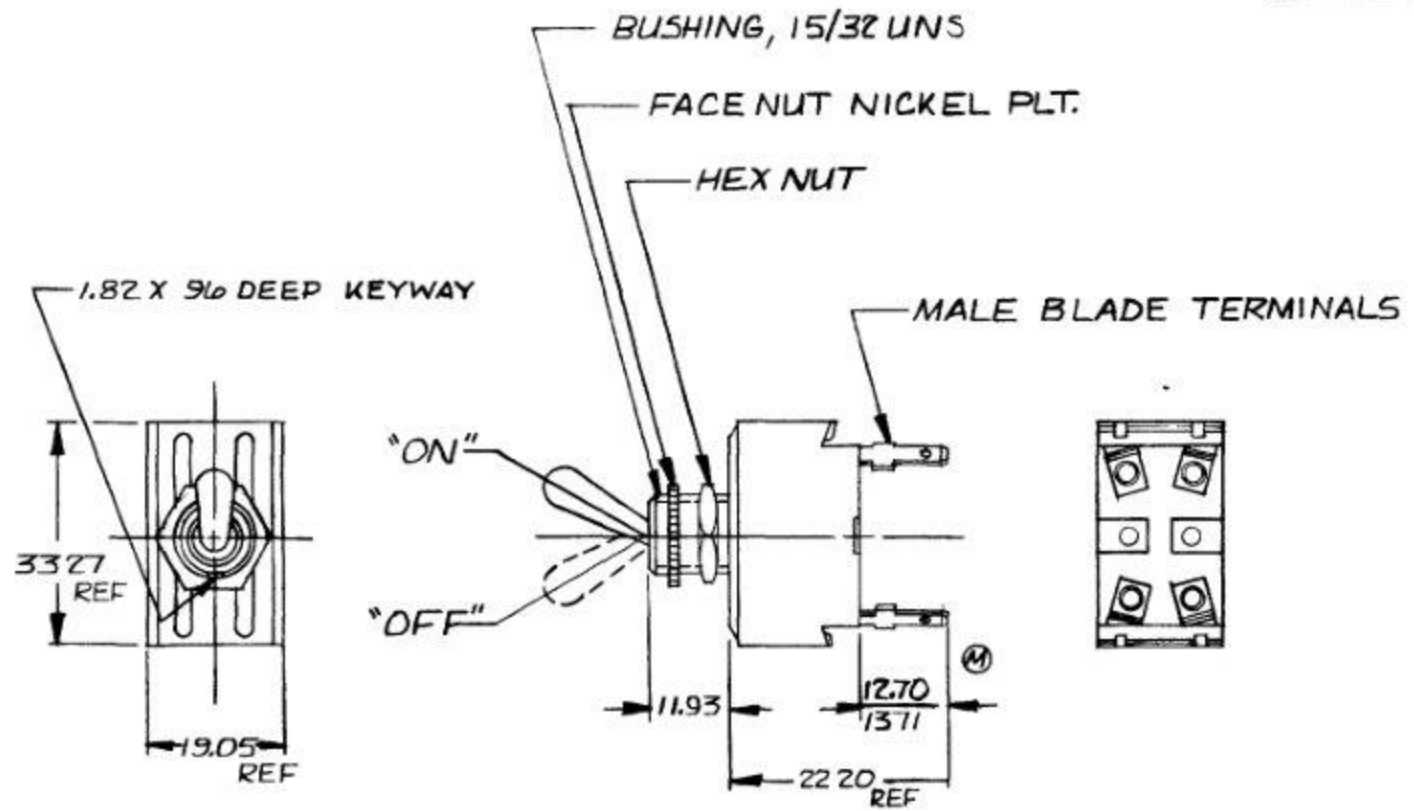
DO NOT SCALE

LET	WAS	DATE	BY	LET	WAS	DATE	BY	MATERIAL	DRAWN	CHECKED	APPR'D	SCALE	DATE DRAWN
								— #	W	B	RJA	1X	8-31-84
								FINISH	 WILD COUNTRY STONE BATHY BOSTON MA 02148				DATE BLUEPRINT
							— #	TOLERANCES					TOGGLE SWITCH
								DECIMAL ±					
								METRIC ±					

CH-188(4-78)

FR	IN
.25	.010
.96	.038
1.82	.072
11.93	.470
12.70	.500
13.11	.540
13.05	.750
22.20	.874
33.27	1.310

55017



25 AMPS 12VDC

NOTE
 Ⓜ SILVER CONTACT SURFACES

METRIC

DO NOT SCALE

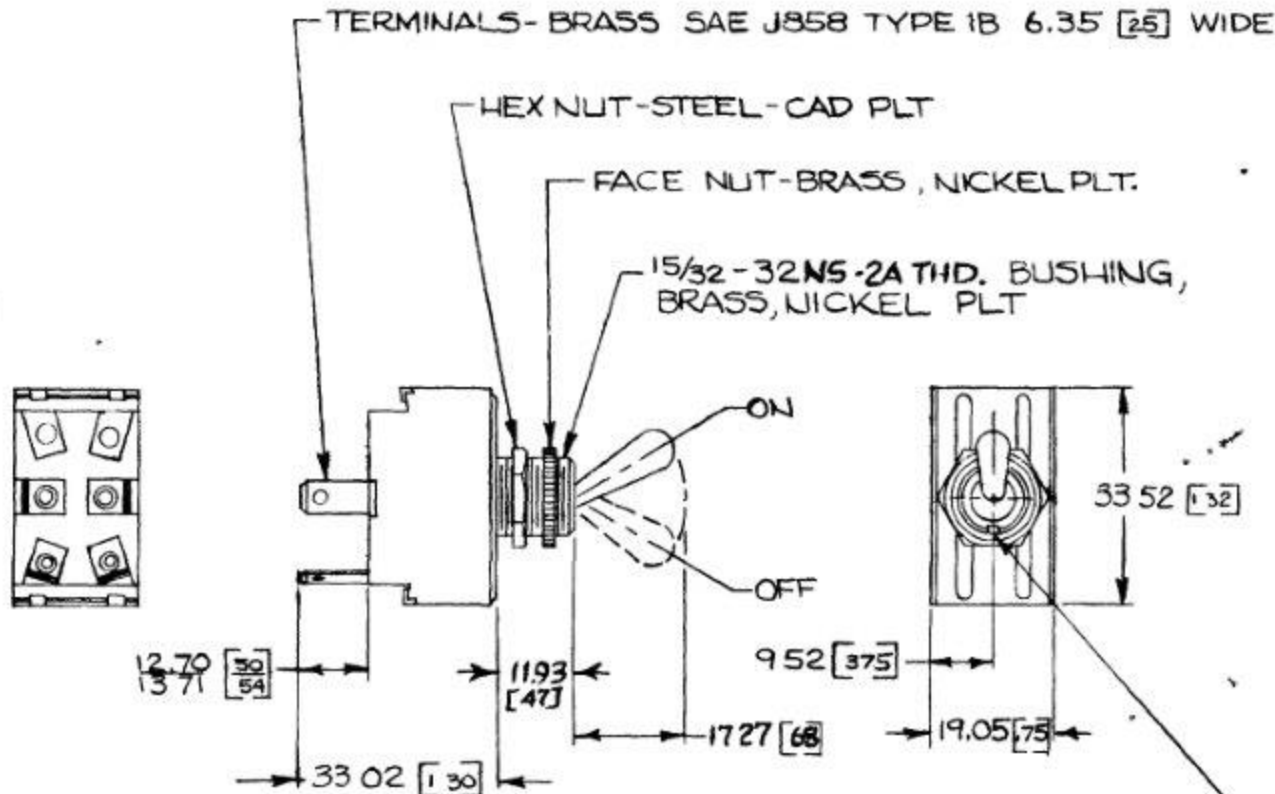
LET	WAS	DATE	BY	LET	WAS	DATE	BY	MATERIAL	DRAWN	CHECKED	APPR'D	SCALE	DATE DRAWN
								//	GS	RJA		1 1	8-21-56
								FINISH	 Cole Hersee Co. <small>INCORPORATED IN MICHIGAN U.S.A. 27</small>				DATE BLUEPRINT
								//					
				N	ADD NOTE/25432	7/13/93	TJH	TOLERANCES	D.P.-S.T. OFF-ON TOGGLE SW.				55017
				M	REV TERMS	1-7-82	Ⓜ	DECIMAL ±					
				L	REV & REDRAWN	4-16-88	Ⓜ	METRIC ± .25					

CH 188(4 78)

COLE-HERSEE CO. NPM 11-10-75

EX-17265

55017-02



DIMENSIONS MILLIMETERS [INCHES]

25 AMPS @ 12 V DC

NOTE
 1" O RING SEALED (NEOPRENE)
 (A) 2 SILVER CONTACT SURFACES

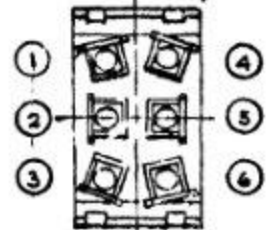
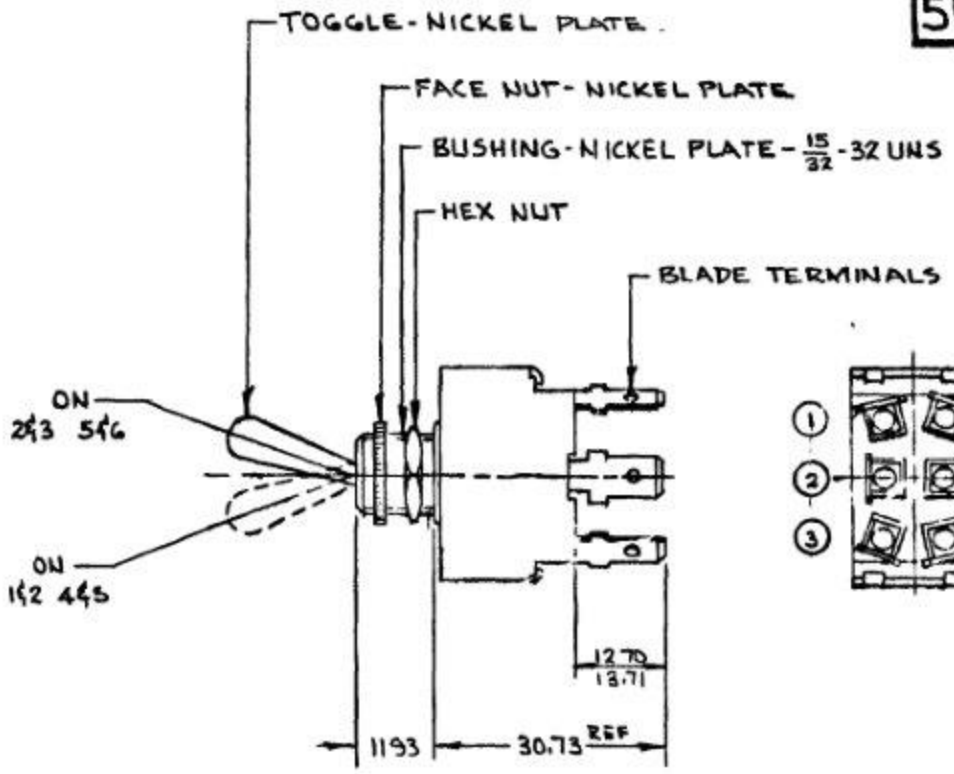
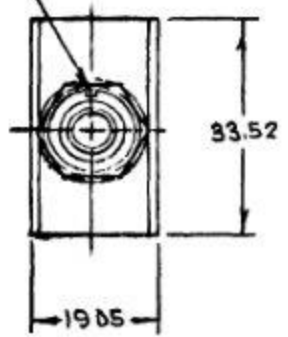
DO NOT SCALE

LET	WAS	DATE	BY	LET	WAS	DATE	BY	MATERIAL	DRAWN	CHECKED	APPR'D	SCALE	BASIC, EXCEPT	DATE DRAWN	
								1/2	JW	TH		1=1	O-RING SEALED	10-16-75	
								FINISH	COLE-HERSEE COMPANY BOSTON, MASS 02127, U.S.A.					DATE BLUEPRINT	
								TOLERANCES						DPST, "OFF-ON" TOGGLE SWITCH	
				A		ADD NOTE / 25932	11/73	TH	FRACTIONAL ± DECIMAL ± 0.10						
						ISSUED	11/8/75	TH							

MM	IN
.254	.010
.635	.025
1.27	.050
1.905	.075
2.54	.100
3.175	.125
3.81	.150
4.445	.175
5.08	.200
5.715	.225
6.35	.250
6.985	.275
7.62	.300
8.255	.325
8.9	.350
9.545	.375
10.19	.400
10.835	.425
11.48	.450
12.125	.475
12.77	.500
13.415	.525
14.06	.550
14.705	.575
15.35	.600
15.995	.625
16.64	.650
17.285	.675
17.93	.700
18.575	.725
19.22	.750
19.865	.775
20.51	.800
21.155	.825
21.8	.850
22.445	.875
23.09	.900
23.735	.925
24.38	.950
25.025	.975
25.67	1.000
26.315	1.025
26.96	1.050
27.605	1.075
28.25	1.100
28.895	1.125
29.54	1.150
30.185	1.175
30.83	1.200
31.475	1.225
32.12	1.250
32.765	1.275
33.41	1.300
34.055	1.325
34.7	1.350
35.345	1.375
35.99	1.400
36.635	1.425
37.28	1.450
37.925	1.475
38.57	1.500
39.215	1.525
39.86	1.550
40.505	1.575
41.15	1.600
41.795	1.625
42.44	1.650
43.085	1.675
43.73	1.700
44.375	1.725
45.02	1.750
45.665	1.775
46.31	1.800
46.955	1.825
47.6	1.850
48.245	1.875
48.89	1.900
49.535	1.925
50.18	1.950
50.825	1.975
51.47	2.000
52.115	2.025
52.76	2.050
53.405	2.075
54.05	2.100
54.695	2.125
55.34	2.150
55.985	2.175
56.63	2.200
57.275	2.225
57.92	2.250
58.565	2.275
59.21	2.300
59.855	2.325
60.5	2.350
61.145	2.375
61.79	2.400
62.435	2.425
63.08	2.450
63.725	2.475
64.37	2.500
65.015	2.525
65.66	2.550
66.305	2.575
66.95	2.600
67.595	2.625
68.24	2.650
68.885	2.675
69.53	2.700
70.175	2.725
70.82	2.750
71.465	2.775
72.11	2.800
72.755	2.825
73.4	2.850
74.045	2.875
74.69	2.900
75.335	2.925
75.98	2.950
76.625	2.975
77.27	3.000
77.915	3.025
78.56	3.050
79.205	3.075
79.85	3.100
80.495	3.125
81.14	3.150
81.785	3.175
82.43	3.200
83.075	3.225
83.72	3.250
84.365	3.275
85.01	3.300
85.655	3.325
86.3	3.350
86.945	3.375
87.59	3.400
88.235	3.425
88.88	3.450
89.525	3.475
90.17	3.500
90.815	3.525
91.46	3.550
92.105	3.575
92.75	3.600
93.395	3.625
94.04	3.650
94.685	3.675
95.33	3.700
95.975	3.725
96.62	3.750
97.265	3.775
97.91	3.800
98.555	3.825
99.2	3.850
99.845	3.875
100.49	3.900
101.135	3.925
101.78	3.950
102.425	3.975
103.07	4.000
103.715	4.025
104.36	4.050
105.005	4.075
105.65	4.100
106.295	4.125
106.94	4.150
107.585	4.175
108.23	4.200
108.875	4.225
109.52	4.250
110.165	4.275
110.81	4.300
111.455	4.325
112.1	4.350
112.745	4.375
113.39	4.400
114.035	4.425
114.68	4.450
115.325	4.475
115.97	4.500
116.615	4.525
117.26	4.550
117.905	4.575
118.55	4.600
119.195	4.625
119.84	4.650
120.485	4.675
121.13	4.700
121.775	4.725
122.42	4.750
123.065	4.775
123.71	4.800
124.355	4.825
125.0	4.850
125.645	4.875
126.29	4.900
126.935	4.925
127.58	4.950
128.225	4.975
128.87	5.000
129.515	5.025
130.16	5.050
130.805	5.075
131.45	5.100
132.095	5.125
132.74	5.150
133.385	5.175
134.03	5.200
134.675	5.225
135.32	5.250
135.965	5.275
136.61	5.300
137.255	5.325
137.9	5.350
138.545	5.375
139.19	5.400
139.835	5.425
140.48	5.450
141.125	5.475
141.77	5.500
142.415	5.525
143.06	5.550
143.705	5.575
144.35	5.600
144.995	5.625
145.64	5.650
146.285	5.675
146.93	5.700
147.575	5.725
148.22	5.750
148.865	5.775
149.51	5.800
150.155	5.825
150.8	5.850
151.445	5.875
152.09	5.900
152.735	5.925
153.38	5.950
154.025	5.975
154.67	6.000
155.315	6.025
155.96	6.050
156.605	6.075
157.25	6.100
157.895	6.125
158.54	6.150
159.185	6.175
159.83	6.200
160.475	6.225
161.12	6.250
161.765	6.275
162.41	6.300
163.055	6.325
163.7	6.350
164.345	6.375
164.99	6.400
165.635	6.425
166.28	6.450
166.925	6.475
167.57	6.500
168.215	6.525
168.86	6.550
169.505	6.575
170.15	6.600
170.795	6.625
171.44	6.650
172.085	6.675
172.73	6.700
173.375	6.725
174.02	6.750
174.665	6.775
175.31	6.800
175.955	6.825
176.6	6.850
177.245	6.875
177.89	6.900
178.535	6.925
179.18	6.950
179.825	6.975
180.47	7.000
181.115	7.025
181.76	7.050
182.405	7.075
183.05	7.100
183.695	7.125
184.34	7.150
184.985	7.175
185.63	7.200
186.275	7.225
186.92	7.250
187.565	7.275
188.21	7.300
188.855	7.325
189.5	7.350
190.145	7.375
190.79	7.400
191.435	7.425
192.08	7.450
192.725	7.475
193.37	7.500
194.015	7.525
194.66	7.550
195.305	7.575
195.95	7.600
196.595	7.625
197.24	7.650
197.885	7.675
198.53	7.700
199.175	7.725
199.82	7.750
200.465	7.775
201.11	7.800
201.755	7.825
202.4	7.850
203.045	7.875
203.69	7.900
204.335	7.925
204.98	7.950
205.625	7.975
206.27	8.000
206.915	8.025
207.56	8.050
208.205	8.075
208.85	8.100
209.495	8.125
210.14	8.150
210.785	8.175
211.43	8.200
212.075	8.225
212.72	8.250
213.365	8.275
214.01	8.300
214.655	8.325
215.3	8.350
215.945	8.375
216.59	8.400
217.235	8.425
217.88	8.450
218.525	8.475
219.17	8.500
219.815	8.525
220.46	8.550
221.105	8.575
221.75	8.600
222.395	8.625
223.04	8.650
223.685	8.675
224.33	8.700
224.975	8.725
225.62	8.750
226.265	8.775
226.91	8.800
227.555	8.825
228.2	8.850
228.845	8.875
229.49	8.900
230.135	8.925
230.78	8.950
231.425	8.975
232.07	9.000
232.715	9.025
233.36	9.050
234.005	9.075
234.65	9.100
235.295	9.125
235.94	9.150
236.585	9.175
237.23	9.200
237.875	9.225
238.52	9.250
239.165	9.275
239.81	9.300
240.455	9.325
241.1	9.350
241.745	9.375
242.39	9.400
243.035	9.425
243.68	9.450
244.325	9.475
244.97	9.500
245.615	9.525
246.26	9.550
246.905	9.575
247.55	9.600
248.195	9.625
248.84	9.650
249.485	9.675
250.13	9.700
250.775	9.725
251.42	9.750
252.065	9.775
252.71	9.800
253.355	9.825
254.0	9.850
254.645	9.875
255.29	9.900
255.935	9.925
256.58	9.950
257.225	9.975
257.87	10.000

55018

KEYWAY 96 X 1.82



NOTE
 (H) SILVER CONTACT SURFACES

METRIC 25AMPS @ 12V DC LAMP LOAD

DO NOT SCALE

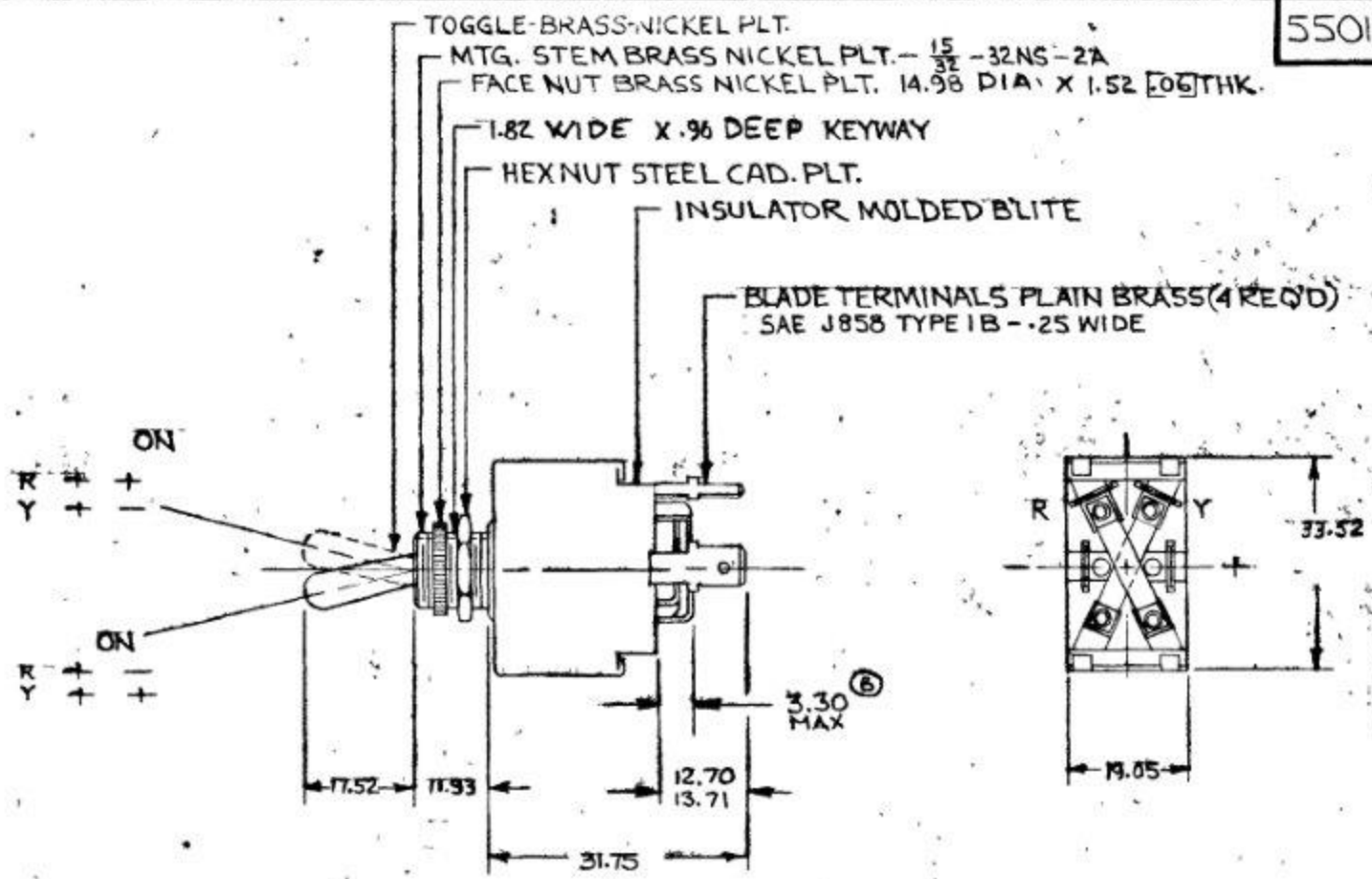
LET	WAS	DATE	BY	LET	WAS	DATE	BY	MATERIAL	DRAWN	CHECKED	APPROVD	SCALE	DATE DRAWN
								—	GS	H		1:1	8-21-56
								FINISH					DATE BLUEPRINT
								—					
				H	ADD NOTE / 25932	1/15/56	LN	TOLERANCES	TOGGLE SWITCH DPDT				55018
			G	REDRAWN, NO CHANGE	7-20-83	RJE	DECIMAL ±						
								METRIC ±0.25					

CH-188(4-78)

COLE-HERSEE CO. NPM. 9-22-75

EX. 15740 & 17361

55018-01



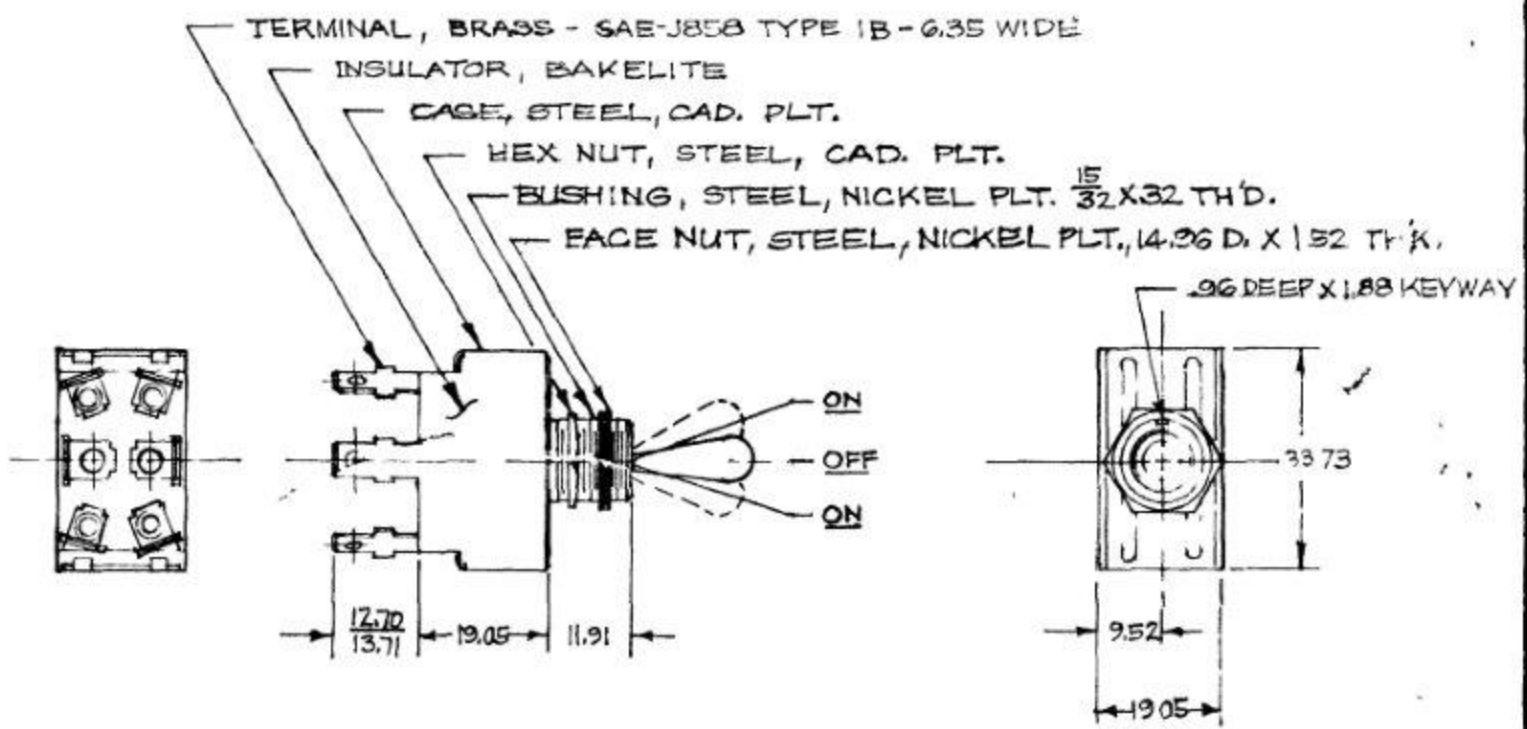
DO NOT SCALE

LET	WAS	DATE	BY	LET	WAS	DATE	BY	MATERIAL	DRAWN	CHECKED	APPR'D	SCALE	DATE DRAWN
								H	KG			FULL	9-2-75
								FINISH	COLE-HERSEE COMPANY BOSTON, MASS 02127, U.S.A.				DATE BLUEPRINT
				B	ECN24267	1-31-75	AF	H					
				A	REV/19190	10-14-75	KG	TOLERANCES	REVERSING SWITCH				55018-01
					ISSUED	9-24-75	AF	FRACTIONAL ±					
								DECIMAL ±					

SPAULDING CO., INC 21-55259

COLE-HERSEE CO.

55019



NOTE
 (B) SILVER CONTACT SURFACES

METRIC

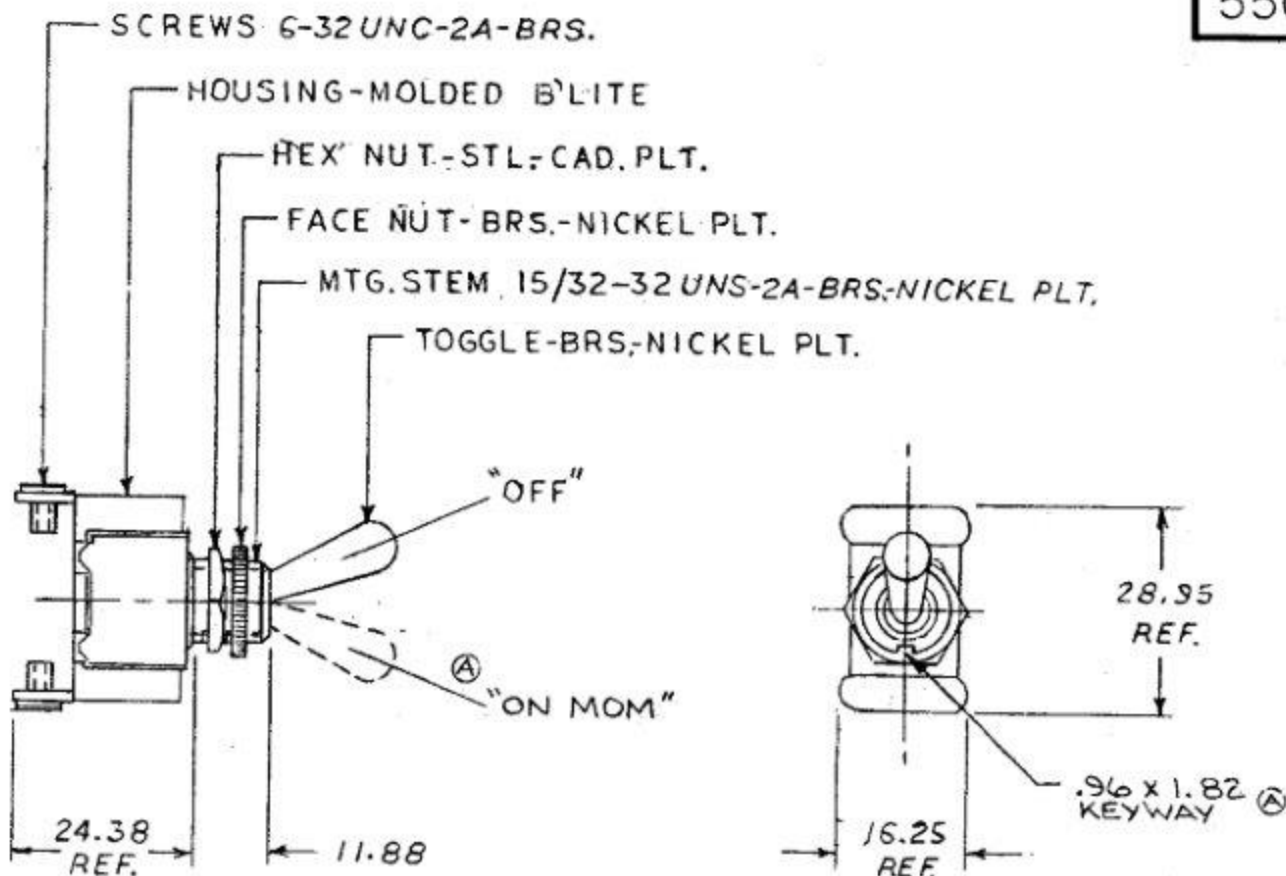
25 AMPS @ 12V DC

DO NOT SCALE

LET	WAS	DATE	BY	LET	WAS	DATE	BY	MATERIAL NOTED	DRAWN	CHECKED	APPROV D	SCALE	DATE DRAWN
									GS	TY		FULL	8-21-56
								FINISH	COLE-HERSEE COMPANY BOSTON, MASS 02127, USA				DATE BLUEPRINT
								TOLERANCES					D.P.D. TOGGLE SWITCH
				B	ADD NOTE 25432	9/14/53	T.H.	FRACTIONAL ±					
				A	W.L.P.A.W.I. IN METRIC	6-6-77	K	DECIMAL ± .25					

55020-02

METRIC



- NOTE:
- 1) NEOPRENE O-RING SEAL AT MTG STEM
 - 2) ALL STEEL PARTS EITHER ZINC PLT. DICHROMATE DIP OR CAD. PLT.
 - 3) SILVER CONTACT SURFACES

Confidential Property of Cole Hersee

DO NOT SCALE

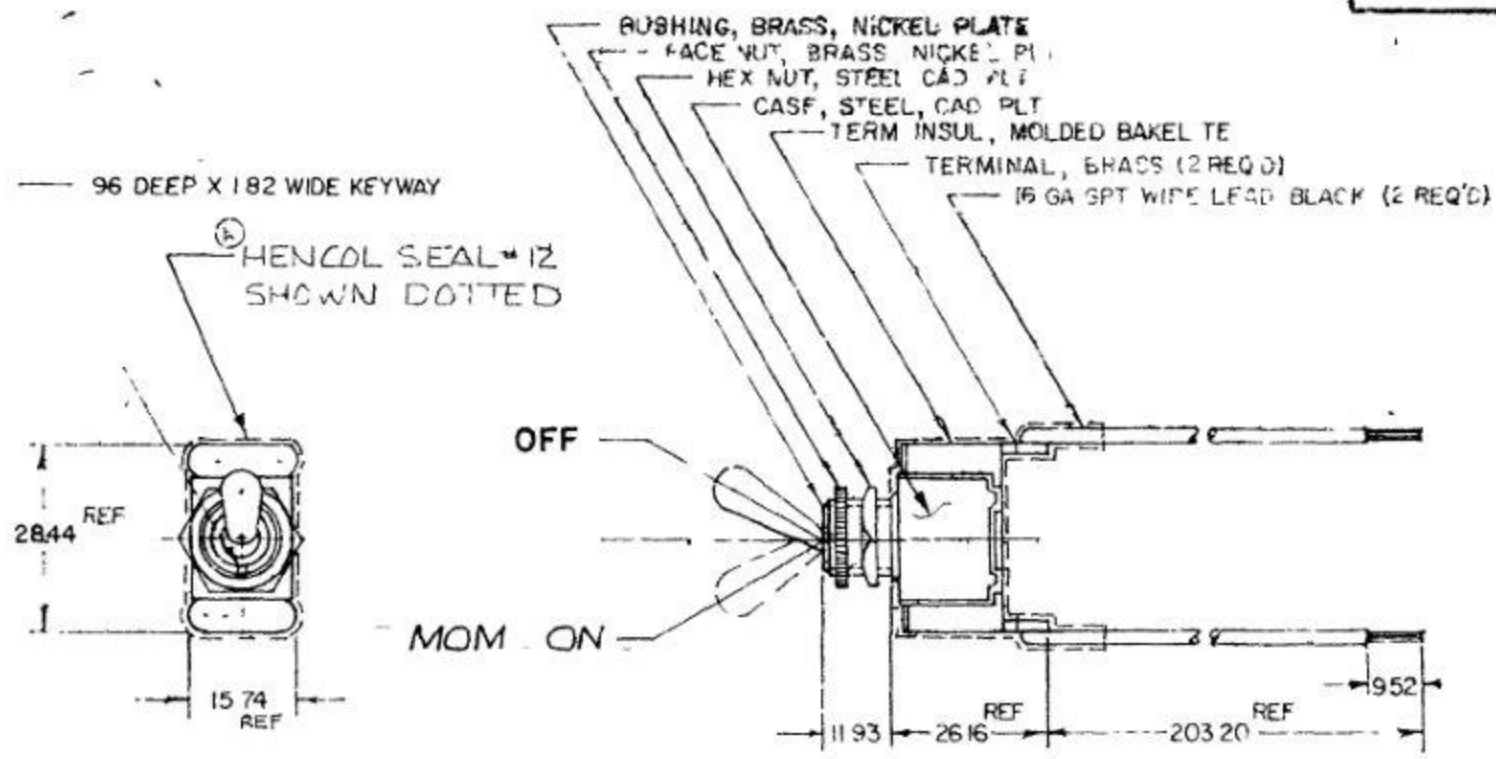
ET	WAS	DATE	BY	LET	WAS	DATE	BY	MATERIAL	DRAWN	CHECKED	APPR'D.	SCALE	BASIC WITH O-RING SEAL	DATE DRAWN
								—	EA	9-24-76		1=1		9-22-76
				B	ADD NOTE/25432	9/15/73	TJH	FINISH	COLE-HERSEE COMPANY BOSTON, MASS. 02127, U.S.A.					DATE BLUEPRINT
				A	ECN 23559	6-30-87	MZ	TOLERANCES						TOGGLE SW.
					ISSUED	7-25-86	AF	FRACTIONAL ±						
								DECIMAL ±0.25						

COLE-HERSEE CO.
 NPM

MM	IN
0.25	.010
0.96	.038
1.82	.072
11.88	.468
16.25	.640
17.44	.687
24.38	.960
28.95	1.140

55020-04

MM	IN
1.25	.010
.96	.035
1.82	.072
9.82	.375
11.93	.470
15.74	.620
26.16	1.035
23.44	1.120
203.20	8.000



NOTE
 1 NEOPRENE O RING SEALED
 (A)

METRIC

DO NOT SCALE

LET	WAS	DATE	BY	LET	WAS	DATE	BY	MATERIAL	DRAWN	CHECKED	APPRO'D	SCALE	DATE DRAWN
									NPM	B379			
								FINISH	Cole Hersee Co S.P.S.T. MOM TOGGLE SWITCH 55020-04				DATE BLUEPRINT
				A	DELETED NOTE ADDED NOTE ISSUED	3-23-84 8-3-79	PR	TOLERANCES DECIMAL ± .005 METRIC =					

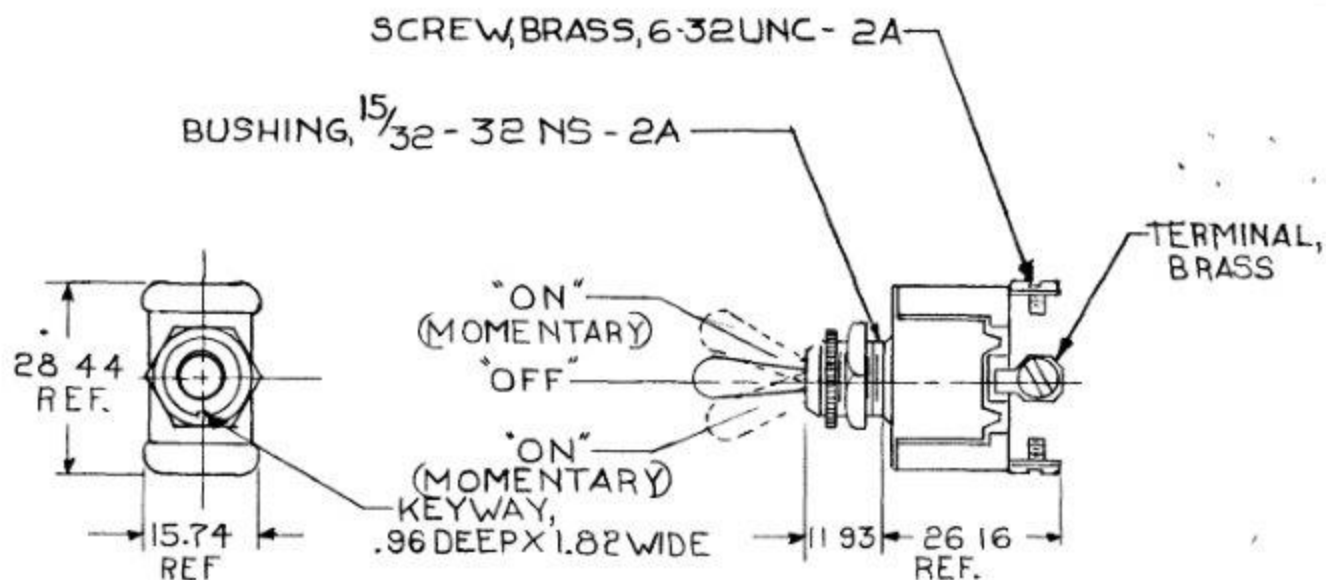
CH 188(4 78)

MM-IN
 .96 - 038
 1.52 - 060
 1.82 - 072
 11.93 - 470
 14.98 - 590
 15.74 - 620
 26.16 - 1.030
 28.44 - 1.120

55021

NOTE:
 Ⓞ SILVER CONTACT SURFACES

BLA02
 55033-01



METRIC

RATING: 25A @ 12V DC
 10A @ 24V DC

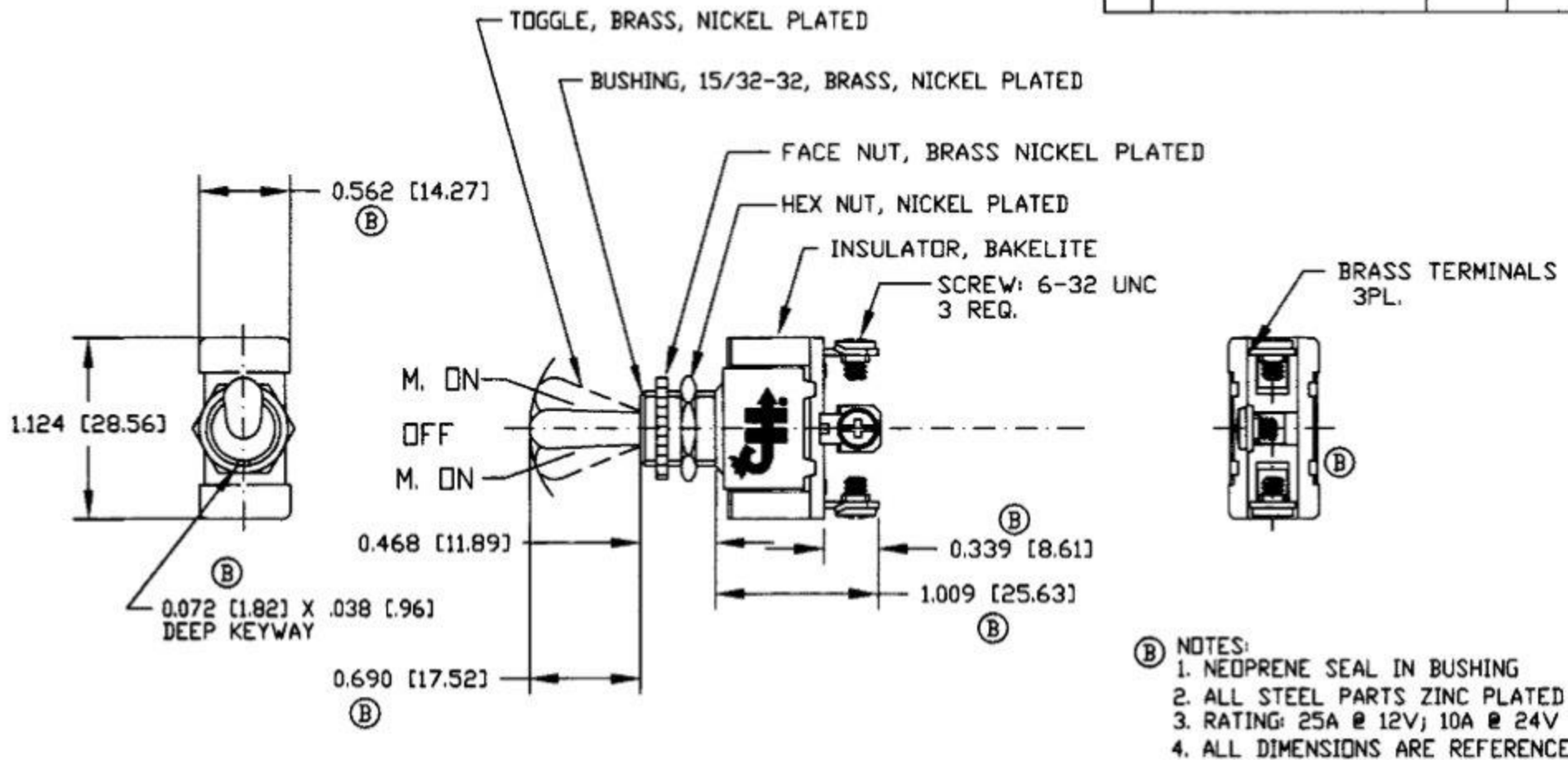
DO NOT SCALE

LET	WAS	DATE	BY	LET	WAS	DATE	BY	MATERIAL	DRAWN	CHECKED	APPR'D	SCALE	DATE DRAWN
								FINISH	WD	3-5-80		1:1	1-22-59
									CH Cole Hersee Co 10 0000 1 12 50 80 100 W 2 1 2				DATE BLUEPRINT
				D	ADD NOTE/25432	9/15/92	TJH	TOLERANCES	SPDT TOGGLE SWITCH (MOMENTARY)				55021
				C	REDRAWN	1 11 80	DS	DECIMAL ± METRIC ±					

CH 188(4 78)

Revision Control Record

Rev.	Description of Change	ECN No.	Date
B	PUT ON CAD	06001	012/27/06



Tolerances: Unless otherwise specifically noted, the following are default tolerances:
 • 2-place Decimal Dimensions $\pm .01$ "
 • 3-place Decimal Dimensions $\pm .005$ "
 • Angular Dimensions ± 1.0 Deg.
 • Metric: Refer to equivalent English Dimension Tolerance
 >>> NOTE: All tolerances are *Max-Consumable*, <<<

Dimensional Units: All dimensions are expressed in inches except those shown in brackets (xxx) are expressed in millimeters

REF. or an Asst. Co. = Non-Toleranced Reference Dimension, shown for identification purposes only.

PROPRIETARY INFORMATION: This Engineering Drawing, and the information contained herein, is proprietary to Cole Hersee Company and may not be disclosed, re-produced, or in any other way transferred or communicated to any other party without the express written consent of an authorized representative of Cole Hersee Company.

DESIGN CONTROL: It is the responsibility of the individual using / referencing this drawing to ensure that the noted design revision level agrees with the revision level of the Controlled Document (Master Drawing). This is a NON-CONTROLLED DOCUMENT unless otherwise specifically noted.

DO NOT SCALE: Dimensional variation may occur during printing / reproduction.

Special Characteristics:

- ◆ Critical Characteristic, relating to Safety and/or Regulatory Compliance
- X Significant Characteristic relating to Process Control (SPC)
- Ⓞ Key Characteristic relating to Form - Fit - Function as defined by Cole Hersee Company and/or the Customer

(Note that the identification of any Characteristic as being "Special" does not alter the requirement that ALL specified dimensions & tolerances must be met.)

Cole Hersee Co.
 20 Old Colony Ave., South Boston, MA, 02127
 Fax 617-388-2100 Web www.colehersee.com

Description: SWITCH, TOGGLE . SPDT
 M.ON-OFF-M.ON

Drawing / Part No.: 55021-04

Current Rev.: B

Used On: EX17289, Scale: 1:1
 or Ref.: EX17846

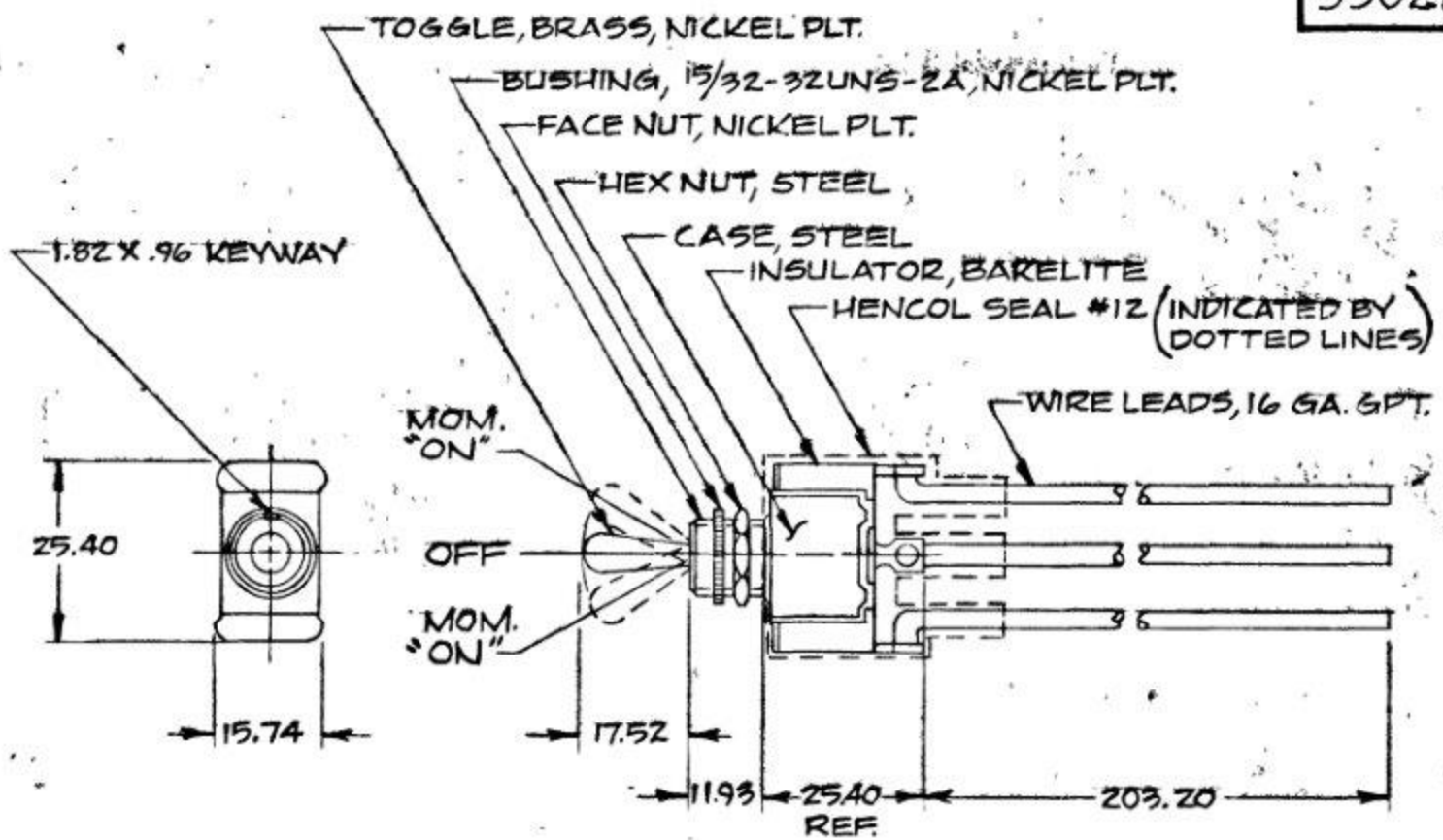
Drawn By: DPS Date Drawn: 5/27/82

Responsible Engineer: G.AUGUSTE Pg. 1 of 1

MM.	IN
25	.810
46	.038
1.82	.072
11.93	.470
15.74	.620
17.92	.690
25.40	1.000
38.44	1.120
50.20	2.000

55021-07

COLE-HERSEE CO.
NFM 3-30-77
731-6
EX-17874



- NOTES:
1. O-RING SEAL IN BUSHING
 2. ALL STEEL PARTS EITHER ZINC PLT. DICHROMATE DIP OR CAD. PLT.

METRIC

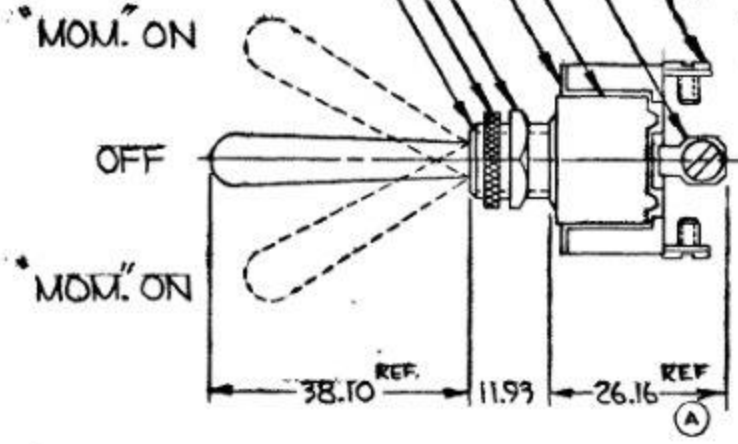
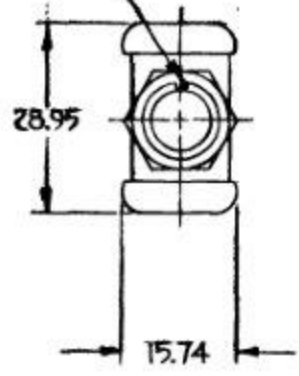
DO NOT SCALE

LET	WAS	DATE	BY	LET	WAS	DATE	BY	MATERIAL	DRAWN	CHECKED	APPR'D	SCALE	REVISIONS	DATE DRAWN
								#	KG	17		1:1	BASIC - 06 W/S LEADS, PVC COATED, FACE NUT & HEX NUT ASSEMBLED.	3-17-77
								#	COLE-HERSEE COMPANY BOSTON, MASS 02127, U.S.A.					DATE BLUEPRINT
								TOLERANCES FRACTIONAL ± DECIMAL ±.25	ISSUED 4-22-77 S.P.D.T. TOGGLE SW.					55021-07

55021-08

- SCREW, BRASS, 6-32 UNC-2A THD. (3 REQ'D)
- TERMINAL, BRASS (3 REQ'D)
- CASE, STEEL, CAD. PLT.
- INSULATOR, BAKELITE
- HEX-NUT, STEEL, CAD. PLT.
- FACE NUT, BRASS, NICKEL PLT.
14.98 DIA. X 1.52 THK.
- MTG. STEM, 15/32-32 UNS-2A
BRASS, NICKEL PLT.

KEYWAY 0.96 DEEP
X 1.82 WIDE



NOTE:
① SILVER CONTACT SURFACES

METRIC

25 AMP-14 VOLT D.C.

DO NOT SCALE

LET	WAS	DATE	BY	LET	WAS	DATE	BY	MATERIAL	DRAWN	CHECKED	APPR'D	SCALE	BASIC, WITH 1/2"	DATE DRAWN
								—H—	VK	TY		1:1	LONG BAT HANDLE	3-29-78
								—H—	COLE-HERSEE COMPANY BOSTON, MASS. 02127, U.S.A.				DATE BLUEPRINT	
				B	AND NOTE/25432	1/15/73	F.H.							
				A	ENG TEL. MAIL	20420	12 26 78	R.P.	TOLERANCES FRACTIONAL ± DECIMAL ±0.25					
					ISSUED	4-6-78	TY							
													TOGGLE SWITCH	55021-08

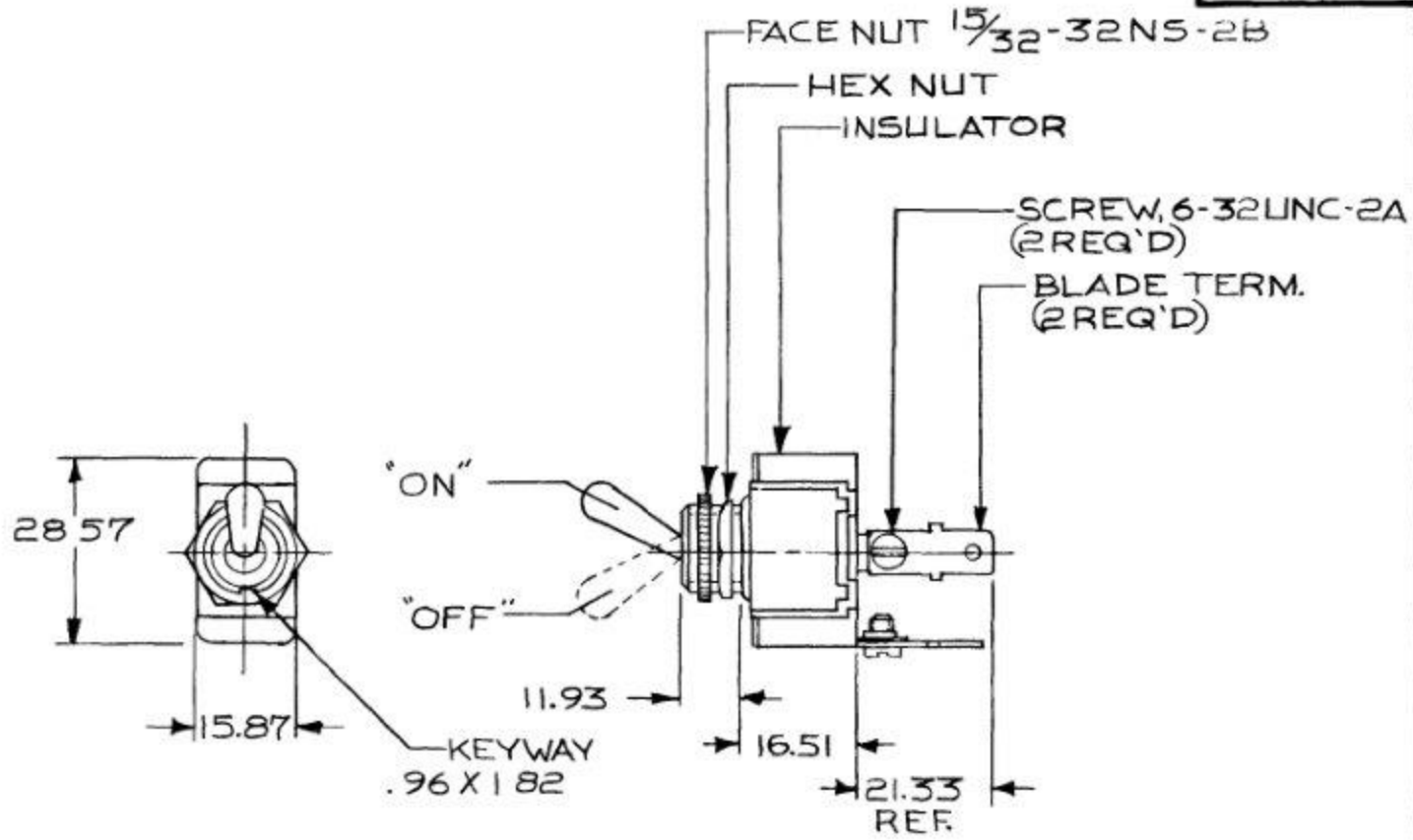
COLE-HERSEE CO.
 NPM

EX-18119

MIL	IN.
0.25	.010
0.96	.038
1.52	.060
1.82	.072
1.93	.076
14.98	.598
15.74	.620
26.16	1.030
28.95	1.140
38.10	1.500

MM IN
 .25 .010
 .96 .038
 1.82 .072
 11.93 470
 16.51 .650
 15.87 .625
 21.33 840
 28.57 1125

55023



NOTE:
 RATING: 15AMP @ 12V

METRIC

DO NOT SCALE

LET	WAS	DATE	BY	LET	WAS	DATE	BY	MATERIAL	DRAWN	CHECKED	APPR'D	SCALE	DATE DRAWN
								— # —	MM	827-80		1:1	5-28-59
								FINISH	 39 OLD COLUMBIAN AVENUE SOUTH WESTON, MASS. U.S.A. 01977				DATE BLUEPRINT
								TOLERANCES					S.P.S.T. TOGGLE SW
								DECIMAL ±					
								METRIC ± .25					

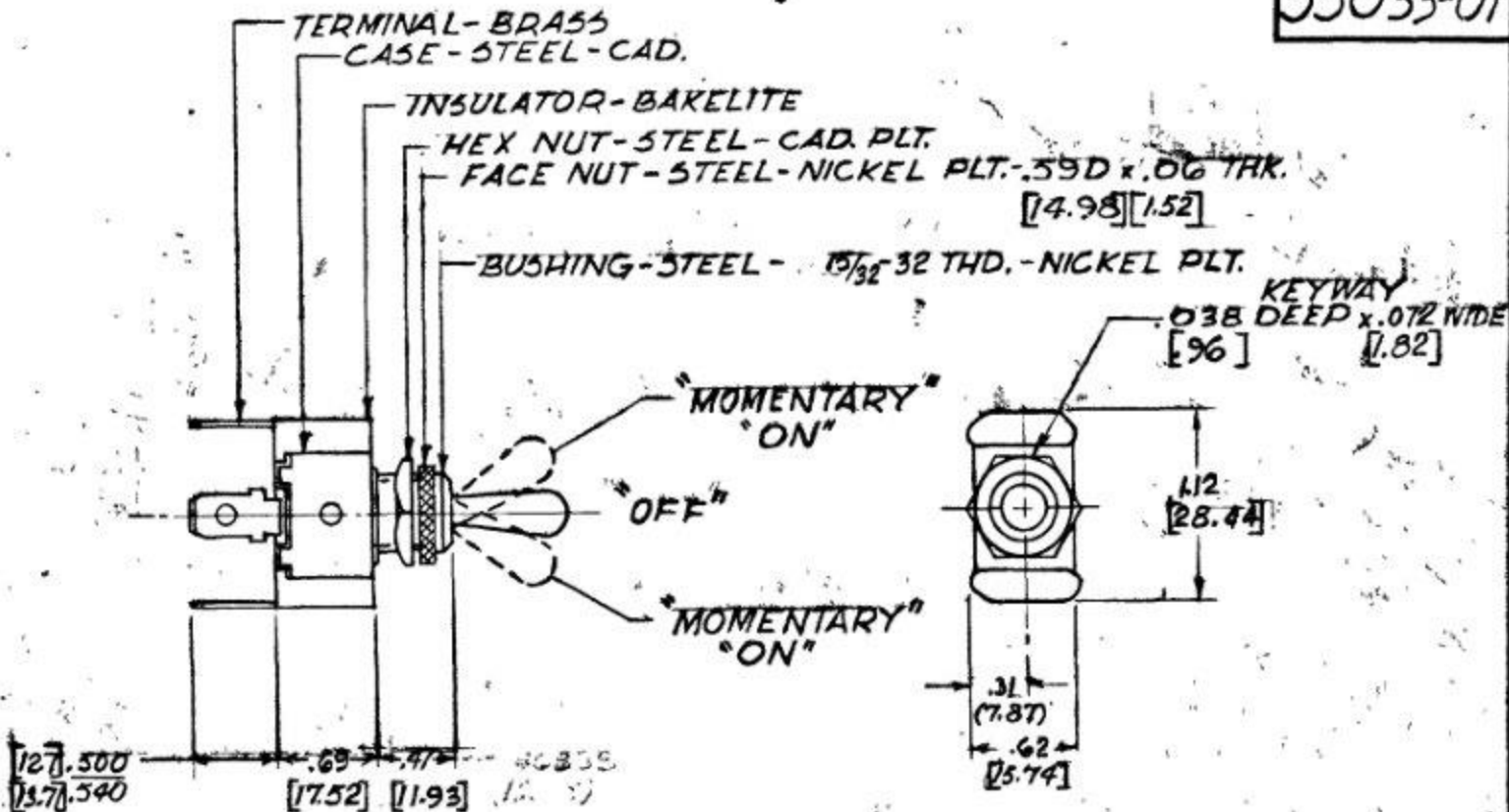
CH-188(4-78)

SCREW
55021

NFM 1-A-7

COLE-HERSEE CO.

55033-01



NOTE

(A) SILVER CONTACT SURFACES

25 AMP - 14 VOLT D.C.

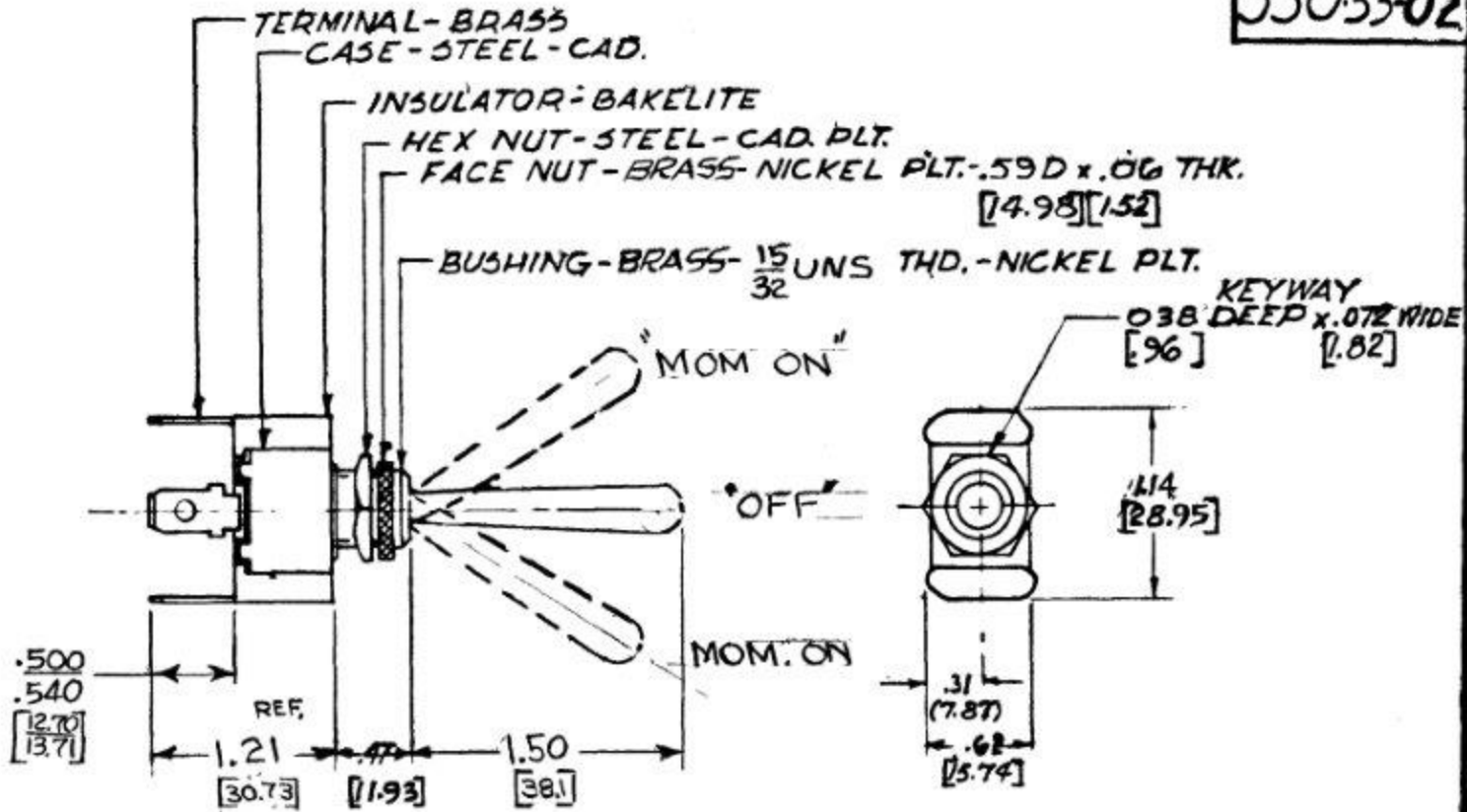
DO NOT SCALE

LET	WAS	DATE	BY	LET	WAS	DATE	BY	MATERIAL	DRAWN	CHECKED	APPROV'D	SCALE	DATE DRAWN
									S.B.	9/15/73	9/15/73	FULL	DEC 5, 1973
								FINISH	COLE-HERSEE COMPANY				DATE BLUEPRINT
								TOLERANCES	BOSTON, MASS 02127, U.S.A.				
				A				FRACTIONAL ±	TOGGLE SWITCH				55033-01
								DECIMAL ±					

COLE-HERSEE CO. NPM 11-5-75

EX17418

550.33-02



NOTE

Ⓐ SILVER CONTACT SURFACES

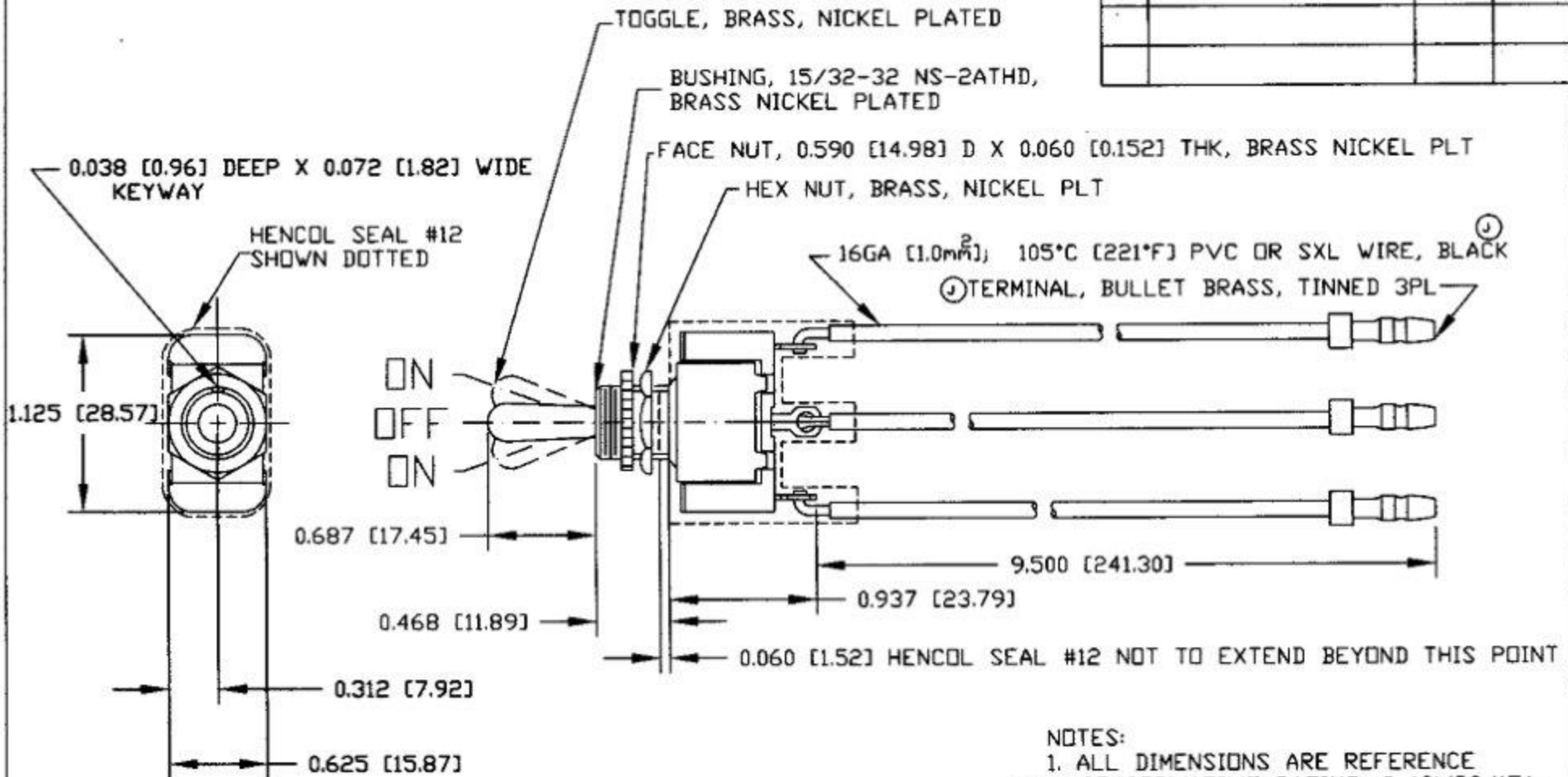
25 AMP - 14 VOLT D.C.

DO NOT SCALE

LET	WAS	DATE	BY	LET	WAS	DATE	BY	MATERIAL	DRAWN	CHECKED	APPROVD	SCALE	DATE DRAWN
								—H—	C.S.	[Signature]		FULL	11-10-75
								FINISH	COLE-HERSEE COMPANY				DATE BLUEPRINT
								—H—	BOSTON, MASS. 02127, U.S.A.				
				A	ADD NOTE/25932	9/15/75	TJH	TOLERANCES	TOGGLE SWITCH				55033-02
					ISSUED	11-18-75	[Signature]	FRACTIONAL ±					
								DECIMAL ±					

Revision Control Record

Rev.	Description of Change	ECN No.	Date
J	NOTE CHANGE	04074	02/24/04



- NOTES:
1. ALL DIMENSIONS ARE REFERENCE
 2. CONSERVATIVE RATING, @ 12VDC/15A.
 3. D-RING SEAL IN MOUNTING STEM.

Tolerances. Unless otherwise specifically noted, the following are default tolerances:
 * 2-place Decimal Dimensions $\pm .01"$
 * 3-place Decimal Dimensions $\pm .005"$
 * Angular Dimensions ± 1.0 Deg.
 * Metric: Refer to equivalent English Dimension Tolerance
 *** NOTE: All tolerances are Non-Cumulative. ***

Dimensional Units. All dimensions are expressed in inches except those shown in brackets (xxx) are expressed in millimeters

"REF." or an Asterisk (*) = Non-Toleranced Reference Dimension, shown for clarification purposes only.

PROPRIETARY INFORMATION. This Engineering Drawing, and the information contained herein, is proprietary to Cole Hersee Company and may not be disclosed, re-produced, or in any other way transferred or communicated to any other party without the express written consent of an authorized representative of Cole Hersee Company.

DESIGN CONTROL. It is the responsibility of the individual using/referencing this drawing to assure that the noted design revision level agrees with the revision level of the Controlled Document (Master Drawing). This is a NON-CONTROLLED DOCUMENT unless otherwise specifically noted.

DO NOT SCALE - Dimensional variation may occur during printing/reproduction.

Special Characteristics:

- Critical Characteristic, relating to Safety and/or Regulatory Compliance
- Significant Characteristic relating to Process Control (SPC)
- Key Characteristic relating to Form - FR - Function as defined by Cole Hersee Company and/or the Customer

(Note that the identification of any Characteristics as being "Special" does not alter the requirement that ALL specified dimensions & tolerances must be met.)

Cole Hersee Co.
 20 Old Colony Ave., South Boston, MA, 02127
 Phone: 617-368-2100 Web: www.colehersee.com

Description:
TOGGLE SWITCH, SPDT

Drawing / Part No.: **55036**

Current Rev.: **J**

Used On or Ref.:

Scale: **1:1**

Drawn By: **ZU**

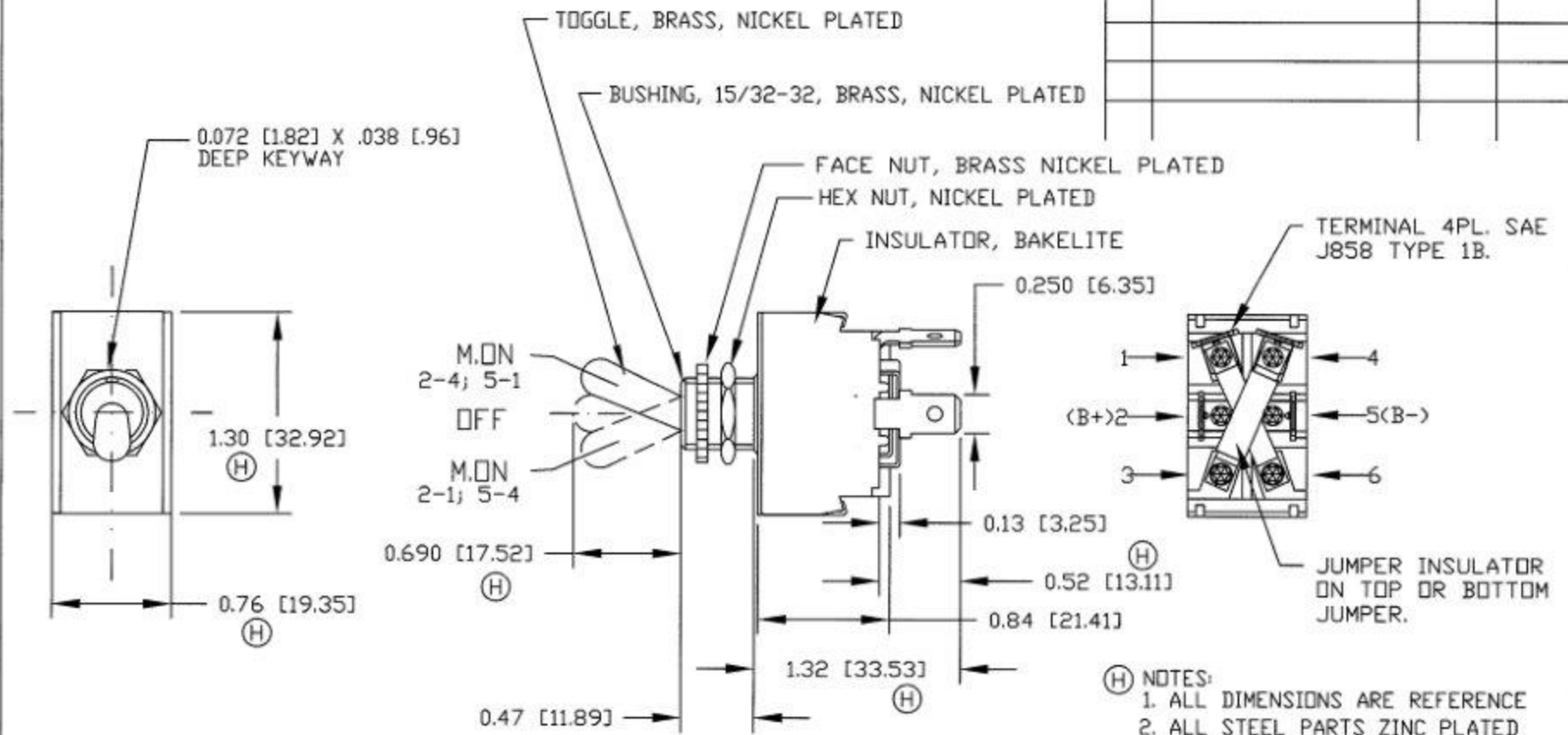
Date Drawn: **12/27/88**

Responsible Engineer: **GA**

Pg. 1 of 1

Revision Control Record

Rev.	Description of Change	ECN No.	Date
H	CONVERTED TO CAD	11131	04/21/11



Tolerances: Unless otherwise specifically noted, the following are default tolerances:
2-places +/- 0.02"
3-places +/- 0.005"
Angular +/- 1'
 Metric: Shown in [] refers to equivalent English Dim Tol
 "REF." or an Asterisk (*) = Non-Toleranced Reference Dimension, shown for clarification purposes only.
 NOTE: All tolerances are Non-Cumulative.

PROPRIETARY INFORMATION
 This Engineering Drawing, and the information contained herein, is proprietary to Cole Hersee Company and may not be disclosed, re-produced, or in any other way transferred or communicated to any other party without the express written consent of an authorized representative of Cole Hersee Company.

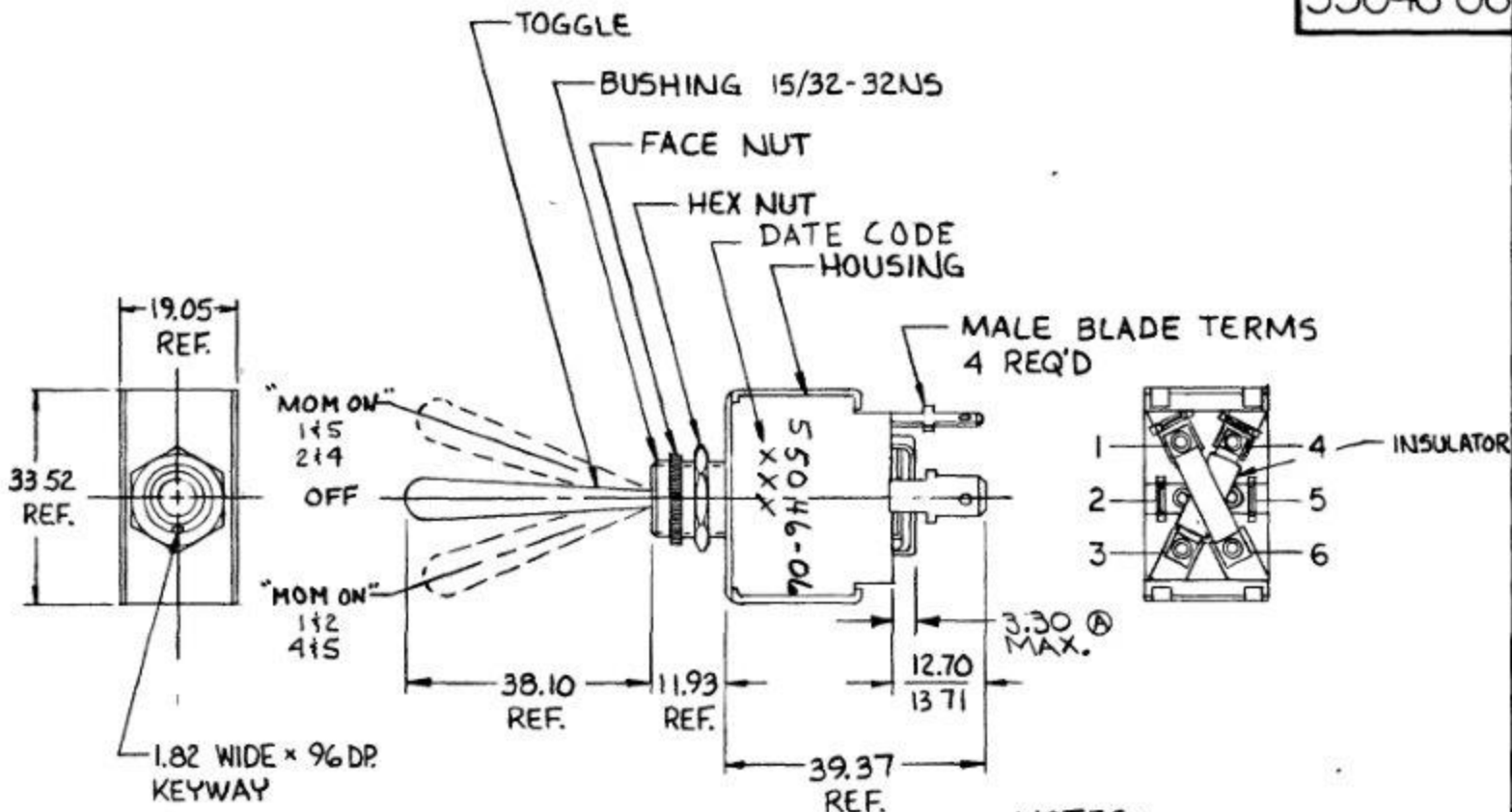
Special Characteristics:
 Critical Characteristic, relating to Safety and/or Regulatory Compliance
 Significant Characteristic relating to Process Control
 Control Dimension relating to Form - Fit - Function as defined by Cole Hersee Company and/or the Customer

Cole Hersee Co.
 20 Old Colony Ave., South Boston, MA, 02127
 Phn: 617-268-2100 Web: www.colehersee.com

Description: SWITCH, TOGGLE . DPDT
 M.ON-OFF-M.ON; FW-REV

55046-06

MM	IN
25	010
96	038
1.82	072
11.93	.470
12.70	500
13.71	540
19.05	.750
33.52	1.320
38.10	1.500
39.37	1.550
3.30	.130



NOTES:
 1. ALL STEEL PARTS PLATED.
 2. 25 AMPS @ 12 V.D.C.
 3. O-RING SEALED.

METRIC

DO NOT SCALE

LET	WAS	DATE	BY	LET	WAS	DATE	BY	MATERIAL	DRAWN	CHECKED	APPRV'D	SCALE	DATE DRAWN
								—	WB	RT		1:1	6-17-86
								FINISH	 Cole Hersee Co. <small>A 50 COLONY AVENUE SOUTH BOSTON MA 02127</small>				DATE BLUEPRINT
								—					
				A	ADD 3.30 MAX	23407	2-5-81	LZ	TOLERANCES DECIMAL ± METRIC ±.25				55046-06
					ISSUED		10/28/86	AF	REVERSING SW.				

EX 22277

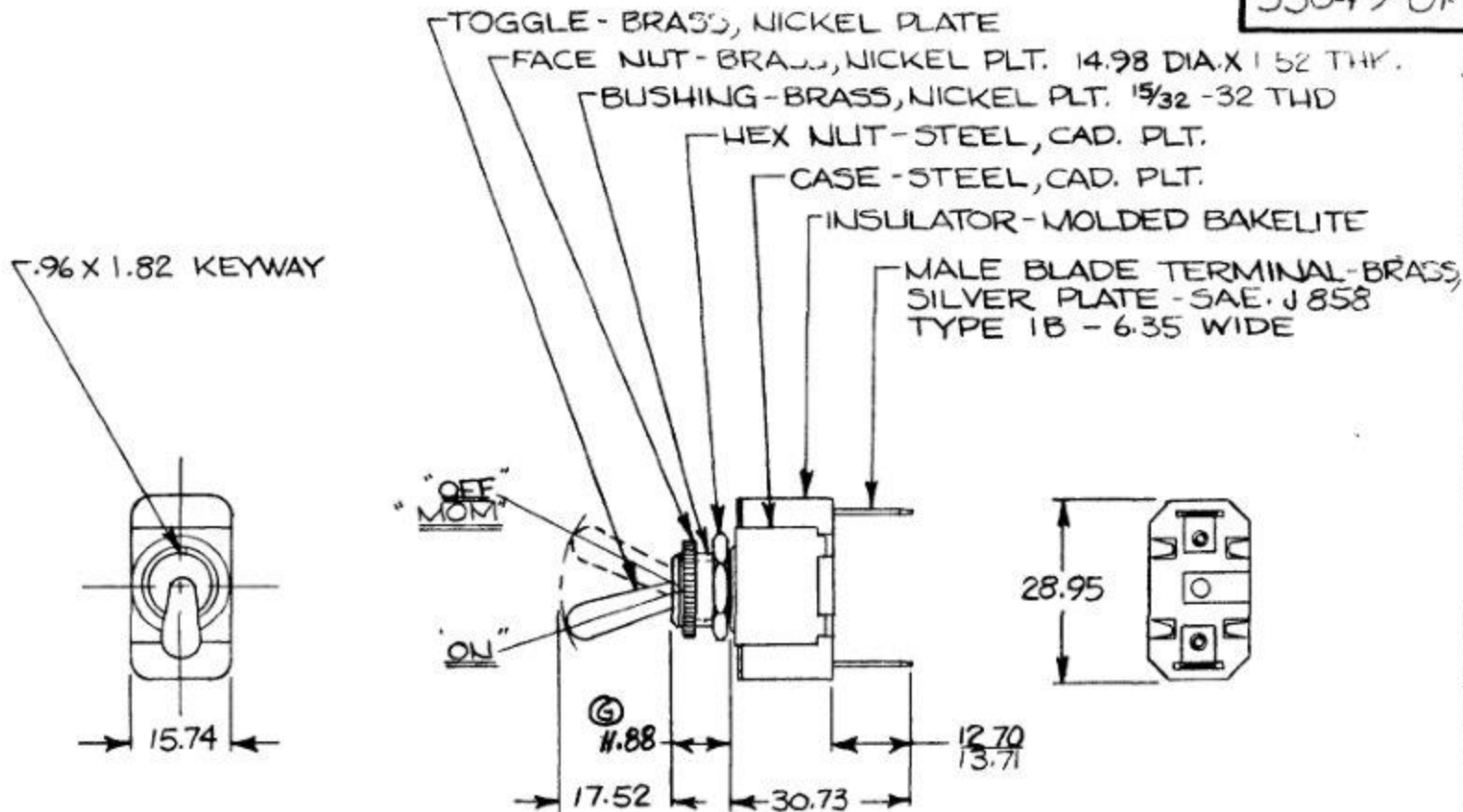
CH-188(4-78)

COLE-HERSEE CO.

MM	IN
.96	.038
1.52	.060
1.82	.072
2.54	.100
3.18	.125
3.81	.150
4.76	.188
5.71	.225
6.35	.250
7.62	.300
8.89	.350
10.16	.400
12.70	.500
15.74	.625
17.52	.690
20.32	.800
25.40	1.000
30.73	1.210

EX 14806

55049-01



NOTE:
 (H) SILVER CONTACT SURFACES

METRIC

25 AMPS - 12 VOLTS D.C.
EXTRA HEAVY DUTY

DO NOT SCALE

LET	WAS	DATE	BY	LET	WAS	DATE	BY	MATERIAL	DRAWN	CHECKED	APPR'D	SCALE	55049-01 WITH SHORTER TOGGLE	DATE DRAWN			
									MF.			1:1		6-2-67			
								FINISH	COLE-HERSEE COMPANY BOSTON, MASS. 02127, U.S.A. SINGLE POLE SINGLE THROW TOGGLE SWITCH				DATE BLUEPRINT				
				H		ADD NOTE/25932	9/15/92	TJH									
				G		ECW24871	8/5/94	WT									
				F		REL'DRAW.N	2-9-76	SV	TOLERANCES FRACTIONAL ± DECIMAL ± .005					55049-01			

COLE-HERSEE CO.

55052-01

TOGGLE - BRASS NICKEL PLT.

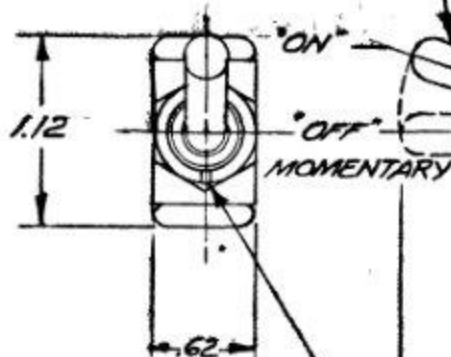
BUSHING - BRASS NICKEL PLT $\frac{15}{32}$ - 32 THD

FACE NUT - BRASS NICKEL PLT .59 D. X .06 THK.

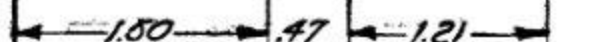
HEX NUT - STEEL - CAD PLT

INSULATOR - MOLDED B'LITE

2 MALE BLADE TERMINALS - BRASS
SAE J858 TYPE 1B - .25 WIDE



.012 X .038 DEEP KEYWAY



NOTES:
1 SINGLE POLE MOMENTARY
2 SILVER CONTACT SURFACES

(25A-12V)

DO NOT SCALE

LET	WAS	DATE	BY	LET	WAS	DATE	BY	MATERIAL	DRAWN	CHECKED	APPR'D	SCALE	55052 ASSEMBLY WITH LONGER TOGGLE. (E)	DATE DRAWN				
								NOTED	ECW			FULL		9-15-67				
								FINISH	COLE-HERSEE COMPANY BOSTON, MASS. 02127, U.S.A.					DATE BLUEPRINT				
							NOTED											
								TOLERANCES										
				F	ADD NOTE/25432	9/15/42	TJH	FRACTIONAL ±										
				E	ADDED 18033	3-16-73	Y	DECIMAL ±01										
				D	RE-DRAWN NO CHANGE	12-7-72	JB											
													TOGGLE SWITCH	55052-01				

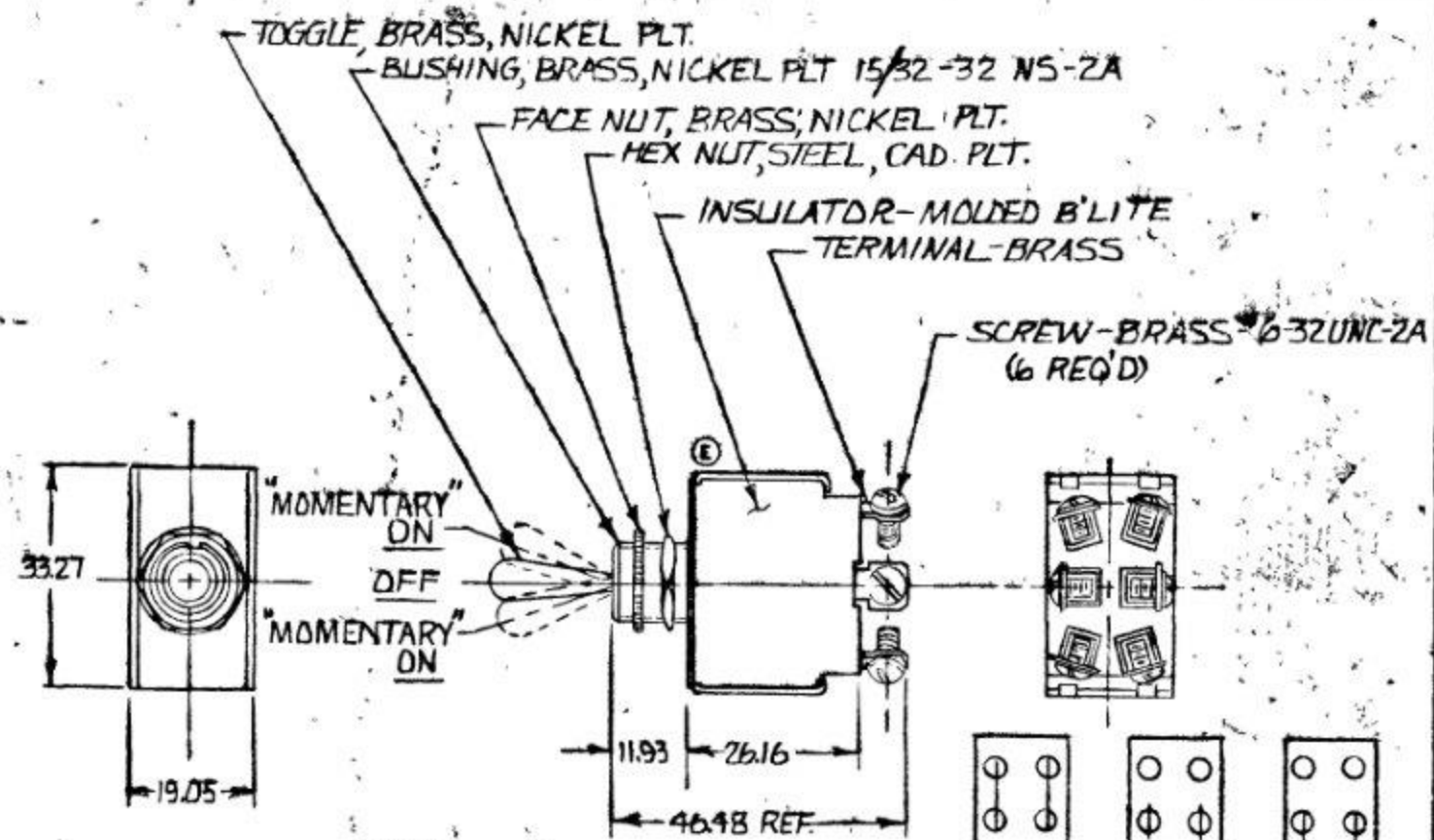
SPAULDING CO., INC 47570

55054

0.25	.010
0.50	.015
1.52	.060
11.93	.470
14.98	.590
19.05	.750
26.16	1.030
33.27	1.310
46.48	1.850

BLADE

COLE-HERSEE CO.



NOTE:
 25 AMP @ 12VDC
 (E) SILVER CONTACT SURFACES

METRIC

CIRCUIT DIAGRAM

DO NOT SCALE

LET	WAS	DATE	BY	LET	WAS	DATE	BY	MATERIAL	DRAWN	CHECKED	APPR'D	SCALE	DATE DRAWN
									HF	7		1-1	2-24-67
								FINISH	COLE-HERSEE COMPANY BOSTON, MASS. 02127, U.S.A. "MOMENTARY" D.P.D.T. TOGGLE SWITCH				DATE BLUEPRINT
				F	ADD NOTE/25432	7/15/93	TJH						DATE DRAWN
				E	VIEW/23007	3/14/86	WV						DATE BLUEPRINT
				D	ADD METRIC	7/11/77	WV	TOLERANCES FRACTIONAL ± DECIMAL .0025					55054

WPAULDING CO., INC. 21-5353

Confidential Property of Cole Hersee

55054-04

BUSHING-BRASS NICKEL PLT.
1/32-32 UN5-2A

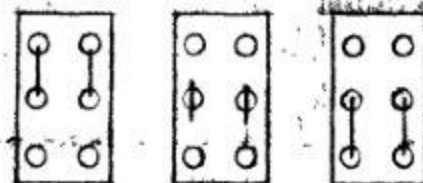
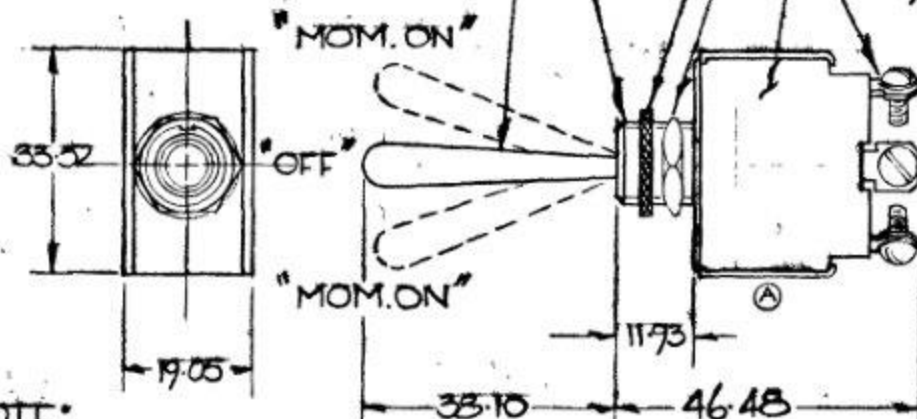
FACE NUT-BRASS-NICKEL PLT.

HEX NUT-STEEL

INSULATOR-MOLDED B'LITE

TERMINAL-BRASS &
SCREW-BRASS, 6-32 UN5-2A
X 6.35 LG.

TOGGLE-BRASS
NICKEL PLATE



MOM. ON OFF MOM. ON

CIRCUIT DIAGRAM:

NOTE:

ALL STEEL PARTS EITHER
ZINC PLT W/ DICHRIMATE DIP OR
CAD. PLT.

25 AMP @ 12 VDC

DO NOT SCALE

LET	WAS	DATE	BY	LET	WAS	DATE	BY	MATERIAL	DRAWN	CHECKED	APPR'D	SCALE	BASIC WITH LONG	DATE DRAWN
												FULL	TOGGLE & 1/4" SCREWS	2-23-77
								FINISH	COLE-HERSEE COMPANY BOSTON, MASS. 02127, U.S.A.					DATE BLUEPRINT
								TOLERANCES FRACTIONAL ± DECIMAL ±.25						MOMENTARY D.P.D.T. TOGGLE SWITCH.
				A		3/14/86	AK							
						5/3/11	VF							

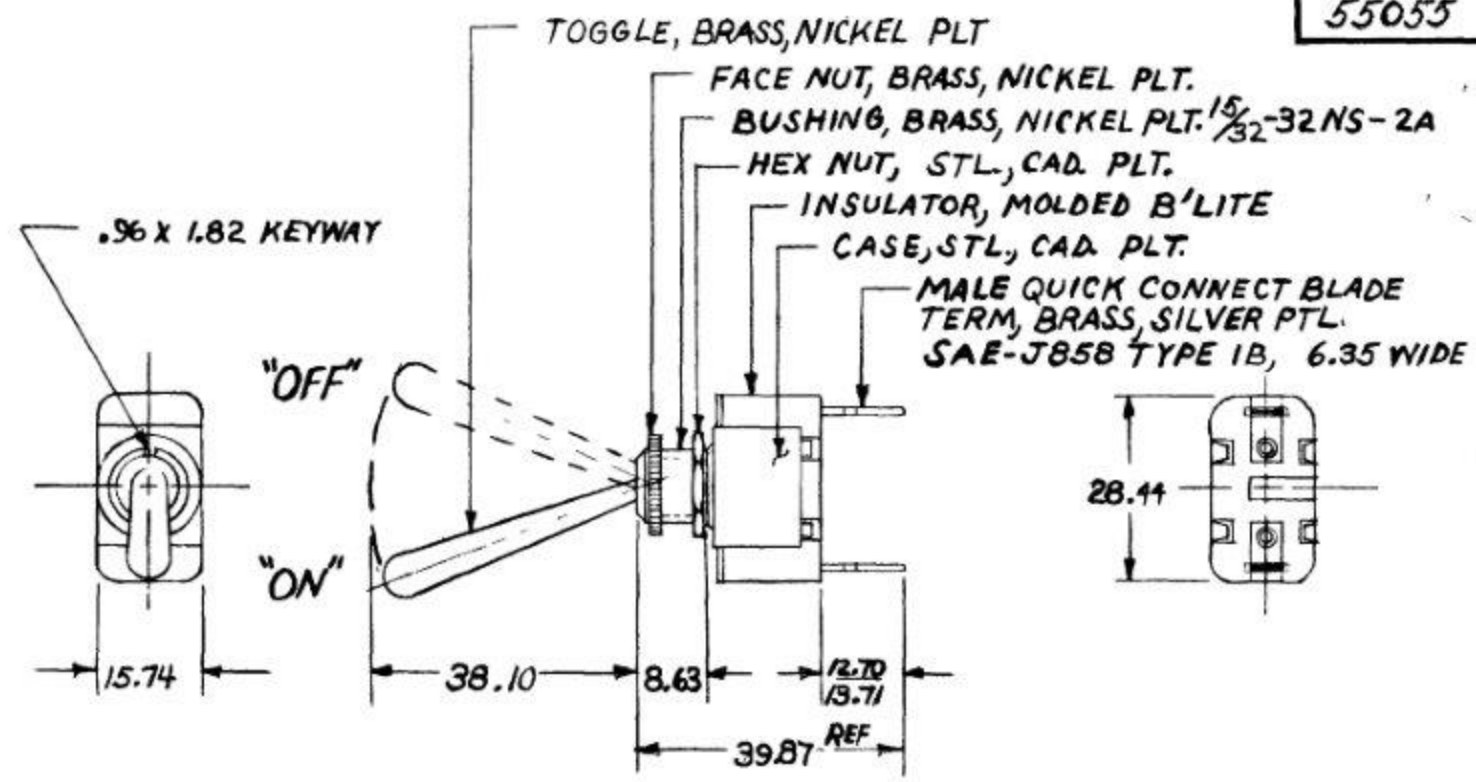
SPAULDING CO., INC 21-5353

COLE-HERSEE CO. 4-26-77
NPM

55054-04 NPM W/ LOLLAND @ 5/19/86

MM IN.
 18.63 .34
 13.10 .52
 38.10 1.50
 39.87 1.57
 28.44 1.12
 15.74 .62

55055



NOTE
 (F) SILVER CONTACT SURFACES

25 AMP, 12 VOLTS D.C.
 EXTRA HEAVY DUTY

METRIC

DO NOT SCALE

LET	WAS	DATE	BY	LET	WAS	DATE	BY	MATERIAL	DRAWN	CHECKED	APPRV D	SCALE	DATE DRAWN
									NB	3-4-80		1:1	5-15-67
								FINISH					DATE BLUEPRINT
				F	ADD NOTE/25432	8/15/93	T,N	TOLERANCES	Cole Hersee Co <small>NO. 01 0 1 0007 001 04 05 01</small>				
			E	REDRAWN	1-8-80	K6	DECIMAL ± METRIC ±	S.P.-S.T. TOGGLE SW.					55055

CH 188(4 78)

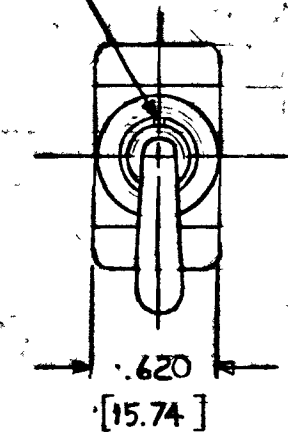
COLE-HERSEE CO.

N.P.M. 7-30-7
EX. 16942A

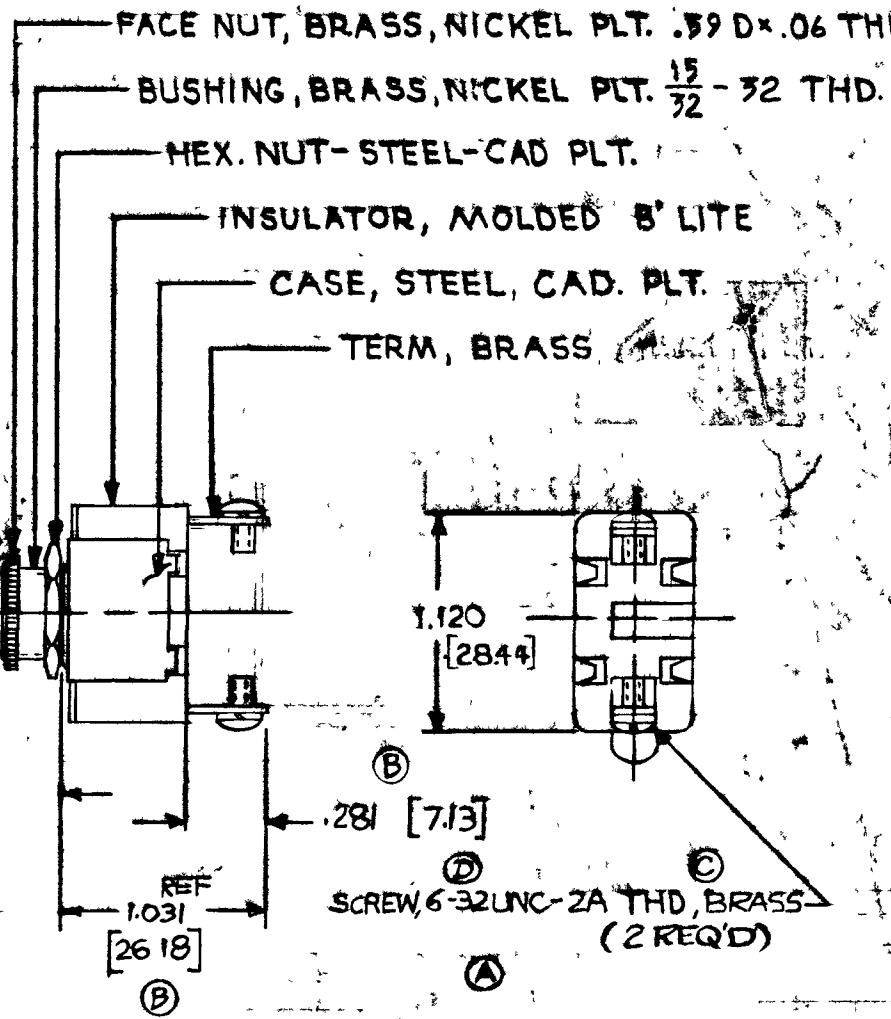
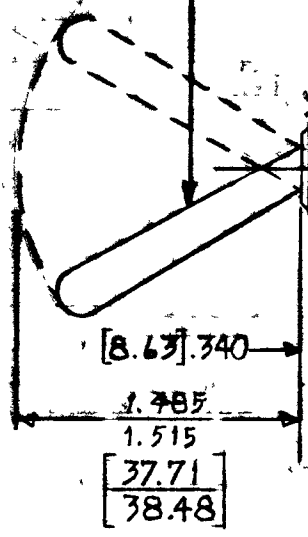
BLUE BIRD BODY CO. 150-0759902

NOTE: (E) SILVER CONTACT SURFACES

.038 x .072 KEYWAY
[0.95] [1.82]



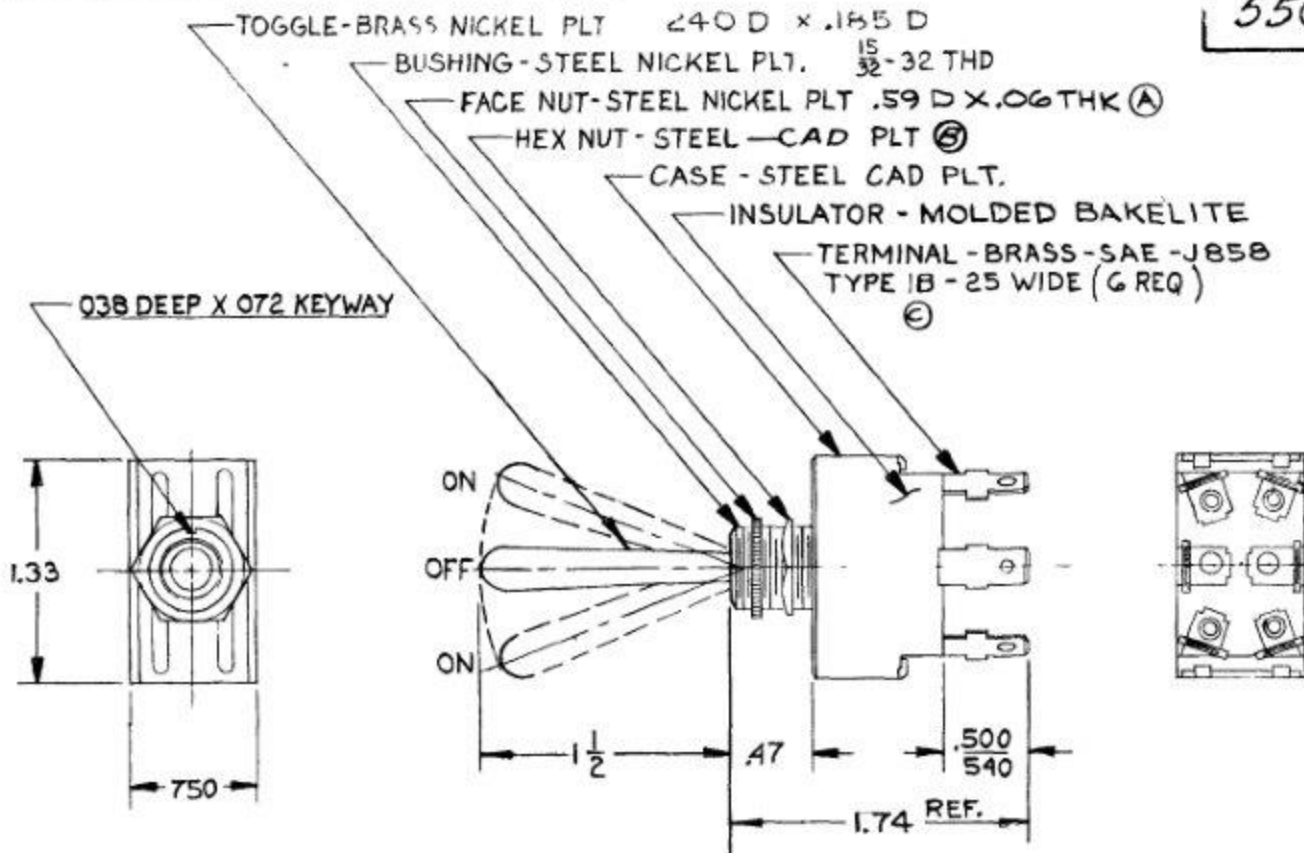
OFF
ON



25 AMPS-12 VOLTS D.C.
EXTRA HEAVY DUTY

DIMENSIONS IN INCHES [MILLIMETERS] DO NOT SCALE

LET	WAS	DATE	BY	LET	WAS	DATE	BY	MATERIAL	DRAWN	CHECKED	APPR'D	SCALE	BASIC EXCEPT	DATE DRAWN
				D	ECN 25002	12-11-91	AF	NOTED	DC	RM		1:1	W/SCREW TERMS	7-24-74
				C	REV/21349	3-23-81	CE	FINISH						DATE BLUEPRINT
				B	REV/20054	1-3-78	JAV							
				A	LWA OH DELETED/19393	4-9-76	Y	TOLERANCES						
E	ADD NOTE/25432	9/16/93	JH		ISSUED	8-1-74	Y	FRACTIONAL ±						
								DECIMAL ±.010					SP.-ST. TOGGLE SW.	55055-0

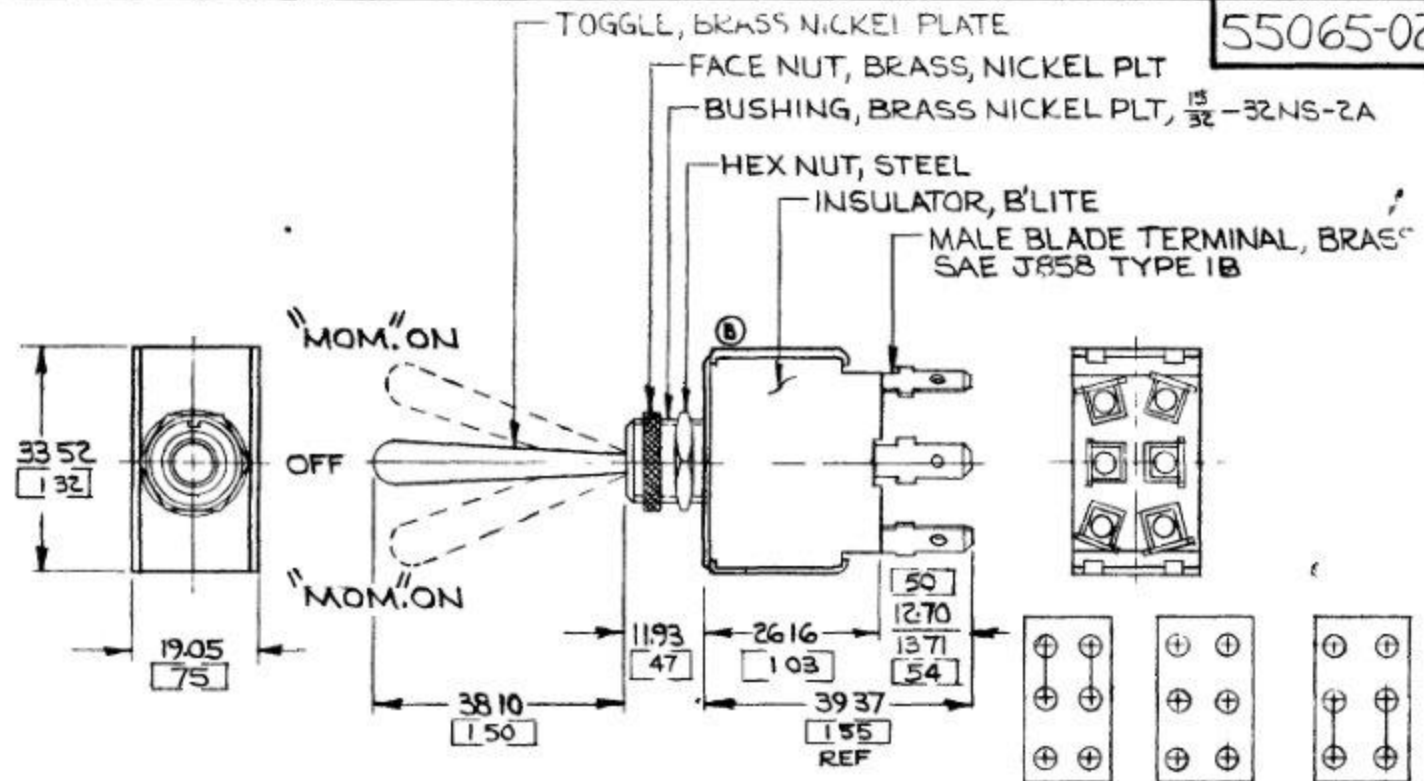


25 AMPS 12 VOLTS D.C.
EXTRA HEAVY DUTY

DO NOT SCALE

LET	WAR	DATE	BY	LET	WAR	DATE	BY	MATERIAL	DRAWN	CHECKED	APPRV'D	SCALE	USED ON	DATE DRAWN
								NOTED	NB.	JW		1X		5-15-67
				C	1A	16541	3-25-67	FINISH						DATE ISSUED
				B	NICKEL FLATE	16294	11-21-68		COLE-HERSEE COMPANY BOSTON 27, MASS. U S A					
				A	ADDFD DIM	16093	5-29-68	TOLERANCES FRACTIONAL ± 015 DECIMAL ± 010						NAME
					ISSUED		5 18 61							

55065-02



25 AMP @ 12 V.D.C

NOTES:
 1 ALL STEEL PARTS EITHER ZINC PLT,
 DICHROMATE DIP OR CAD PLT
 2 SILVER CONTACT SURFACES

DIMENSIONS · MILLIMETERS [INCHES]

DO NOT SCALE

LET	WAS	DATE	BY	LET	WAS	DATE	BY	MATERIAL	DRAWN	CHECKED	APPR'D	SCALE	DATE DRAWN
								—H—	E	12/10/75		1:1	2-21-74
				C	ADD NUTS/25432	7/15/93	TJH	FINISH	COLE-HERSEE COMPANY BOSTON, MASS 02127, U.S.A.				DATE BLUEPRINT
				B	REVISE /23007	3/14/86	AK	—H—					
					ISSUE D	12/10/75	TY	TOLERANCES	MOMENTARY DPDT TOGGLE SWITCH				55065-02
				A	REDRAWN	2-8-75	KG	FRACTIONAL ± DECIMAL ± 0.1					

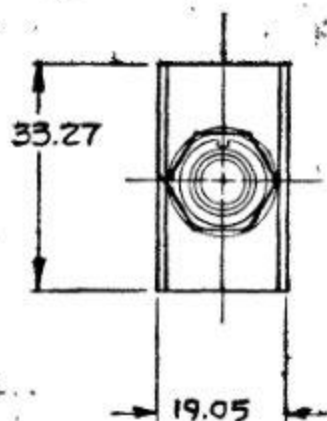
COLE-HERSEE CO.

EX 16621

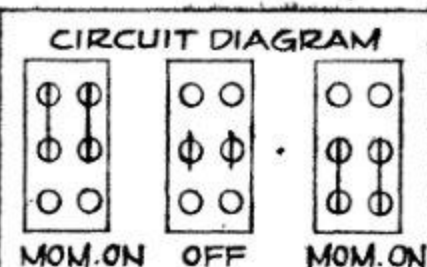
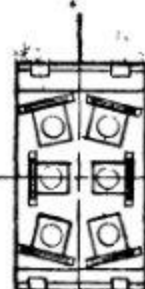
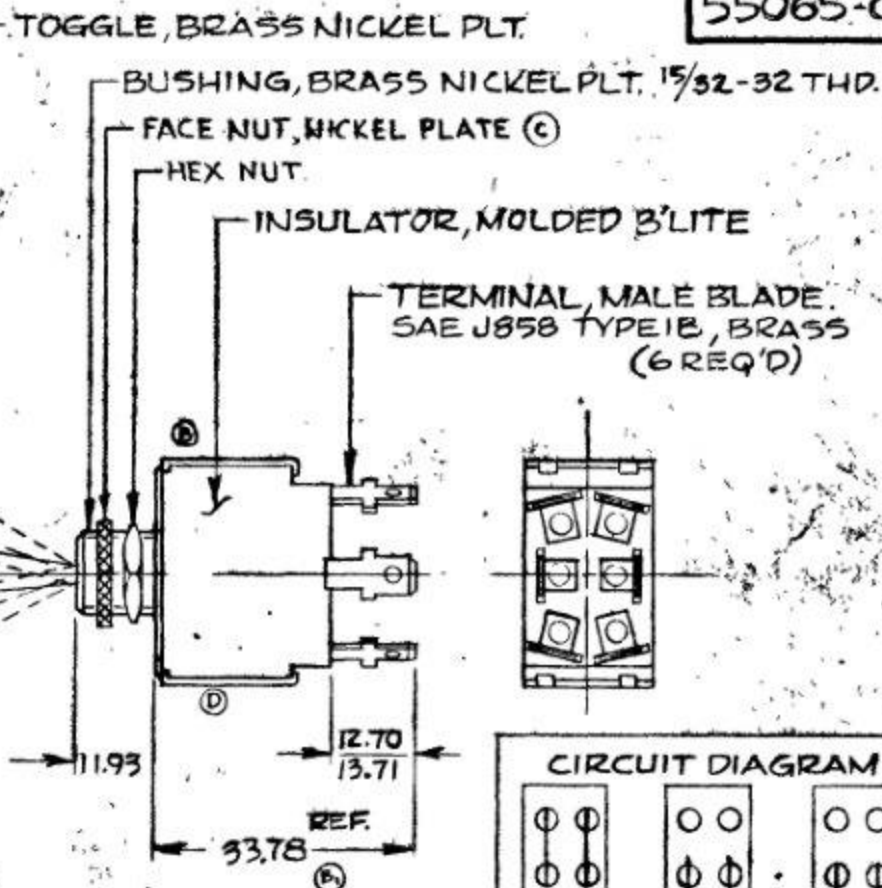
1.00	1.010
1.05	1.470
1.20	1.500
1.50	1.540
1.75	1.550
2.00	1.510
2.50	1.550

VOLTS	RESISTIVE	INDUCTIVE
12 VDC	25 AMPS	15 AMPS
24 VDC	15 AMPS	8 AMPS

55065-03



MOM. ON
OFF
MOM. ON



- NOTES:
- 1) NO. POLES-2
 - 2) NO. THROWS-2
 - 3) TYPE SEALING-NONE
 - 4) ALL STEEL PARTS PLATED
 - 5) SILVER CONTACT SURFACES

METRIC

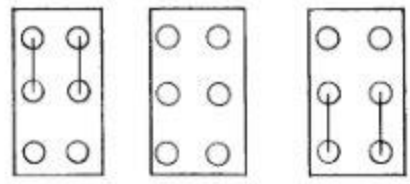
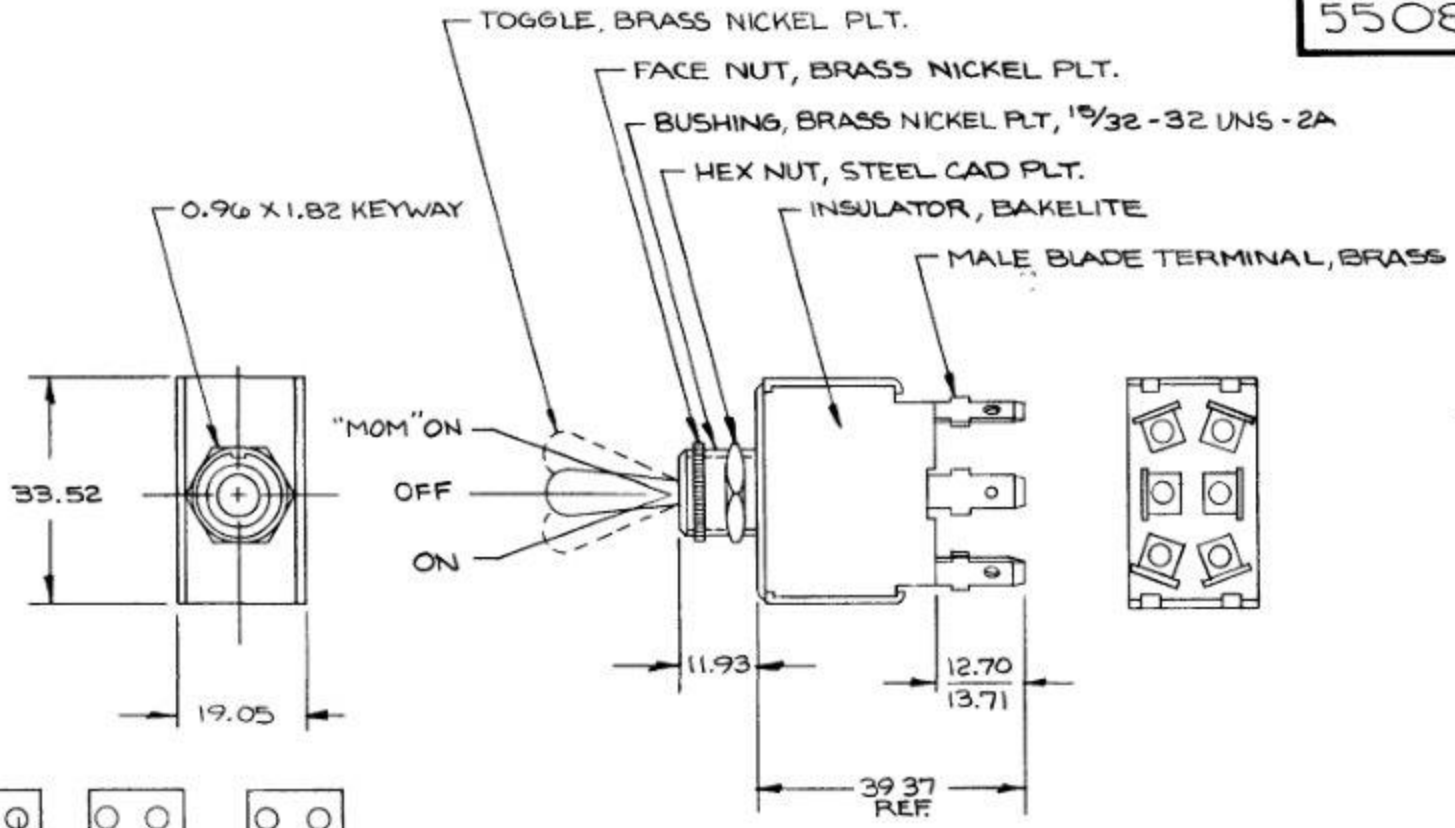
DO NOT SCALE

LET	WAS	DATE	BY	LET	WAS	DATE	BY	MATERIAL	DRAWN	CHECKED	APPR'D	SCALE	BASIC, WITH SHORT TOGGLE.	DATE DRAWN
				C	ADD FILE LIST 22957	1-24-76	RJF	#	RJF	1-18-76		1:1		8-27-76
				B1	WAS 3937REV			FINISH	COLE-HERSEE COMPANY BOSTON, MASS. 02127, U.S.A.				DATE BLUEPRINT	
				B	CHANGE CASE / 22791	6-17-76	W	#						
				E	ADD NUTS / 25432	4/18/73	SH	TOLERANCES FRACTIONAL * DECIMAL ±.25	MOMENTARY D.P.D.T. TOGGLE SWITCH				55065-03	
				D	REVISE VIEW / 23007	3/14/86	AK							
				A	RECDRAWN NO CHANGE	9-7-76	VG							

SPAULDING CO., INC. 21-56481

55081

"MM	IN
0.25	.010
0.96	.038
1.82	.072
11.93	.470
12.70	.500
13.71	.540
19.05	.750
33.52	1.320
39.37	1.55



"MOM" ON OFF ON
CIRCUIT DIAGRAM

25 AMP @ 12VDC METRIC

DO NOT SCALE

LET	WAS	DATE	BY	LET	WAS	DATE	BY	MATERIAL	DRAWN	CHECKED	APPR'D	SCALE	DATE DRAWN
								<i>[Signature]</i>	EA	<i>[Signature]</i>		1:1	3-28-78
								FINISH					DATE BLUEPRINT
								TOLERANCES	 MOMENTARY D.P.D.T. TOGGLE SWITCH				55081
							DECIMAL ±						
				B	REDRAWN	8/1/88	UK	METRIC ± .25					

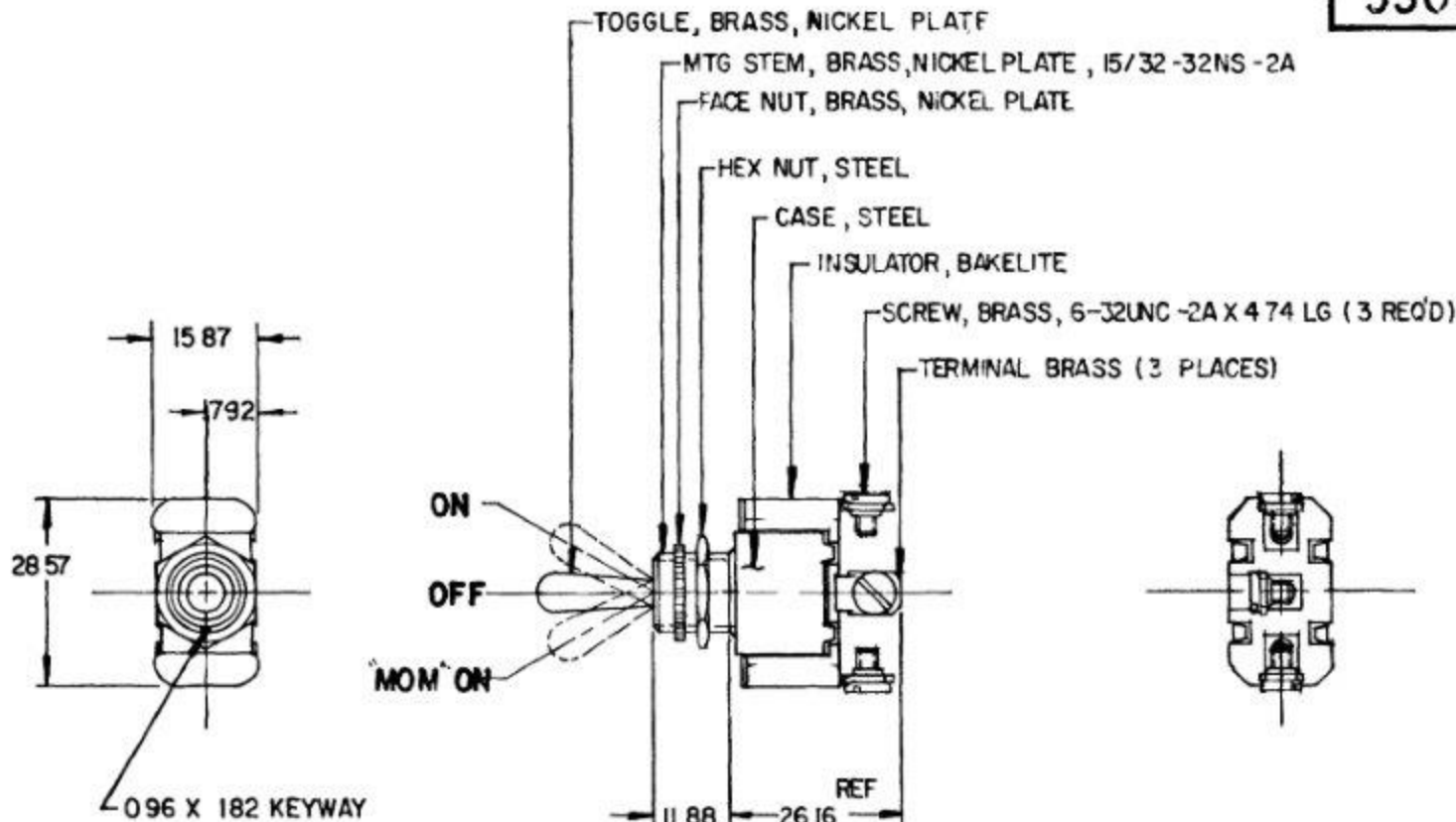
NPM EX-18163

CH-188(4-78)

MM	IN
0.25	.010
0.96	.038
1.82	.072
4.74	.187
7.92	.312
11.88	.468
15.87	.625
24.16	0.950
28.57	1.125

NPM 8-6-79
EX-18424

55088



NOTE :

- 1 ALL STEEL PARTS EITHER ZINC PLATE W/ DICHROMATE DIP OR CADMIUM PLATE
- ① 2 SILVER CONTACT SURFACES

DO NOT SCALE

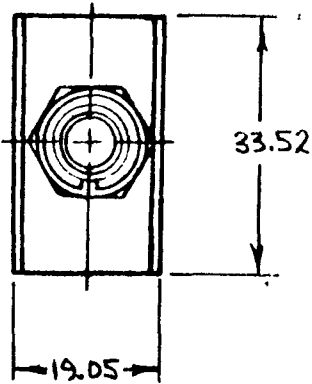
RATING	
24V	10 AMPS
12V	25 AMPS

METRIC

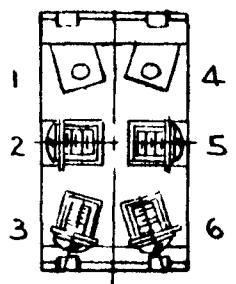
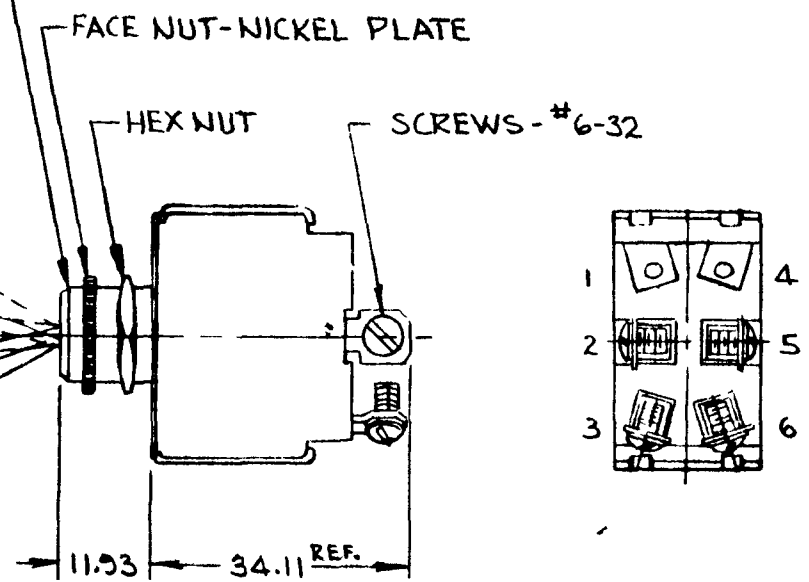
LET	WAS	DATE	BY	LET	WAS	DATE	BY	MATERIAL	DRAWN	CHECKED	APPRVD	SCALE	DATE DRAWN
								—	JAV	✓		1:1	7-20-79
								FINISH					7-20-79
								TOLERANCES	 Cole Hersee Co. <small>1150 COLONY AVENUE SOUTH BOSTON MA 02127</small>				DATE BLUEPRINT
								DECIMAL ±					SP - D.T. TOGGLE SWITCH
								METRIC ±0.25					

CH-188(4-78)

EX 23668



MOM. ON
293 596
ON
293
OFF



NOTES:
1. SILVER CONTACTS
2. 25 AMPS @ 12V DC LAMP LOAD
3. ALL STEEL PARTS PLATED

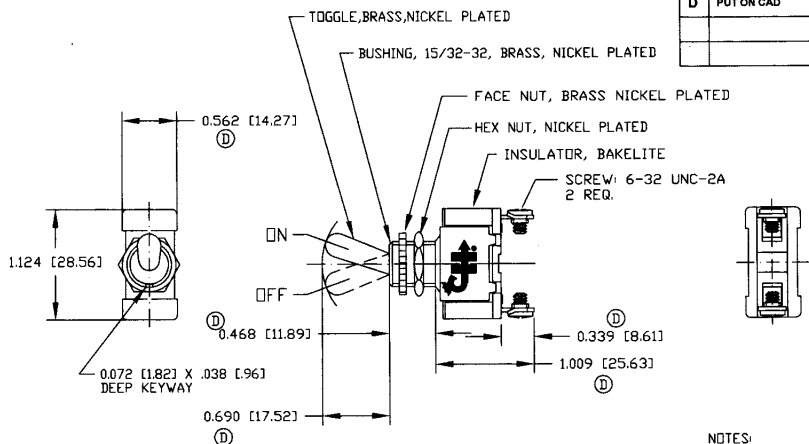
METRIC

DO NOT SCALE

LET	WAS	DATE	BY	LET	WAS	DATE	BY	MATERIAL	DRAWN	CHECKED	APPR'D	SCALE	DATE DRAWN
								—	RJF	AF		1:1	11-9-89
								FINISH	Cole Hersee Co. <small>20 OLD COLONY AVENUE SOUTH BOSTON MA 02127</small>				DATE BLUEPRINT
								TOLERANCES					
								DECIMAL ±	SWITCH, TOGGLE, 3 POS.				55094
								METRIC ±					
					ISSUED	1-24-90	AF						

Revision Control Record

Rev.	Description of Change	ECN No.	Date
D	PUT ON CAD	D5039	01/04/06



- NOTES:
1. HEAVY DUTY SILVER CONTACTS
 2. NEOPRENE O-RING IN BUSHING
 3. ALL STEEL PARTS ZINC PLATED
 4. SWITCH RATING: 12V/25A; 24V/15A

Tolerances: Unless otherwise specifically noted, the following are default tolerances:
 * 3-Place Decimal Dimensions $\pm .005$
 * 2-Place Decimal Dimensions $\pm .002$
 * Angular Dimensions ± 0.001
 * Holes: Refer to equivalent English Dimension Tolerance
 *** NOTE: All tolerances are Non-Cumulative. ***

Dimensional Units: All dimensions are expressed in inches except those shown in brackets (XX) are expressed in millimeters

2-DEG. OR 4-DEG. DIMS = Non-Toleranced Reference Dimension. Shown for identification purposes only.

Used On: of Ref:

PROPRIETARY INFORMATION: This Engineering Drawing, and the information contained herein, is proprietary to Cole Hersee Company and may not be disclosed, reproduced, or in any other way transmitted or communicated to any other party without the express written consent of a authorized representative of Cole Hersee Company.

DESIGN CONTROL: It is the responsibility of the individual using / reviewing this drawing to ensure that the stated design intention herein agrees with the revision level of the Controlled Document (Master Drawing). This is a NON-CONTROLLED DOCUMENT unless otherwise specifically noted.

DO NOT SCALE: Dimensional variation may occur during printing / reproduction.

Drawn By: EA
 Date Drawn: 2/27/87

Special Characteristics:

- ⊠ Critical Characteristics, relating to Safety and/or Regulatory Compliance
- ⓧ Significant Characteristics (relating to Process Control (SPC))
- Ⓞ Key Characteristics (relating to Form - Fit - Function as defined by Cole Hersee Company and/or the Customer)

Herein the identification of any Characteristics as being "Special" does not alter the requirement that ALL specified dimensions & tolerances must be met.

Responsible Engineer: GAUGUSTE Pg. 1 of 1

Cole Hersee Co.
 20 Old Colony Ave., South Boston, MA, 02127
 Phone 617-388-2100 Web: www.colehersee.com

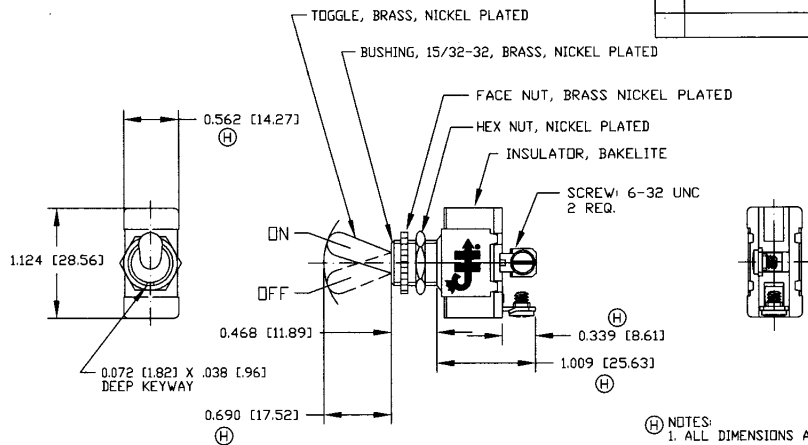
SWITCH, TOGGLE . SPST

Drawing / Part No.: **5520**

Customer Rev.: **D**

Revision Control Record

Rev.	Description of Change	ECN No.	Date
H	PUT ON CAD	D5083	D1/04/05



- (H) NOTES:
 1. ALL DIMENSIONS ARE REFERENCE
 2. ALL STEEL PARTS ARE ZINC PLATED
 3. SILVER CONTACT SURFACES.
 4. SWITCH RATING: 25A/12V; 15A/24V

Tolerances: Unless otherwise specifically noted, the following are default tolerances:
 * 2-place Decimal Dimensions $\pm .02$ "
 * 3-place Decimal Dimensions $\pm .005$ "
 * Angular Dimensions ± 1.0 Deg.
 * Metric: Refer to equivalent English Dimension Tolerance
 * * * NOTE: All tolerances are Non-Cumulative, <<<

Dimensional Note: All dimensions are expressed in inches except those shown in brackets () are expressed in millimeters

REF. to an Attribute, CL = Non-Toleranced Reference Dimension, shown for clarification purposes only.

PROPERTY OF COLE HORSEE CO. This Engineering Drawing, and the information contained herein, is proprietary to Cole Horsee Company and may not be disclosed, reproduced, or in any other way transferred or communicated to any other party without the express written consent of an authorized representative of Cole Horsee Company.

DESIGN CONTROL: It is the responsibility of the individual using / referencing this drawing to ensure that the noted design revision level agrees with the revision level of the Controlled Document (Master Drawing). This is a NON-CONTROLLED DOCUMENT unless otherwise specifically noted.

DO NOT SCALE: Dimensional variation may occur during printing / reproduction.

Special Characteristics:
 (C) Critical Characteristics, relating to Safety and/or Regulatory Compliance
 (X) Significant Characteristics relating to Process Control (SPC)
 (K) Key Characteristics, relating to Form - Fit - Function as defined by Cole Horsee Company and/or the Customer

(Note that the identification of any Characteristics as being "Special" does not alter the requirement that ALL specified dimensions & tolerances must be met.)

Responsible Engineer: GAUGLUSTE Pg. 1 of 1

Cole Horsee Co.
 20 Old Colony Ave., South Boston, MA, 02127
 Phn: 617-362-2100 Web: www.colehorsee.com

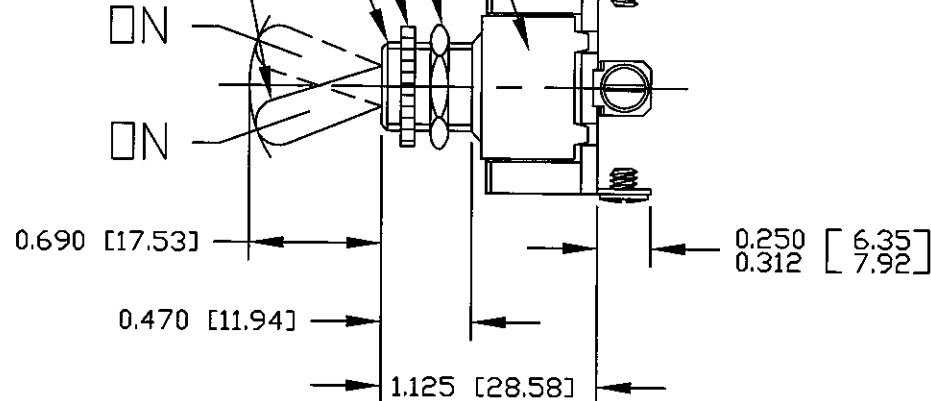
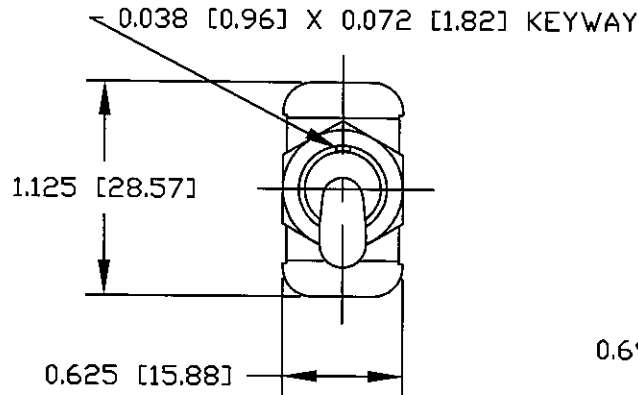
Description:
 SWITCH, TOGGLE . SPST OFF-ON

Drawing / Part No.: 5582 **Current Rev.:** H

Revision Control Record

Rev.	Description of Change	ECN No.	Date
H	NOTE CHANGE	09002	01/14/08

- SCREW, 6-32UNC-2A THD, BRASS (3 REQ'D)
- INSULATOR, BAKELITE
- CASE, STEEL
- HEX NUT, STEEL
- FACE NUT, BRASS, NICKEL PLT.
- Ⓜ BUSHING, 15/32-32 UNS-2A THD, BRASS, NICKEL PLT.
- TOGGLE, BRASS, NICKEL PLT



- Ⓜ NOTES:
1. ALL STEEL PARTS PLATED
 2. SILVER CONTACT SURFACES
 3. ALL DIMENSIONS REFERENCE ONLY EXCEPT OTHERWISE NOTED
 4. 25AMP @ 12VDC

Tolerances Unless otherwise specifically noted, the following are default tolerances:

2-places +/- 0.02"
3-places +/- 0.005"
Angular +/- 1'

Metric: Shown in [] refers to equivalent English Dim Tol

"REF." or an Asterisk (*) = Non-Toleranced Reference Dimension, shown for clarification purposes only.

NOTE: All tolerances are Non-Cumulative.

PROPRIETARY INFORMATION
 This Engineering Drawing, and the information contained herein, is proprietary to Cole Hersee Company and may not be disclosed, re-produced, or in any other way transferred or communicated to any other party without the express written consent of an authorized representative of Cole Hersee Company.

Special Characteristics:

- Critical Characteristic, relating to Safety and/or Regulatory Compliance
- Significant Characteristic relating to Process Control
- Control Dimension relating to Form - Fit - Function as defined by Cole Hersee Company and/or the Customer



Cole Hersee Co.

20 Old Colony Ave., South Boston, MA, 02127
 Phn: 617-268-2100 Web: www.colehersee.com

Description:

SPDT TOGGLE SW

Drawing / Part No.:

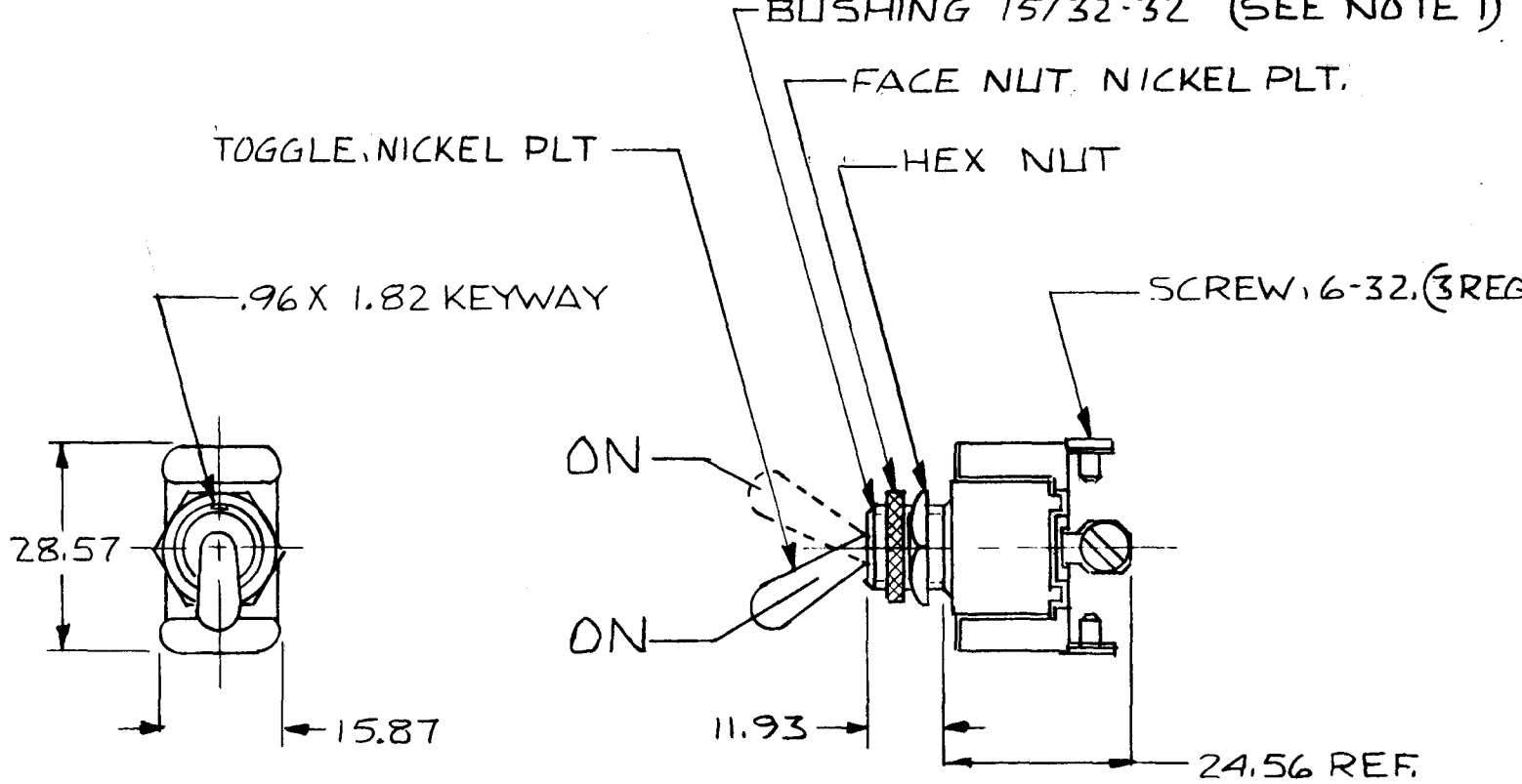
5584

Current Rev.

H

.96 .038
1.82 .072


EX20268



NOTES
1. O-RING SEAL AT BUSHING
2. ALL STEEL PARTS PLATED

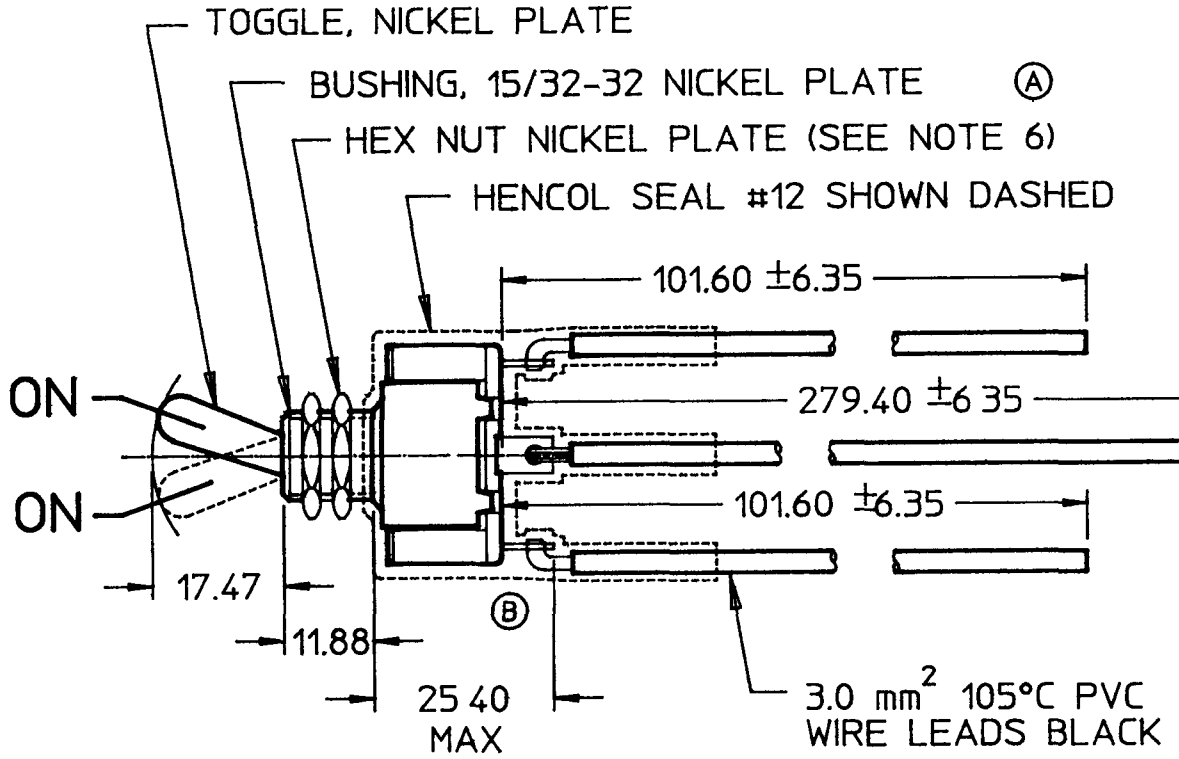
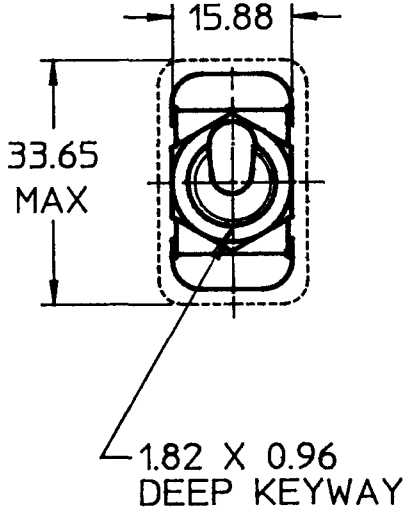
METRIC 25 AMPS @ 12 VDC

DO NOT SCALE

LET.	WAS	DATE	BY	LET	WAS	DATE	BY	MATERIAL	DRAWN	CHECKED	APPR'D.	SCALE	DATE DRAWN
									PS	RFB		1:1	6-17-8
								FINISH	 <small>26 OLD COLONY AVENUE, SOUTH BOSTON, MA. U.S.A. 02127</small>				DATE BLUEPRINT
								TOLERANCES DECIMAL ± METRIC ±					S.P.D.T. TOGGLE SW
					ISSUED	6/17/83	RFB						

CH-188(4-78)

0.25	0.010
0.96	0.032
1.82	0.072
6.35	0.250
11.88	0.468
15.88	0.625
17.47	0.688
25.40	1.000
33.65	1.325
101.60	4.000
279.40	11.000
3.0 mm ²	12 GA

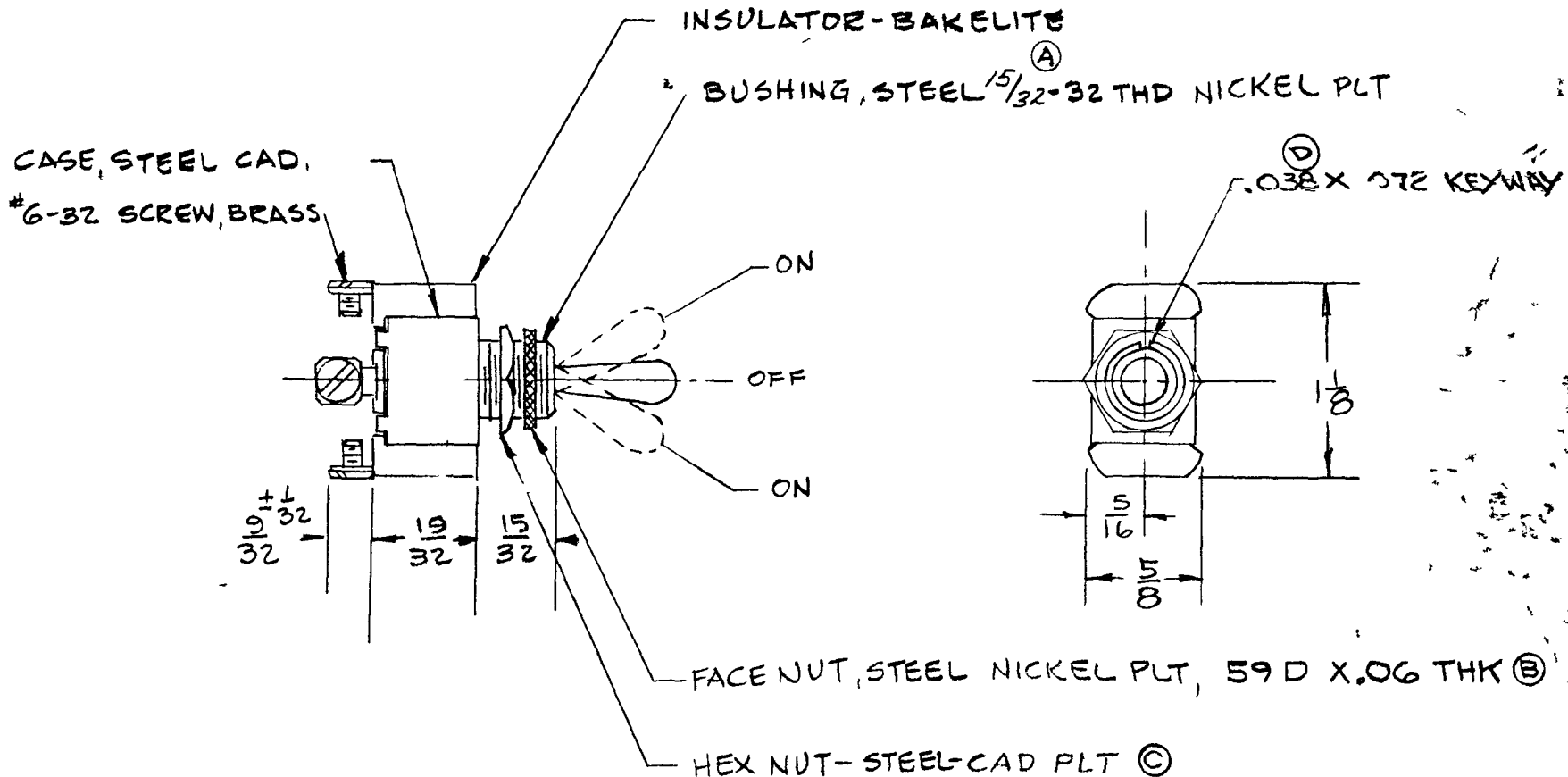


- NOTES:
1. SILVER CONTACTS
 2. 25 AMPS @ 12VDC LAMP LOAD
35 AMPS @ 12VDC INDUCTIVE LOAD
 3. O-RING SEAL IN BUSHING
 4. ALL STEEL PARTS PLATED
 5. ALL DIMENSIONS REFERENCE
 6. 1 HEX NUT ASSEMBLED
1 HEX NUT SHIPPED LOOSE

METRIC

DO NOT S

LET	WAS	DATE	BY	LET	WAS	DATE	BY	MATERIAL	DRAWN	CHK	APVD	SCALE	EX25260	DATE DRAWN
									BL			1:1		4/13/93
				B	ECN #25389	6/15/93	MJT	FINISH	Cole Hersee Co. 20 OLD COLONY AVENUE, BOSTON, MA, U.S.A. 02127					DATE BLUEPRINT
				A	ECN 25385	6/9/93	BL	TOLERANCES METRIC ± 0.25 ANGLE ±						SWITCH, TOGGLE SPDT
					ISSUED	4/22/93	AF							

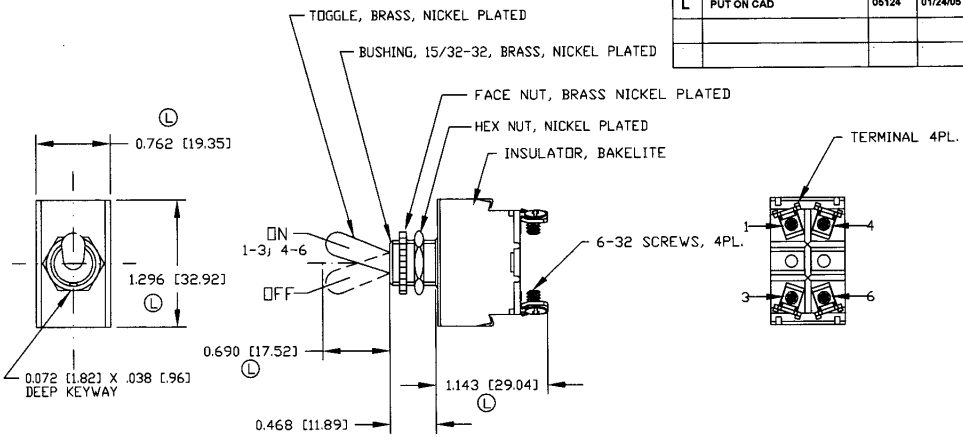


^(C) NOTE
 SILVER CONTACT SURFACES

LET	WAS	DATE	BY	LET	WAS	DATE	BY	MATERIAL	DRAWN	CHECKED	A P R V D	SCALE	USED ON	DATE DRAWN
				E	ADD NUT	25432	9/15/93	JL		GFC		1"=1"		2-3-54
				D	03X 06 KEYWAY	17537	1-4-72							DATE ISSUED
				C	NICKEL PLT	16294	11-22-68							
				B	ADDED DIM	16093	5-29-68							
				A	7/16-32		10-29-57							
TOLERANCES FRACTIONAL \pm DECIMAL \pm									NAME SINGLE POLE, DOUBLE THROW TOGGLE SWITCH					PART NO 5586
COLE-HERSEE COMPANY BOSTON 27 MASS U S A														

Revision Control Record

Rev.	Description of Change	ECN No.	Date
L	PUT ON CAD	06124	01/24/05



- Ⓛ NOTES:
 1. ALL DIMENSIONS ARE REFERENCE
 2. ALL STEEL PARTS ZINC PLATED
 3. SILVER CONTACT SURFACES
 4. SWITCH RATING: 12V/25A; 24V/15A

Tolerances: Unless otherwise specifically noted, the following are default tolerances:
 * 2-place Decimal Dimensions ±.02"
 * 3-place Decimal Dimensions ±.005"
 * Angular Dimensions ±.12 Deg.
 * Metric: Refer to equivalent English Dimension Tolerance
 >>> NOTE: All tolerances are Non-Cumulative <<<

Dimensional Units: All dimensions are expressed in inches except those shown in brackets [mm] are expressed in millimeters

REF. or an Attach. C. = Non-Toleranced Reference Dimension, shown for identification purposes only.

Used On:
 or Ref.:

PROPERTY OF ORIGIN: This Engineering Drawing, and the information contained herein, is proprietary to Cole Hersee Company and may not be disclosed, reproduced, or in any other way transmitted or communicated to any other party without the express written consent of an authorized representative of Cole Hersee Company.

DESIGN CONTROL: It is the responsibility of the individual using/ referring this drawing to ensure that the noted design revision level agrees with the revision level of the Controlled Document (Master Drawing). This is a NON-CONTROLLED DOCUMENT unless otherwise specifically noted.

DO NOT SCALE: Dimensional relations may occur during printing/ reproduction.

Special Characteristics:

⊠ Critical Characteristics, relating to Safety and/or Regulatory Compliance

ⓧ Significant Characteristics relating to Process Control (SPC)

Ⓞ Key Characteristics relating to Form - Fit - Function as defined by Cole Hersee Company and/or the Customer

(Note that the identification of any Characteristics as being "Special" does not alter the requirement that ALL specified dimensions & tolerances must be met.)

Responsible Engineer: G.AUGUSTE

Cole Hersee Co.
 20 Old Colony Ave., South Boston, MA, 02127
 Phn: 617-288-2100 Web: www.colehersee.com

Description:
 SWITCH, TOGGLE . DPST ON-OFF

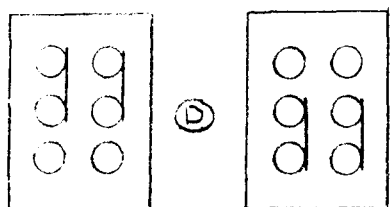
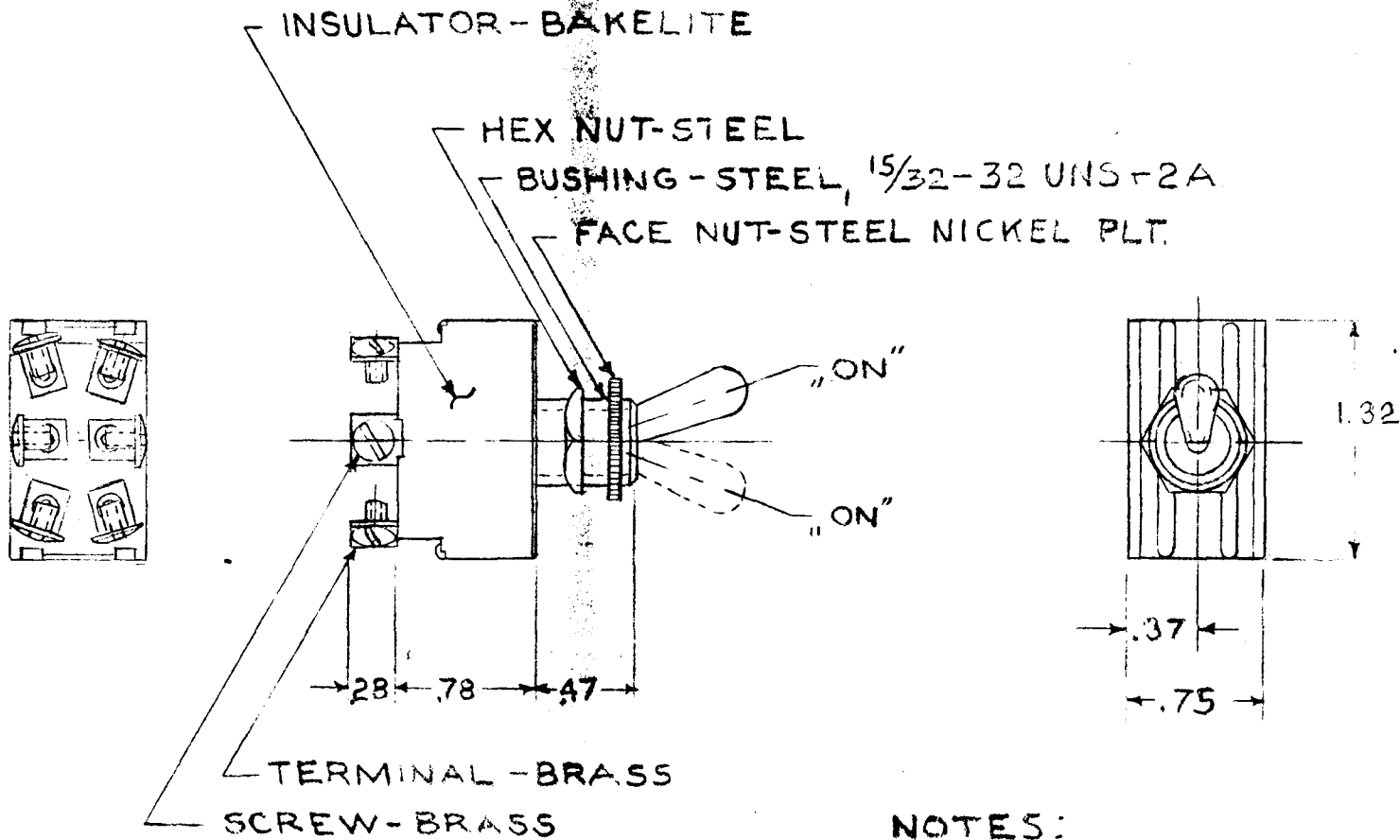
Drawing / Part No.:
 5588

Current Rev.:
 L

Drawn By: JP
 Date: 12/31/87

Page 1 of 1

COLE-HERSEE CO.



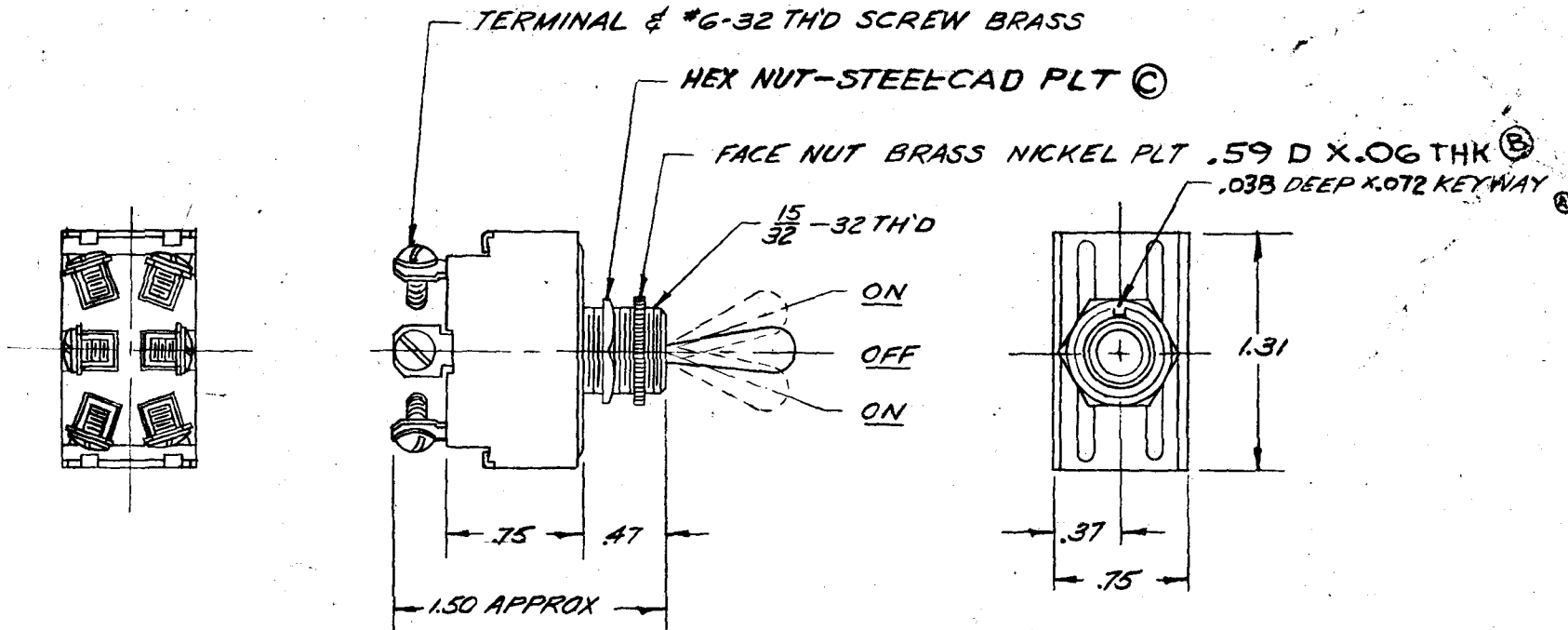
SCHEMATIC

- NOTES:**
1. DOUBLE POLE - DOUBLE THROW
2 POSITIONS - BOTH "ON" - 6 SCREW TYPE TERMINALS.
 2. ALL STEEL PARTS PLATED
 - ③ 3 SILVER CONTACT SURFACES.

DO NOT SCALE

LET	WAS	DATE	BY	LET	WAS	DATE	BY	MATERIAL	DRAWN	CHECKED	APPR'D.	SCALE	DATE DRAWN
								—	EHD			1=1	6-18-59
								FINISH	COLE-HERSEE COMPANY				DATE BLUEPRINT
								—	BOSTON, MASS. 02127, U.S.A.				
				E	ADD NOTE/25932	9/15/53	TJH	TOLERANCES	TOGGLE SWITCH ASS'Y				5590
				D	ADDED DIAGRAM	9/20/53	KA	FRACTIONAL $\pm .015$					
				C	REDRAWN NO CHANGE	5.13.70	JB	DECIMAL $\pm .010$					

COLE-HERSEE CO.



NOTE:

© SILVER CONTACT SURFACES

LET	WAS	DATE	BY	LET	WAS	DATE	BY	MATERIAL	DRAWN	CHECKED	APPR'D	SCALE	USED ON	DATE DRAWN
								—	JP			1/1		10-23-58
				D	ADD NOTE/25432	9/15/93	JH	FINISH	COLE-HERSEE COMPANY BOSTON 27, MASS., U. S. A.					DATE ISSUED
				C	BRASS NICKEL 16294	11-25-68	INB							
				B	ADDED DIM 16093	5-29-68	JH	TOLERANCES	NAME D.P.D.T. "ON-OFF-ON" TOGGLE SWITCH					PART NO.
				A	.03 x .06 KEYWAY 13832	1-17-64	B	FRACTIONAL ±.015 DECIMAL ±.010						

X-ON Electronics

Largest Supplier of Electrical and Electronic Components

Click to view similar products for [Toggle Switches](#) category:

Click to view products by [Littelfuse](#) manufacturer:

Other Similar products are found below :

[8928K478](#) [020017-13](#) [60012L](#) [6006L](#) [CS115W](#) [CS120W](#) [637H/25](#) [6663](#) [7101SPDV30BE](#) [7103SDV30BE](#) [7105D](#) [7108P3YAV2BE](#)
[71YY50282](#) [7300K36](#) [7301K38](#) [7306K36](#) [7310K36](#) [7506K4](#) [7592K6](#) [7660K12](#) [7691K14](#) [7700K1](#) [8391K108](#) [8396K108](#) [8824K14](#)
[8828K13](#) [8835K3](#) [8858K44](#) [PS83-121G](#) [1-1825192-0](#) [A201SCWZB04](#) [A207SYCB04](#) [A208J61ZQ0004](#) [A221T1TCQ](#) [A232M1YCQ](#)
[A323S1CWZQ](#) [A423S1CWZG-M8](#) [1201W](#) [12156AX408](#) [12147AGKX679](#) [12246X778](#) [12TW49-3D](#) [130312](#) [13037L](#) [13001X](#)
[AE101MD1W4B04](#) [AE208SD1W4B04](#) [MS24659-22D](#) [MS27407-5](#) [1520230-9](#)