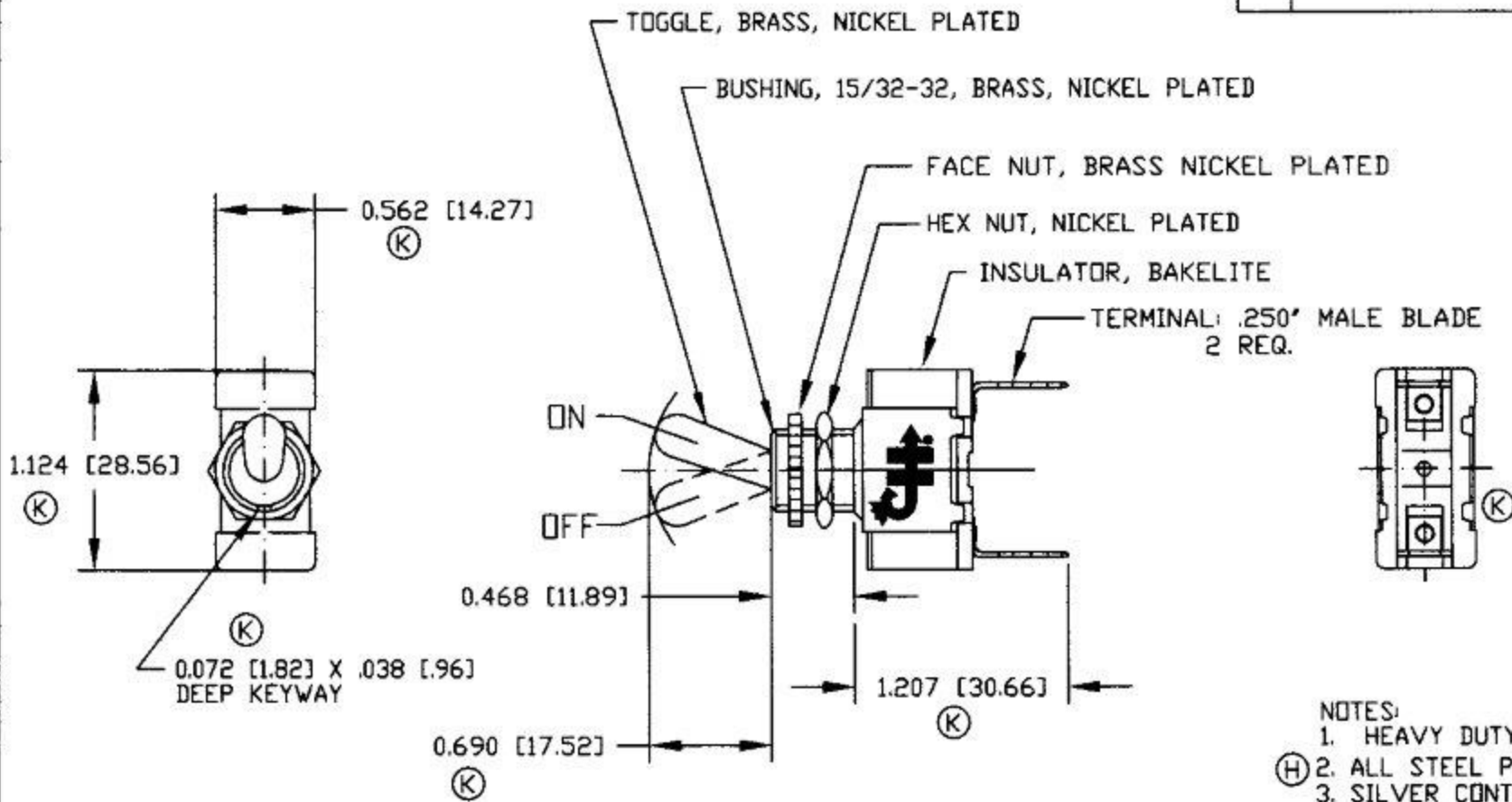


Revision Control Record

Rev.	Description of Change	ECN No.	Date
K	PUT ON CAD	05124	01/20/05



- NOTES:
1. HEAVY DUTY CONTACTS
 2. ALL STEEL PARTS ZINC PLATED (H)
 3. SILVER CONTACT SURFACES
 4. 25 A @ 12V / 15 A @ 24V

Tolerances: Unless otherwise specifically noted, the following are default tolerances:
 * 2-place Decimal Dimensions $\pm .02"$
 * 3-place Decimal Dimensions $\pm .005"$
 * Angular Dimensions ± 1.0 Deg.
 * Metric: Refer to equivalent English Dimension Tolerance
 >>> NOTE: All tolerances are Non-Cumulative. <<<

Dimensional Units: All dimensions are expressed in inches except those shown in brackets (xxx) are expressed in millimeters

REF. or an Asterisk (*) = Non-Toleranced Reference Dimension, shown for clarification purposes only.

PROPRIETARY INFORMATION: This Engineering Drawing, and the information contained herein, is proprietary to Cole Hersee Company and may not be disclosed, re-produced, or in any other way transferred or communicated to any other party without the express written consent of an authorized representative of Cole Hersee Company.

DESIGN CONTROL: It is the responsibility of the individual using / referencing this drawing to assure that the noted design revision level agrees with the revision level of the Controlled Document (Master Drawing). This is a NON-CONTROLLED DOCUMENT unless otherwise specifically noted.

DO NOT SCALE - Dimensional variation may occur during printing / reproduction.

Special Characteristics:

- (SC) Critical Characteristic, relating to Safety and/or Regulatory Compliance
- (X) Significant Characteristic relating to Process Control (SPC)
- (KC) Key Characteristic relating to Form - Fit - Function as defined by Cole Hersee Company and/or the Customer

(Note that the identification of any Characteristics as being "Special" does not alter the requirement that ALL specified dimensions & tolerances must be met.)

Cole Hersee Co.
 20 Old Colony Ave., South Boston, MA, 02127
 Phn: 617-268-2100 Web: www.colehersee.com

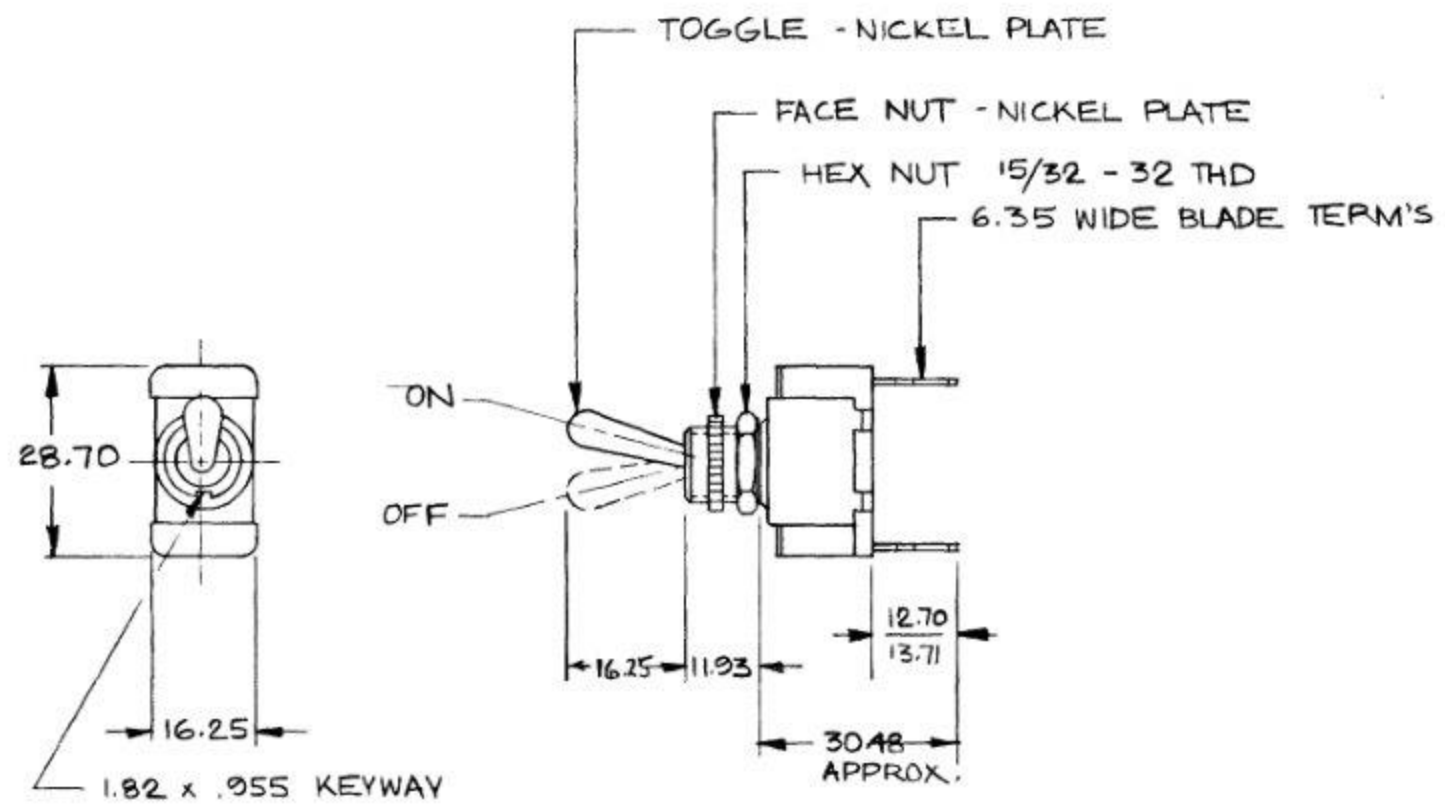
Description: SWITCH, TOGGLE . SPST ON-OFF

Drawing / Part No.: 55014

Current Rev.: K

MN	IN
.955	.038
1.82	.072
6.35	.25
11.93	.47
12.70	.50
13.71	.54
16.25	.64
28.70	1.13
30.48	1.20

55014-05



METRIC

25AMP-12V DC

NOTES:

- 1 NEOPRENE O-RING SEAL IN BUSHING
- 2 SILVER CONTACT SURFACES

DO NOT SCALE

LET	WAS	DATE	BY	LET	WAS	DATE	BY	MATERIAL	DRAWN	CHECKED	APPR'D	SCALE	DATE DRAWN
								—	RY	SW		1:1	1-21-75
								FINISH	 Cole Hersee Co. <small>WORLDWIDE AERIAL PHOTOGRAPHY & VIDEO</small>				DATE BLUEPRINT
								TOLERANCES					SWITCH, TOGGLE
								DECIMAL ±					
								METRIC ±					

D ADD NOTE / 2/29/30 11/13/73 TJH
 C REDRAWN 4/24/75

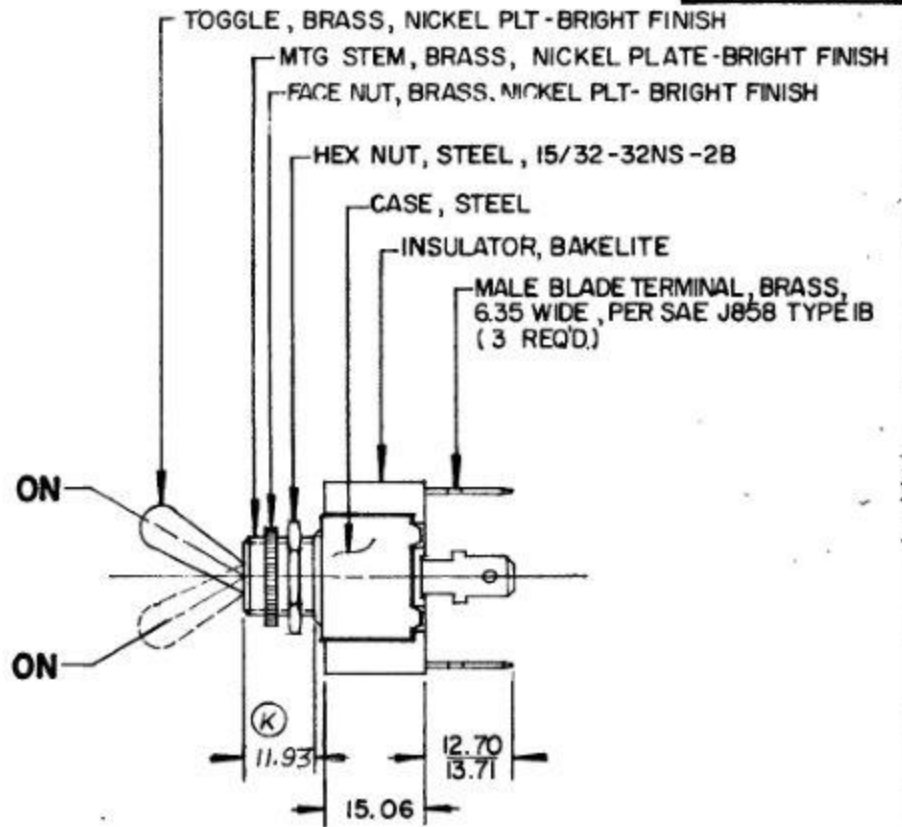
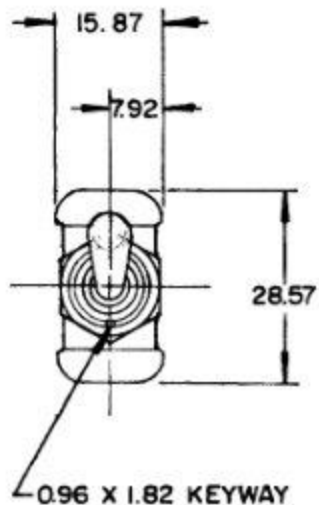
CH-188(4-78)

MM	IN
0.25	.010
0.96	.038
1.52	.060
1.82	.072
6.35	.250
7.92	.312
12.70	.500
11.93	.470
13.71	.540
14.98	.590
15.06	.593
15.87	.625
28.57	1.125

55015

RATING:

10 AMPS @ 250 V. A. C.
 15 AMPS @ 125 V. A. C.
 25 AMPS @ 12 V. D. C.



NOTE

- 1. ALL STEEL PARTS EITHER ZINC PLATE WITH DICHROMATE DIP OR CADMIUM PLATE
- 2. SILVER CONTACT SURFACES

METRIC

DO NOT SCALE

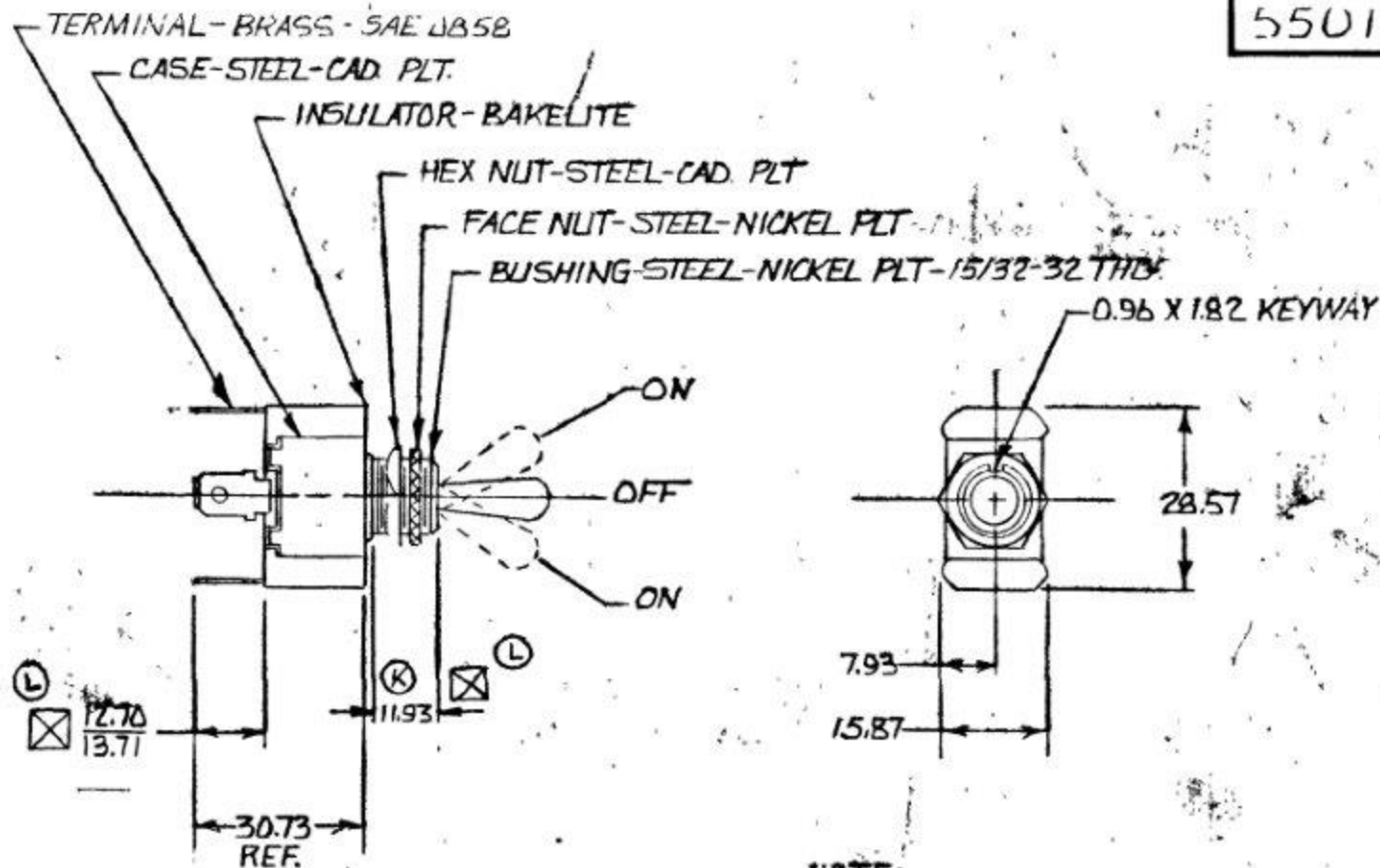
LET	WAS	DATE	BY	LET	WAS	DATE	BY	MATERIAL	DRAWN	CHECKED	APPRV D	SCALE	DATE DRAWN
								+	PLB	TY		1:1	9 - 6 - 56
								FINISH					DATE BLUEPRINT
				L	AND NOTE / 25432	7/15/93	TGH						
				K	531/21279	1-21-81	(K)	TOLERANCES					
				J	REDRAWN	5-2-79	JV	DECIMAL ±	SP-DT TOGGLE SWITCH				55015
								METRIC ± 0.25					

CH-188(4-78)

55016

COLE-HERSEE CO.

0.25	.010
0.38	.015
0.96	.038
1.52	.060
1.82	.072
7.93	.312
12.70	.500
11.93	.470
13.71	.546
14.98	.590
15.87	.625
28.57	1.125
30.73	1.210



NOTE:
 Ⓞ SILVER CONTACT SURFACES

METRIC

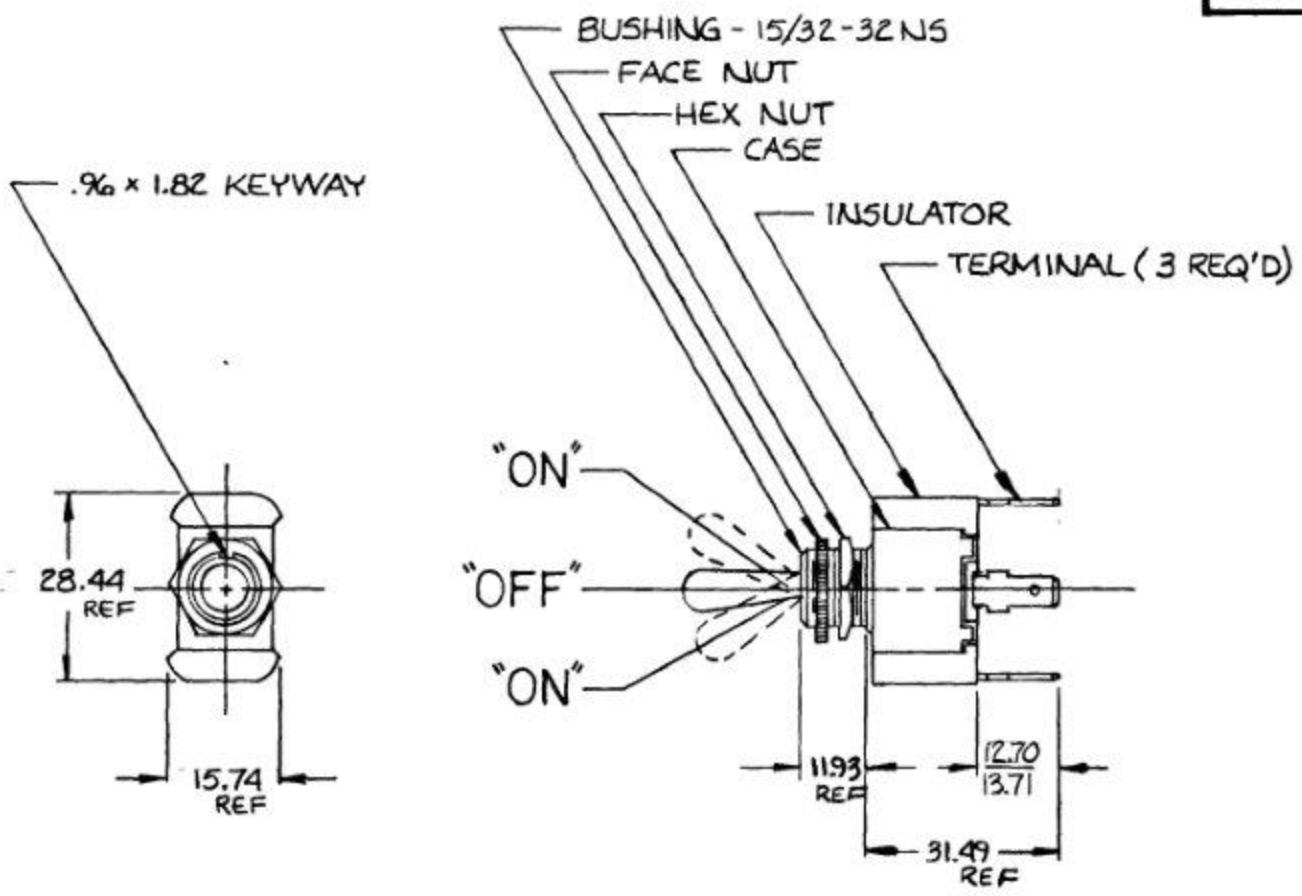
DO NOT SCALE

LET	WAS	DATE	BY	LET	WAS	DATE	BY	MATERIAL	DRAWN	CHECKED	APPR'D	SCALE	DATE DRAWN
									PLB	JH		1-1	9-6-56
				M	ADD NOTE/25932	9/15/93	JH	FINISH	COLE-HERSEE COMPANY BOSTON, MASS. 02127, U.S.A.				DATE BLUEPRINT
				L	ADD 54/100/80/5	2-25-92	JH						TOGGLE SWITCH
				K	531/21279	1-21-81	JH	TOLERANCES					
				J	ADD 100/100/2	4/1/77	JH	FRACTIONAL ± 0.38					
								DECIMAL ± 0.25					

SPAULDING CO., INC. 21-5353

55016-06

MM	IN
.96	.038
1.82	.072
12.70	.500
13.71	.540
15.74	.620
28.44	1.120
31.49	1.240
11.93	.470



METRIC

- NOTES:
- 1.0" RING SEAL IN BUSHING.
 - SILVER CONTACTS.
 - 25 AMPS @ 12 VDC LAMP LOAD.

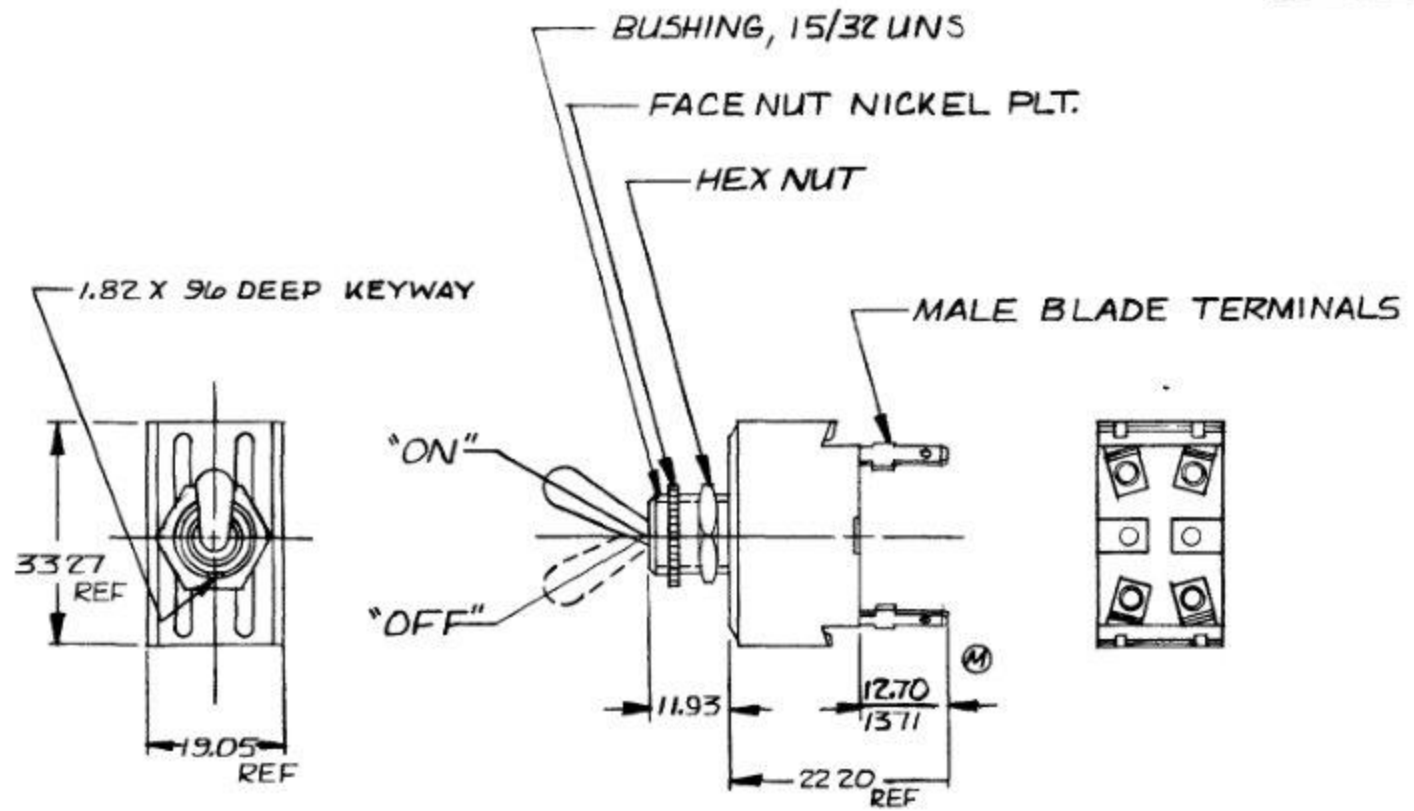
DO NOT SCALE

LET	WAS	DATE	BY	LET	WAS	DATE	BY	MATERIAL	DRAWN	CHECKED	APPR'D	SCALE	DATE DRAWN
								— #	W	B	RJA	1X	8-31-84
								FINISH	 WILD COUNTRY STONE BATHY BOSTON MA 02148				DATE BLUEPRINT
							— #	TOLERANCES					TOGGLE SWITCH
								DECIMAL ±					
								METRIC ±					

CH-188(4-78)

FR	FR
.25	.010
.96	.038
1.82	.072
11.93	.470
12.70	.500
13.11	.540
13.05	.750
22.20	.874
33.27	1.310

55017



25 AMPS 12VDC

NOTE
 Ⓜ SILVER CONTACT SURFACES

METRIC

DO NOT SCALE

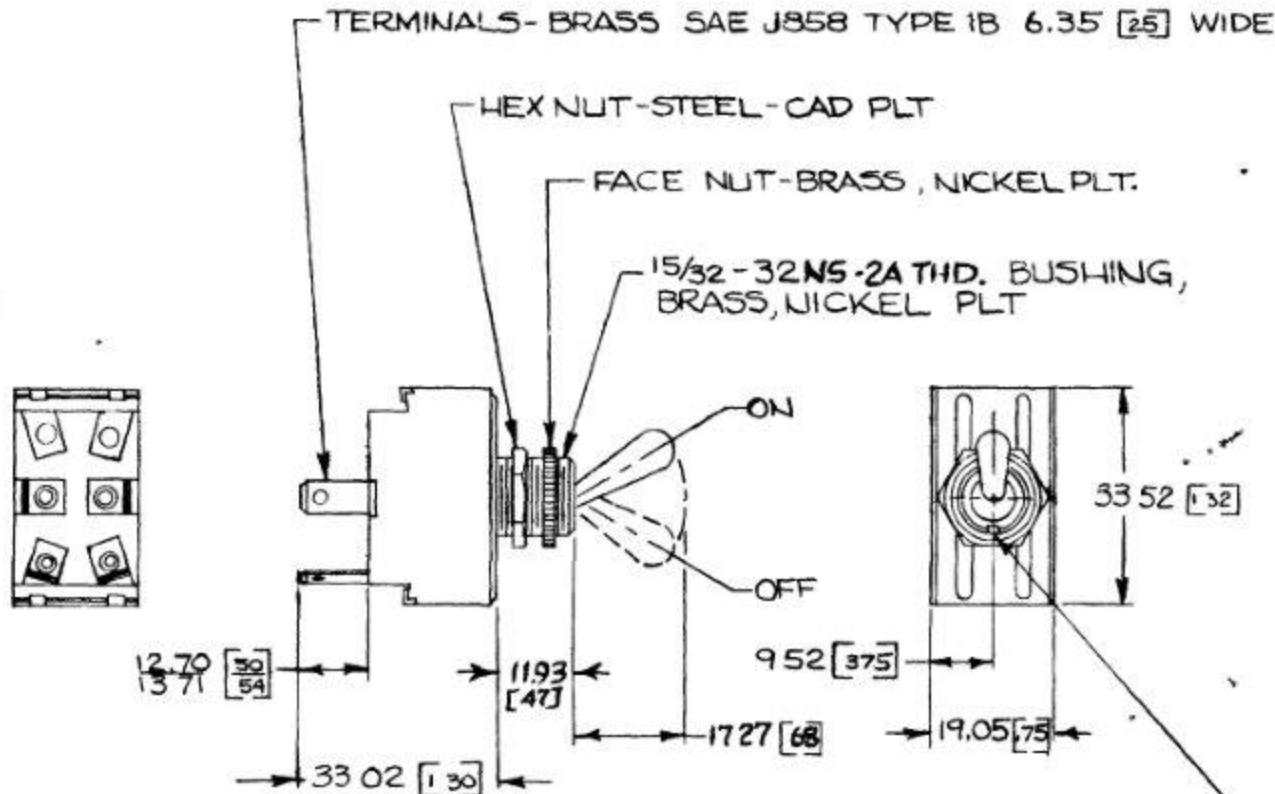
LET	WAS	DATE	BY	LET	WAS	DATE	BY	MATERIAL	DRAWN	CHECKED	APPR'D	SCALE	DATE DRAWN				
								//	GS	RJA		1 1	8-21-56				
								FINISH	 Cole Hersee Co. <small>INCORPORATED IN MATHIASVILLE, USA, U.S.A.</small>				DATE BLUEPRINT				
				N	ADD NOTE/23432	7/13/93	TJH	//									
				M	REV TERMS	1-7-82	Ⓜ	TOLERANCES									
				L	REV & REDRAWN	4-16-88	Ⓜ	DECIMAL ±	D.P.-S.T. OFF-ON TOGGLE SW.				55017				
								METRIC ± .25									

CH 188(4 78)

COLE-HERSEE CO. NPM 11-10-75

EX-17265

55017-02



DIMENSIONS MILLIMETERS [INCHES]

25 AMPS @ 12 V DC

NOTE
 1" O RING SEALED (NEOPRENE)
 (A) 2 SILVER CONTACT SURFACES

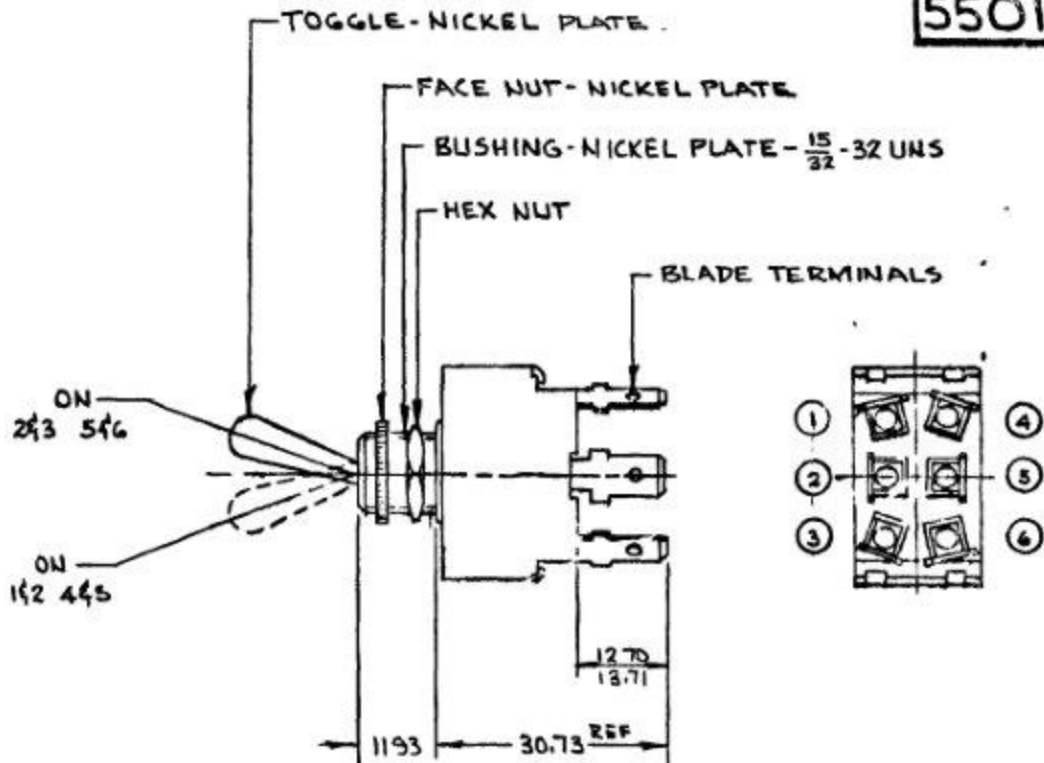
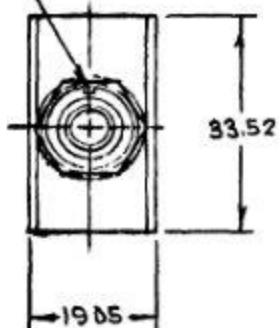
DO NOT SCALE

LET	WAS	DATE	BY	LET	WAS	DATE	BY	MATERIAL	DRAWN	CHECKED	APPR'D	SCALE	BASIC, EXCEPT	DATE DRAWN
								1	JW	TH		1=1	O-RING SEALED	10-16-75
								FINISH	COLE-HERSEE COMPANY BOSTON, MASS 02127, U.S.A.					DATE BLUEPRINT
								TOLERANCES						
				A		ADD NOTE / 25932	11/73	TH	DPST, "OFF-ON" TOGGLE SWITCH					55017-02
						ISSUED	11/8/75	FRACTIONAL ±						
								DECIMAL ± 0.10						

M/M	IN
.25	.010
.62	.025
1.27	.050
1.91	.075
2.54	.100
3.18	.125
3.81	.150
4.45	.175
5.08	.200
5.72	.225
6.35	.250

55018

KEYWAY 96 X 1.02



NOTE
 (H) SILVER CONTACT SURFACES

METRIC

25AMPS @ 12V DC LAMP LOAD

DO NOT SCALE

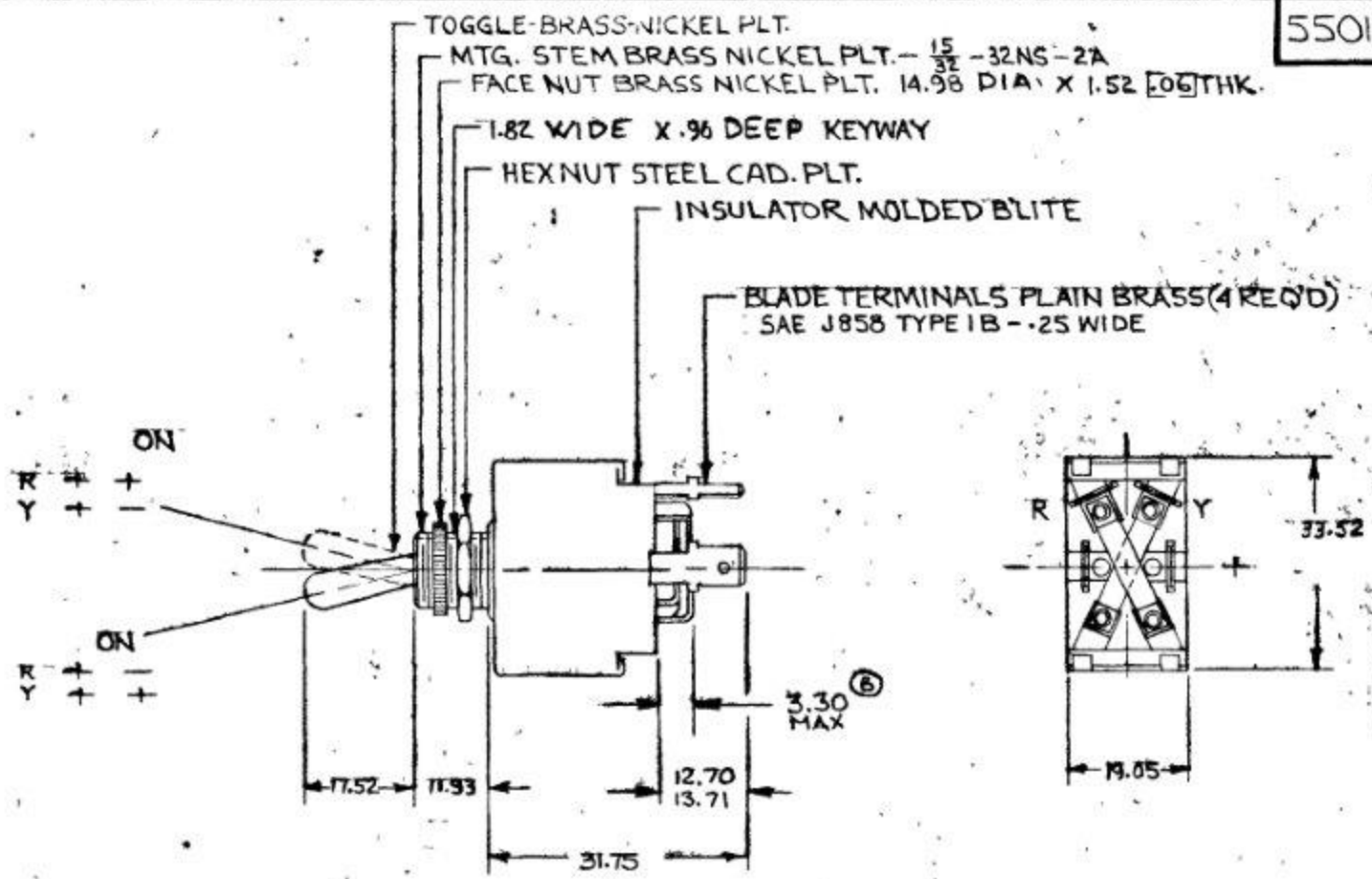
LET	WAS	DATE	BY	LET	WAS	DATE	BY	MATERIAL	DRAWN	CHECKED	APPROVD	SCALE	DATE DRAWN
								—H—	GS	H		1:1	8-21-56
								FINISH					DATE BLUEPRINT
								—H—					
				H	ADD NOTE / 25932	1/15/56	LN	TOLERANCES	TOGGLE SWITCH DPDT				55018
			G	REDRAWN - NO CHANGE	7-20-83	KJE	DECIMAL ±						
								METRIC ±0.25					

CH-188(4-78)

COLE-HERSEE CO. NPM. 9-22-75

EX. 15740 & 17361

55018-01



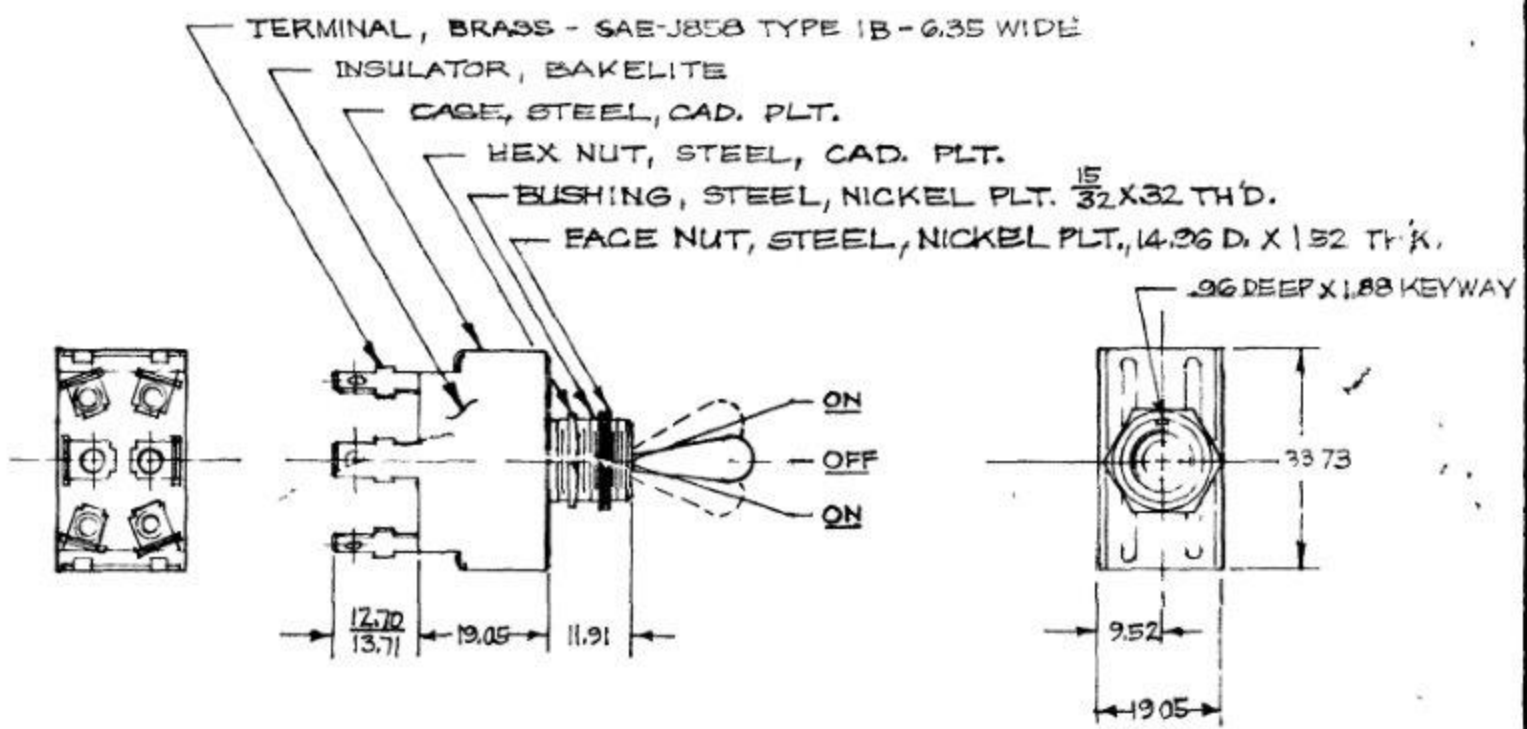
DO NOT SCALE

LET	WAS	DATE	BY	LET	WAS	DATE	BY	MATERIAL	DRAWN	CHECKED	APPR'D	SCALE	DATE DRAWN
								H	KG			FULL	9-2-75
								FINISH	COLE-HERSEE COMPANY BOSTON, MASS 02127, U.S.A.				DATE BLUEPRINT
				B	ECN24267	1-31-75	AF	H					
				A	REV/19190	10-14-75	KG	TOLERANCES	REVERSING SWITCH				55018-01
					ISSUED	9-24-75	AF	FRACTIONAL ±					
								DECIMAL ±					

SPAULDING CO., INC 21-55259

COLE-HERSEE CO.

55019



NOTE
 (B) SILVER CONTACT SURFACES

METRIC

25 AMPS @ 12V DC

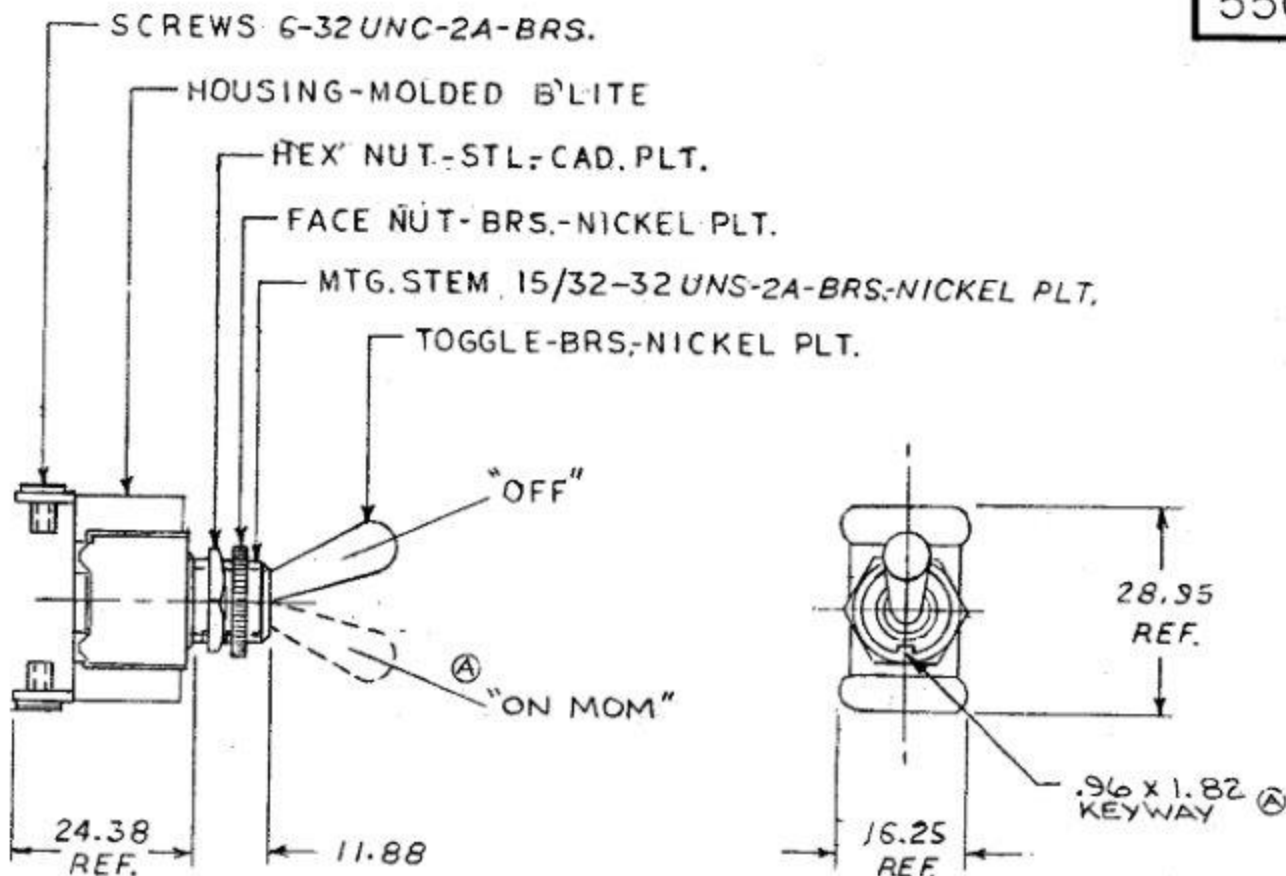
DO NOT SCALE

LET	WAS	DATE	BY	LET	WAS	DATE	BY	MATERIAL NOTED	DRAWN	CHECKED	APPR'D	SCALE	DATE DRAWN
									GS	TY		FULL	8-21-56
								FINISH	COLE-HERSEE COMPANY BOSTON, MASS 02127, USA				DATE BLUEPRINT
								TOLERANCES FRACTIONAL ± DECIMAL ± .25					D.P.D. TOGGLE SWITCH 55019

SPaulding CO INC 21 5352

55020-02

METRIC



- NOTE:
- 1) NEOPRENE O-RING SEAL AT MTG STEM
 - 2) ALL STEEL PARTS EITHER ZINC PLT. DICHROMATE DIP OR CAD. PLT.
 - 3) SILVER CONTACT SURFACES

Confidential Property of Cole Hersee

DO NOT SCALE

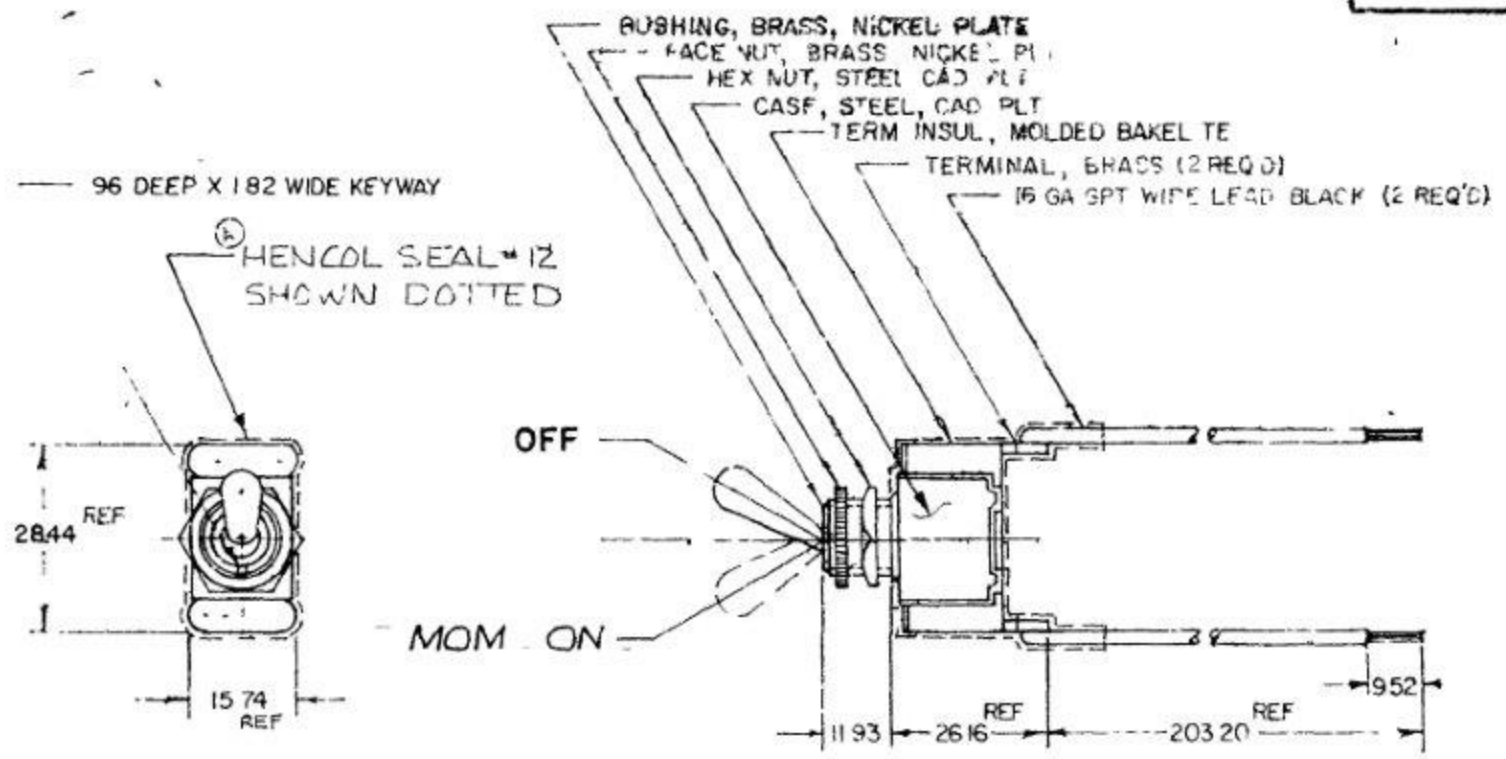
ET	WAS	DATE	BY	LET	WAS	DATE	BY	MATERIAL	DRAWN	CHECKED	APPR'D.	SCALE	BASIC WITH O-RING SEAL	DATE DRAWN
								—	EA	9-24-76		1=1		9-22-76
				B	ADD NOTE/35432	9/15/73	TJH	FINISH	COLE-HERSEE COMPANY BOSTON, MASS. 02127, U.S.A.					DATE BLUEPRINT
				A	ECN 23559	6-30-87	MZ	—						55020-02
					ISSUED	7-25-86	AF	TOLERANCES FRACTIONAL ± DECIMAL ±0.25	TOGGLE SW.					55020-02

COLE-HERSEE CO.
 NPM

MM	IN
0.25	.010
0.96	.038
1.82	.072
11.88	.468
16.25	.640
17.44	.687
24.38	.960
28.95	1.140

55020-04

MM	IN
1.25	.010
.96	.035
1.82	.072
9.82	.375
11.93	.470
15.74	.620
26.16	1.035
28.44	1.120
203.20	8.000



NOTE
 1 NEOPRENE O RING SEALED
 (A)

METRIC

DO NOT SCALE

LET	WAS	DATE	BY	LET	WAS	DATE	BY	MATERIAL	DRAWN	CHECKED	APPRO'D	SCALE	DATE DRAWN
									NPM	B379			
								FINISH	CH Cole Hersee Co				DATE BLEPRINT
				A	DELETED NOTE ADDED NOTE ISSUED	3-23-84 8-3-79	PR	TOLERANCES DECIMAL ± .005 METRIC =	S.P.S.T. MOM TOGGLE SWITCH				55020-04

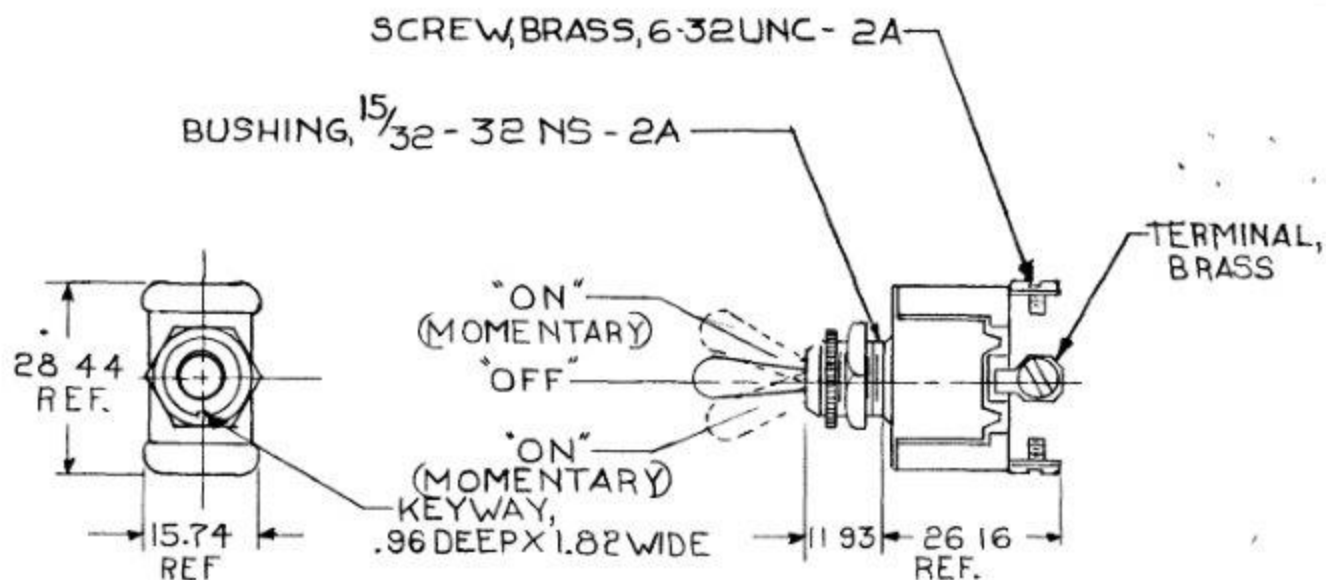
CH 188(4 78)

MM-IN
 .96 - 038
 1.52 - 060
 1.82 - 072
 11.93 - 470
 14.98 - 590
 15.74 - 620
 26.16 - 1.030
 28.44 - 1.120

55021

NOTE:
 Ⓞ SILVER CONTACT SURFACES

BLA02
 55033-01



METRIC

RATING: 25A @ 12V DC
 10A @ 24V DC

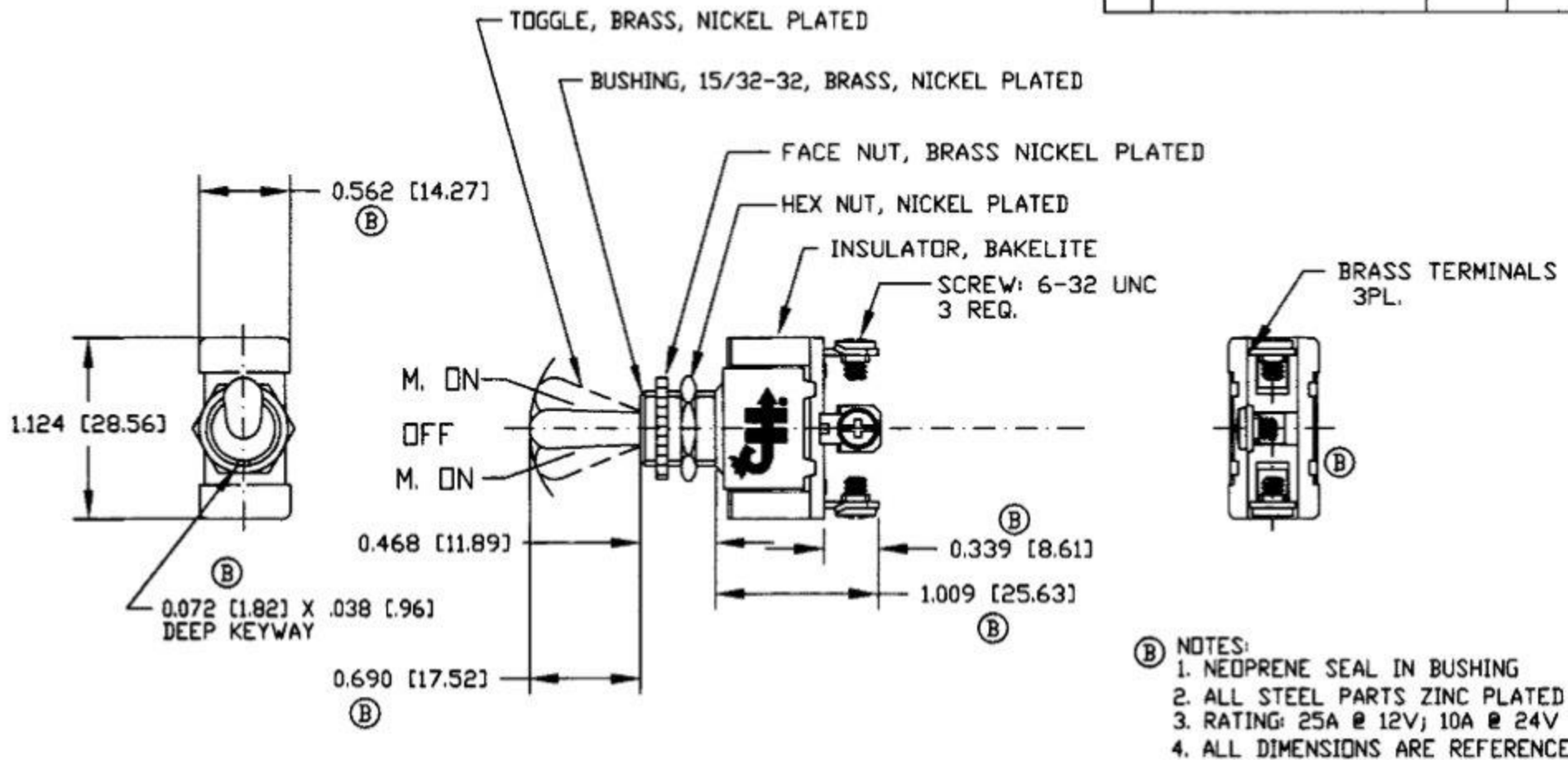
DO NOT SCALE

LET	WAS	DATE	BY	LET	WAS	DATE	BY	MATERIAL	DRAWN	CHECKED	APPRVD	SCALE	DATE DRAWN
								FINISH	WD	3-5-80		1:1	1-22-59
									CH Cole Hersee Co 10 0000 1 12 50 80 100W 2 1 2				DATE BLUEPRINT
				D	ADD NOTE/25432	9/15/92	TJH	TOLERANCES	SPDT TOGGLE SWITCH (MOMENTARY)				55021
				C	REDRAWN	1 11 80	DS	DECIMAL ± METRIC ±					

CH 188(4 78)

Revision Control Record

Rev.	Description of Change	ECN No.	Date
B	PUT ON CAD	06001	012/27/08



- (B) NOTES:
1. NEOPRENE SEAL IN BUSHING
 2. ALL STEEL PARTS ZINC PLATED
 3. RATING: 25A @ 12V; 10A @ 24V
 4. ALL DIMENSIONS ARE REFERENCE

Tolerances: Unless otherwise specifically noted, the following are default tolerances:
 • 2-place Decimal Dimensions $\pm .01$ "
 • 3-place Decimal Dimensions $\pm .005$ "
 • Angular Dimensions ± 1.0 Deg.
 • Metric: Refer to equivalent English Dimension Tolerance
 >>> NOTE: All tolerances are *Non-Conservative*.

Dimensional Units: All dimensions are expressed in inches except those shown in brackets (xxx) are expressed in millimeters

REF. or an Asst. Co. = Non-Toleranced Reference Dimension, shown for identification purposes only.

PROPRIETARY INFORMATION: This Engineering Drawing, and the information contained herein, is proprietary to Cole Hersee Company and may not be disclosed, re-produced, or in any other way transferred or communicated to any other party without the express written consent of an authorized representative of Cole Hersee Company.

DESIGN CONTROL: It is the responsibility of the individual using / referencing this drawing to ensure that the noted design revision level agrees with the revision level of the Controlled Document (Master Drawing). This is a NON-CONTROLLED DOCUMENT unless otherwise specifically noted.

DO NOT SCALE - Dimensional variation may occur during printing / reproduction.

Special Characteristics:

- ◆ Critical Characteristic, relating to Safety and/or Regulatory Compliance
- X Significant Characteristic relating to Process Control (SPC)
- Ⓞ Key Characteristic relating to Form - Fit - Function as defined by Cole Hersee Company and/or the Customer

(Note that the identification of any Characteristic as being "Special" does not alter the requirement that ALL specified dimensions & tolerances must be met.)

Cole Hersee Co.
 20 Old Colony Ave., South Boston, MA, 02127
 Fax 617-388-2100 Web www.colehersee.com

Description: SWITCH, TOGGLE . SPDT
 M.ON-OFF-M.ON

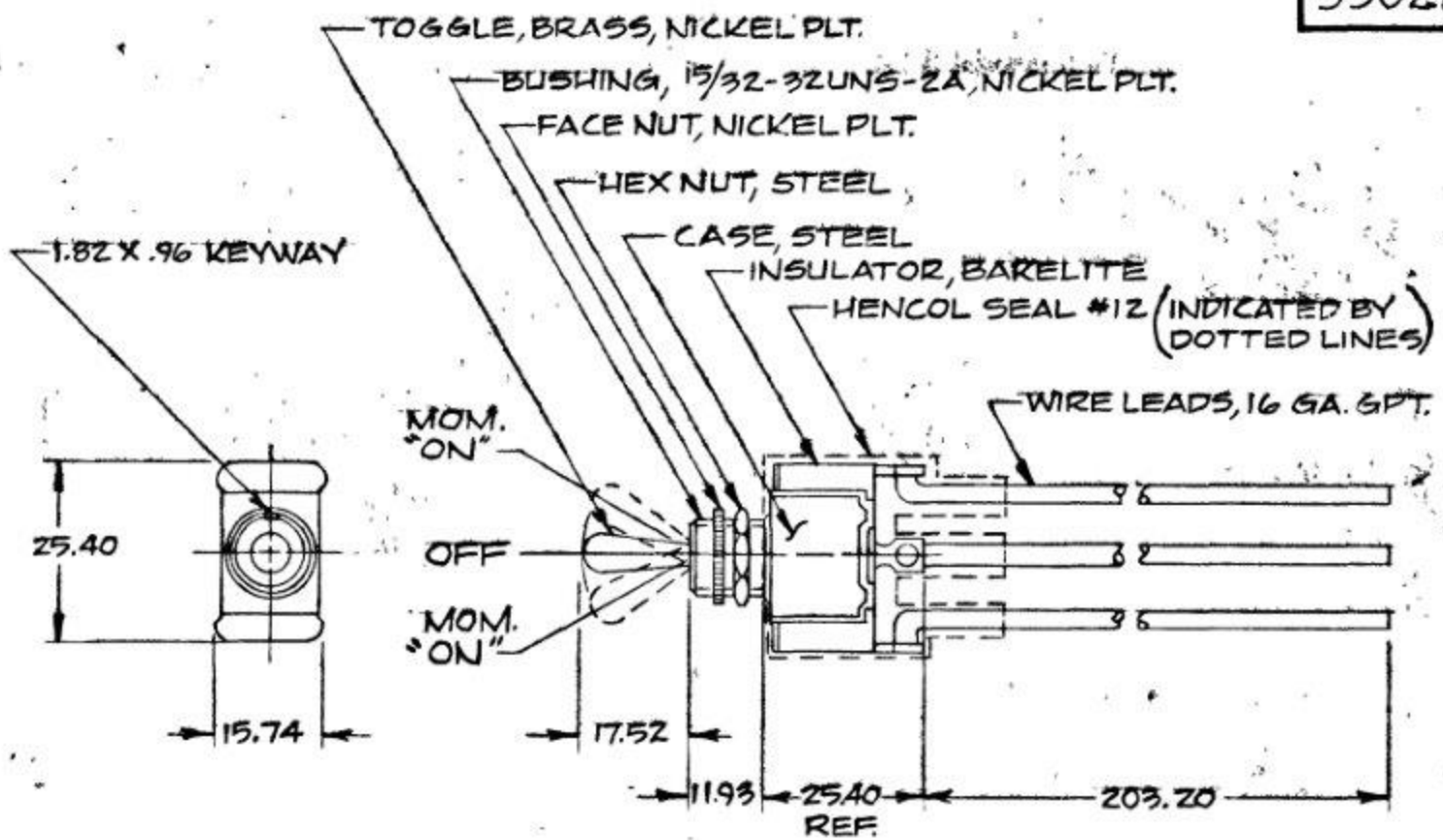
Drawing / Part No.: 55021-04

Current Rev.: B

MM.	IN
25	.810
46	.038
1.82	.072
11.93	.470
15.74	.620
17.92	.690
25.40	1.000
38.44	1.120
59.20	2.000

55021-07

COLE-HERSEE CO.
NFM 3-30-77
731-6
EX-17874



- NOTES:
1. O-RING SEAL IN BUSHING
 2. ALL STEEL PARTS EITHER ZINC PLT. DICHROMATE DIP OR CAD. PLT.

METRIC

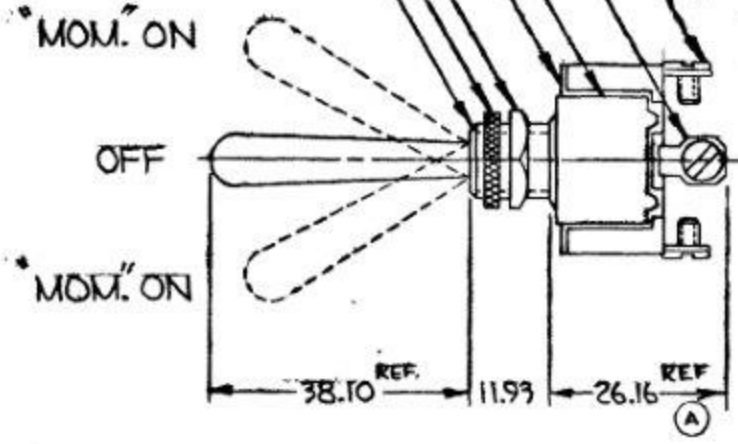
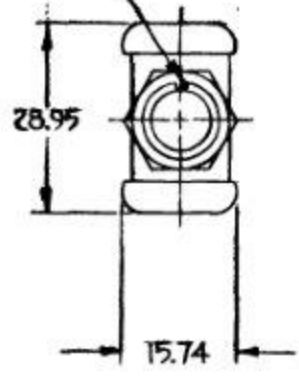
DO NOT SCALE

LET	WAS	DATE	BY	LET	WAS	DATE	BY	MATERIAL	DRAWN	CHECKED	APPR'D	SCALE	REVISIONS	DATE DRAWN
								#	KG	17		1:1	BASIC - 06 W/S LEADS, PVC COATED, FACE NUT & HEX NUT ASSEMBLED.	3-17-77
								#	COLE-HERSEE COMPANY BOSTON, MASS 02127, U.S.A.					DATE BLUEPRINT
								TOLERANCES FRACTIONAL ± DECIMAL ±.25	ISSUED 4-22-77 S.P.D.T. TOGGLE SW.					55021-07

55021-08

- SCREW, BRASS, 6-32 UNC-2A THD. (3 REQ'D)
- TERMINAL, BRASS (3 REQ'D)
- CASE, STEEL, CAD. PLT.
- INSULATOR, BAKELITE
- HEX-NUT, STEEL, CAD. PLT.
- FACE NUT, BRASS, NICKEL PLT.
14.98 DIA. X 1.52 THK.
- MTG. STEM, 15/32-32 UNS-2A
BRASS, NICKEL PLT.

KEYWAY 0.96 DEEP
X 1.82 WIDE



NOTE:
① SILVER CONTACT SURFACES

METRIC

25 AMP-14 VOLT D.C.

DO NOT SCALE

LET	WAS	DATE	BY	LET	WAS	DATE	BY	MATERIAL	DRAWN	CHECKED	APPR'D	SCALE	BASIC, WITH 1/2"	DATE DRAWN	
								—H—	VK	TY		1:1	LONG BAT HANDLE	3-29-78	
								FINISH	COLE-HERSEE COMPANY BOSTON, MASS. 02127, U.S.A.					DATE BLUEPRINT	
				B	AND NOTE/25432	1/15/73	F.H.	—H—							
				A	ENR TEL/MAL	20420	12 26 78	R.P.	TOLERANCES	TOGGLE SWITCH					55021-08
					ISSUED	4-6-78	TY	FRACTIONAL ±							
								DECIMAL ±0.25							

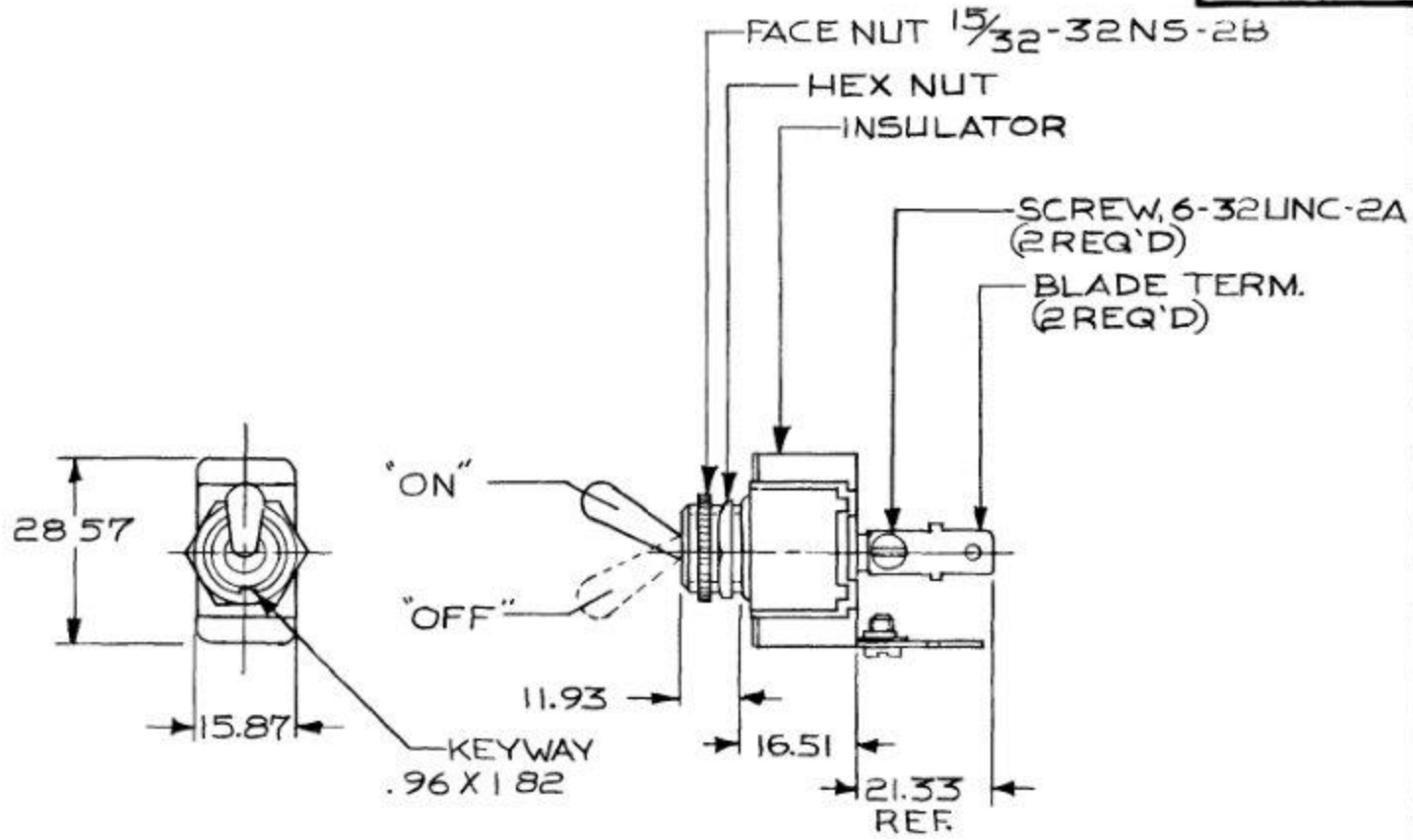
COLE-HERSEE CO.
NPM

EX-18119

MIL	IN.
0.25	.010
0.96	.038
1.52	.060
1.82	.072
1.93	.076
14.98	.598
15.74	.620
26.16	1.030
28.95	1.140
38.10	1.500

MM IN
 .25 .010
 .96 .038
 1.82 .072
 11.93 470
 16.51 .650
 15.87 .625
 21.33 840
 28.57 1125

55023



NOTE:
 RATING: 15AMP @ 12V

METRIC

DO NOT SCALE

LET	WAS	DATE	BY	LET	WAS	DATE	BY	MATERIAL	DRAWN	CHECKED	APPR'D	SCALE	DATE DRAWN
								— # —	MM	827-80		1:1	5-28-59
								FINISH	 39 OLD COLUMBIAN BLVD. SOUTH BOSTON, MASS. U.S.A. 02117				DATE BLUEPRINT
								TOLERANCES					S.P.S.T. TOGGLE SW
								DECIMAL ±					
								METRIC ± .25					

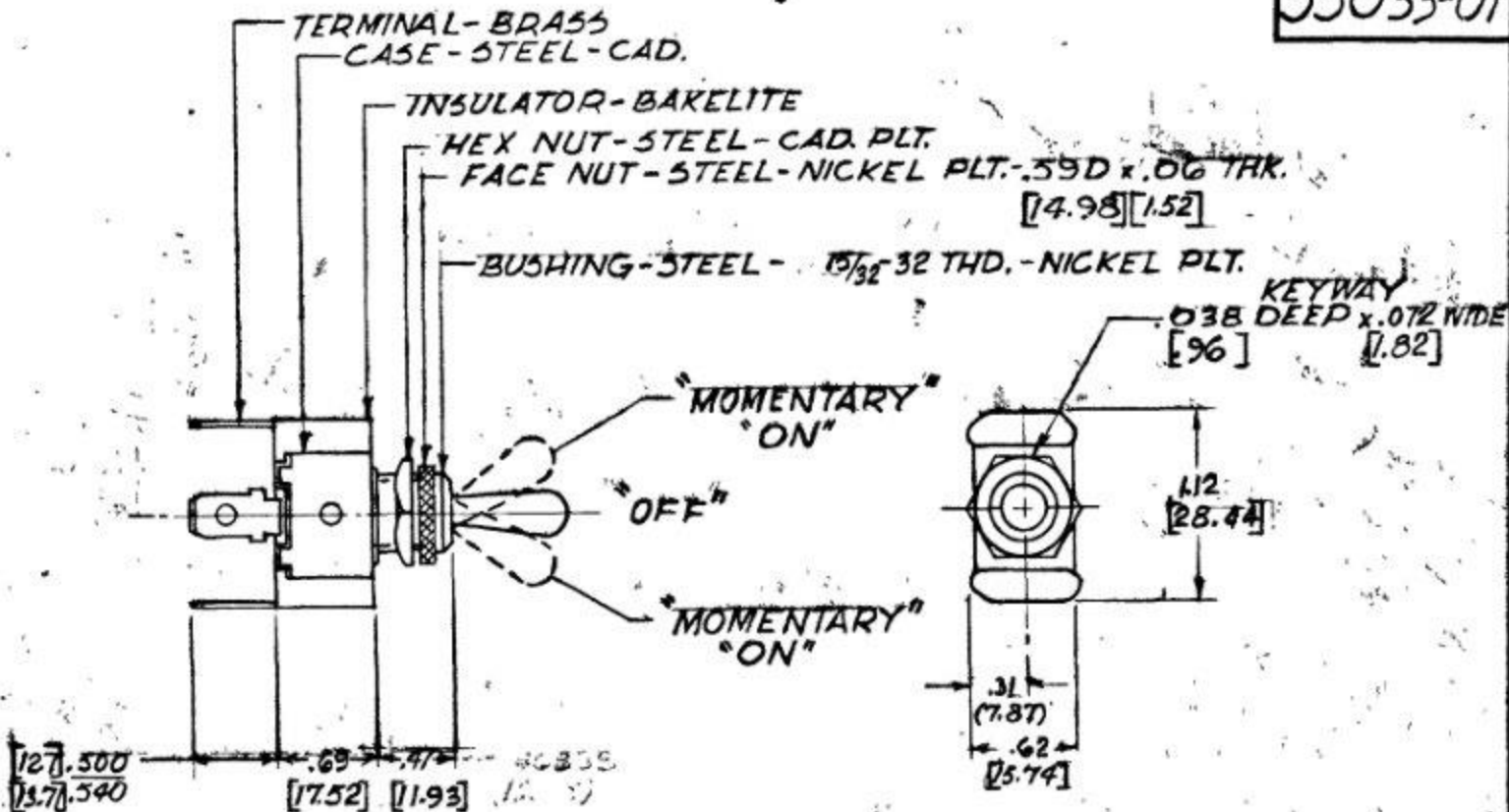
CH-188(4-78)

SCREW
55021

NFM 1-A-7

COLE-HERSEE CO.

55033-01



NOTE

(A) SILVER CONTACT SURFACES

25 AMP - 14 VOLT D.C.

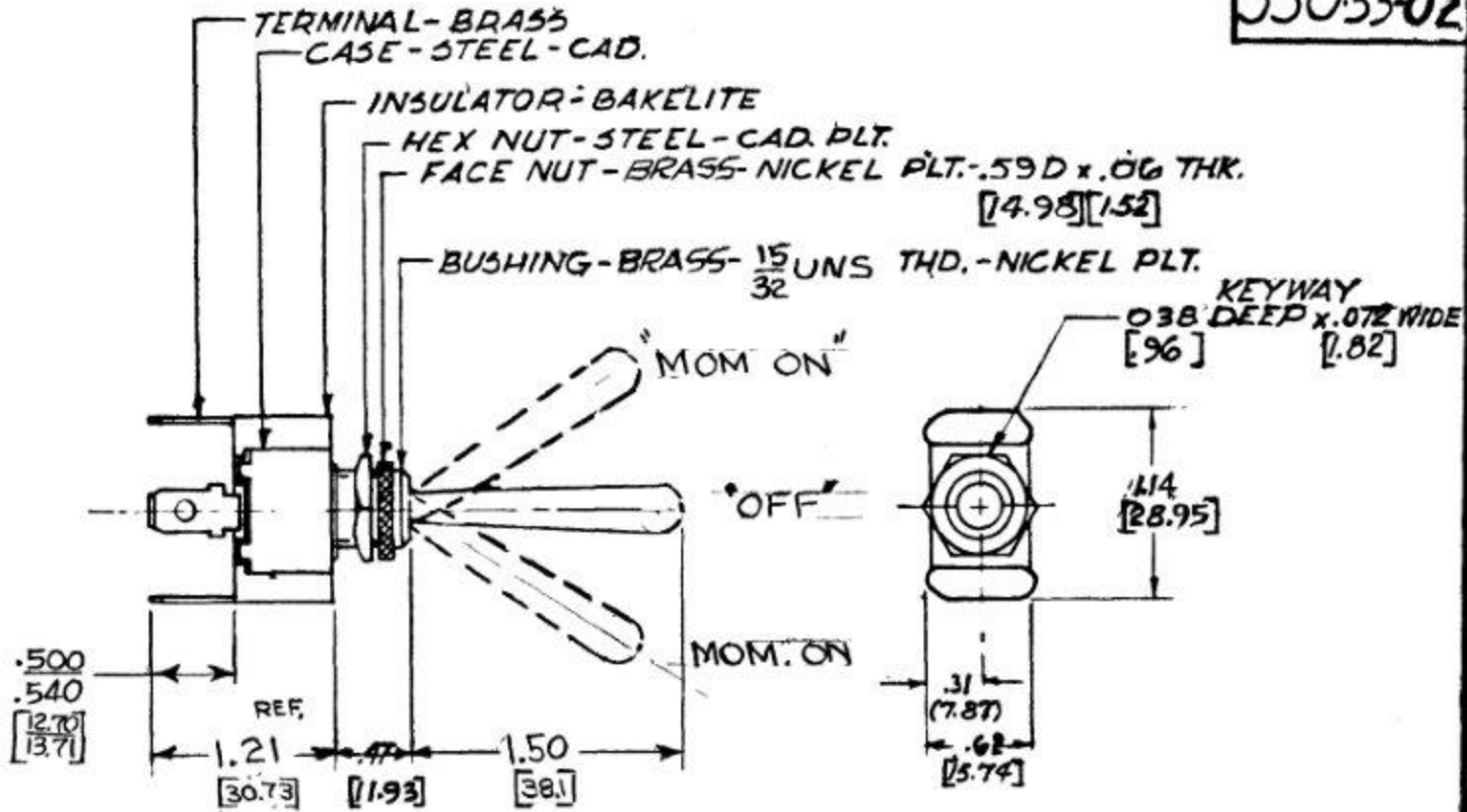
DO NOT SCALE

LET	WAS	DATE	BY	LET	WAS	DATE	BY	MATERIAL	DRAWN	CHECKED	APPROV'D	SCALE	DATE DRAWN
									S.B.	9/15/74		FULL	DEC 5, 1973
								FINISH	COLE-HERSEE COMPANY				DATE BLUEPRINT
									BOSTON, MASS 02127, U.S.A.				
				A	ADD NOTE 25432	9/15/73	T.J.	TOLERANCES	TOGGLE SWITCH				55033-01
					ISSUED	1-16-74		FRACTIONAL ±					
								DECIMAL ±					

COLE-HERSEE CO. NPM 11-5-75

EX17418

55033-02



NOTE

Ⓐ SILVER CONTACT SURFACES

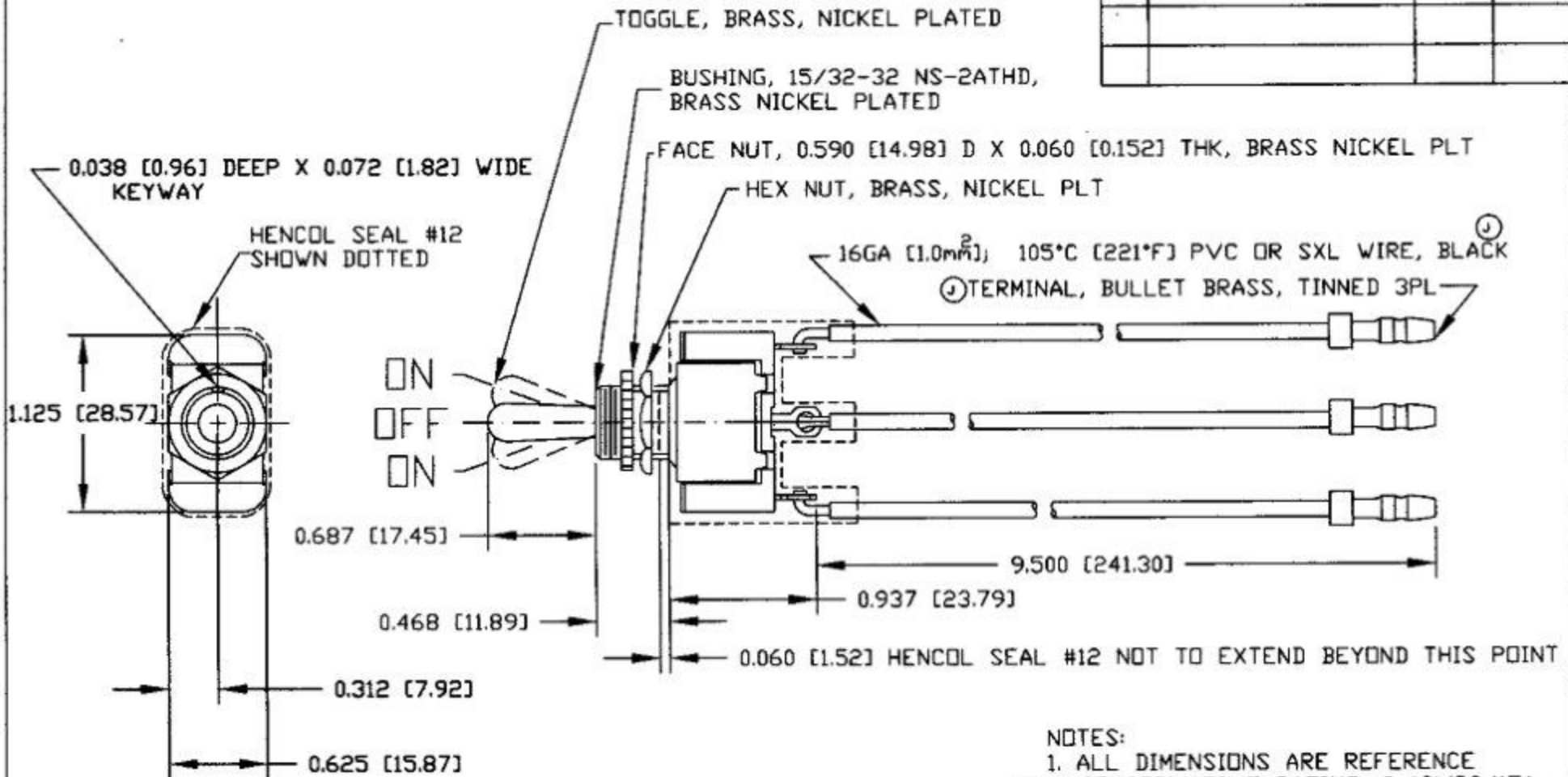
25 AMP - 14 VOLT D.C.

DO NOT SCALE

LET	WAS	DATE	BY	LET	WAS	DATE	BY	MATERIAL	DRAWN	CHECKED	APPROVD	SCALE	DATE DRAWN
								—/—	C.S.	[Signature]		FULL	11-10-75
								FINISH	COLE-HERSEE COMPANY				DATE BLUEPRINT
								—/—	BOSTON, MASS. 02127, U.S.A.				
				A	ADD NOTE/25932	9/15/75	TJH	TOLERANCES	TOGGLE SWITCH				55033-02
					ISSUED	11-18-75	[Signature]	FRACTIONAL ±					
								DECIMAL ±					

Revision Control Record

Rev.	Description of Change	ECN No.	Date
J	NOTE CHANGE	04074	02/24/04



NOTES:

1. ALL DIMENSIONS ARE REFERENCE
2. CONSERVATIVE RATING, @ 12VDC/15A.
3. D-RING SEAL IN MOUNTING STEM.

Tolerances. Unless otherwise specifically noted, the following are default tolerances:
 * 3-place Decimal Dimensions $\pm .01$ "
 * 3-place Decimal Dimensions $\pm .005$ "
 * Angular Dimensions ± 1.0 Deg.
 * Metric: Refer to equivalent English Dimension Tolerance
 *** NOTE: All tolerances are Non-Cumulative. ***

Dimensional Units. All dimensions are expressed in inches except those shown in brackets (xxx) are expressed in millimeters

"REF." or an Asterisk (*) = Non-Toleranced Reference Dimension, shown for clarification purposes only.

PROPRIETARY INFORMATION. This Engineering Drawing, and the information contained herein, is proprietary to Cole Hersee Company and may not be disclosed, re-produced, or in any other way transferred or communicated to any other party without the express written consent of an authorized representative of Cole Hersee Company.

DESIGN CONTROL. It is the responsibility of the individual using/referencing this drawing to assure that the noted design revision level agrees with the revision level of the Controlled Document (Master Drawing). This is a NON-CONTROLLED DOCUMENT unless otherwise specifically noted.

DO NOT SCALE. Dimensional variation may occur during printing/reproduction.

Special Characteristics:

- Critical Characteristic, relating to Safety and/or Regulatory Compliance
- Significant Characteristic relating to Process Control (SPC)
- Key Characteristic relating to Form - FR - Function as defined by Cole Hersee Company and/or the Customer

(Note that the identification of any Characteristics as being "Special" does not alter the requirement that ALL specified dimensions & tolerances must be met.)

Cole Hersee Co.
 20 Old Colony Ave., South Boston, MA, 02127
 Phone: 617-368-2100 Web: www.colehersee.com

Description:
TOGGLE SWITCH, SPDT

Drawing / Part No.: **55036**

Current Rev.
J

Used On or Ref.: Scale: **1:1**

Drawn By: **ZU**

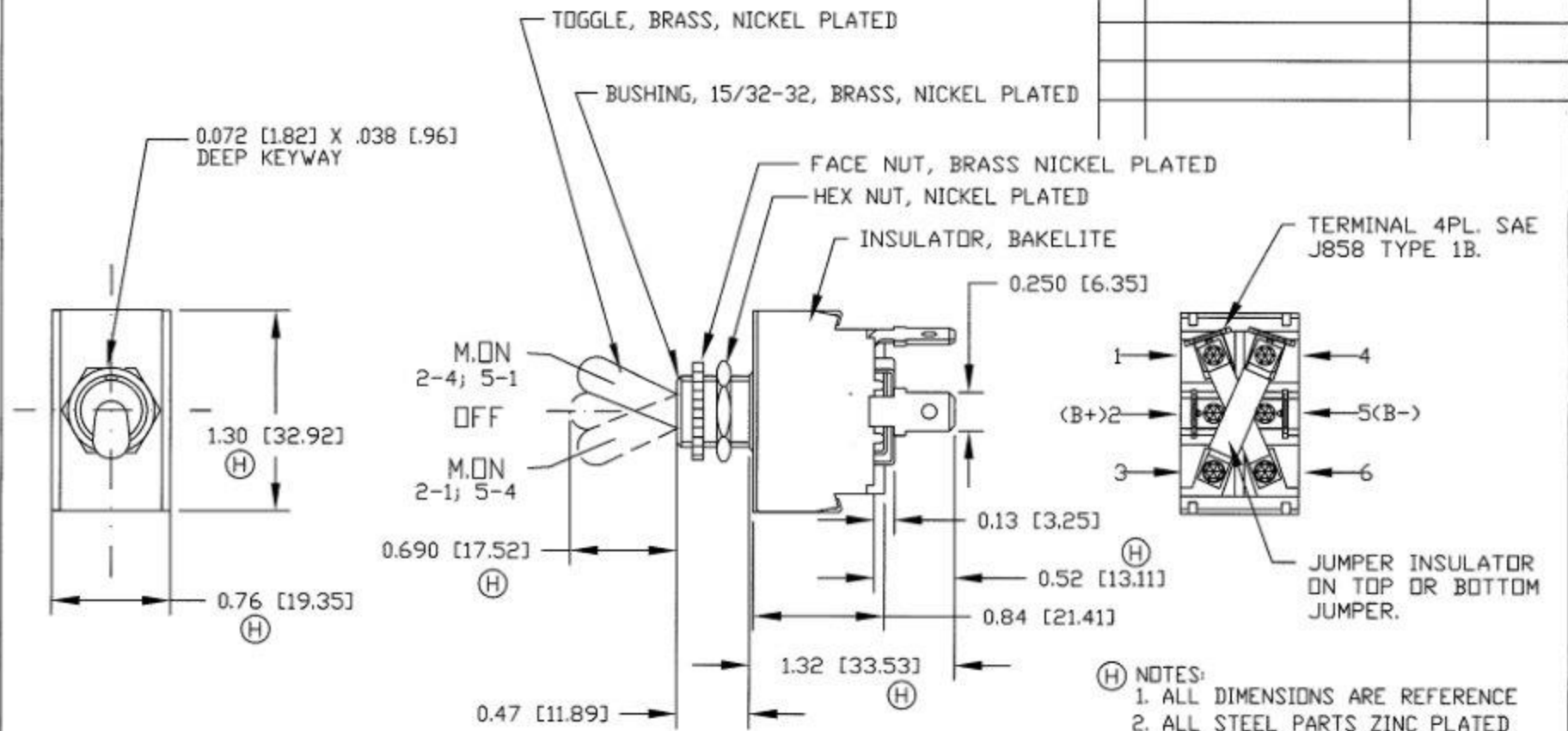
Date Drawn: **12/27/88**

Responsible Engineer: **GA**

Pg. 1 of 1

Revision Control Record

Rev.	Description of Change	ECN No.	Date
H	CONVERTED TO CAD	11131	04/21/11



Tolerances: Unless otherwise specifically noted, the following are default tolerances:
2-places +/- 0.02"
3-places +/- 0.005"
Angular +/- 1'
 Metric: Shown in [] refers to equivalent English Dim Tol
 "REF." or an Asterisk (*) = Non-Toleranced Reference Dimension, shown for clarification purposes only.
 NOTE: All tolerances are Non-Cumulative.

PROPRIETARY INFORMATION
 This Engineering Drawing, and the information contained herein, is proprietary to Cole Hersee Company and may not be disclosed, re-produced, or in any other way transferred or communicated to any other party without the express written consent of an authorized representative of Cole Hersee Company.

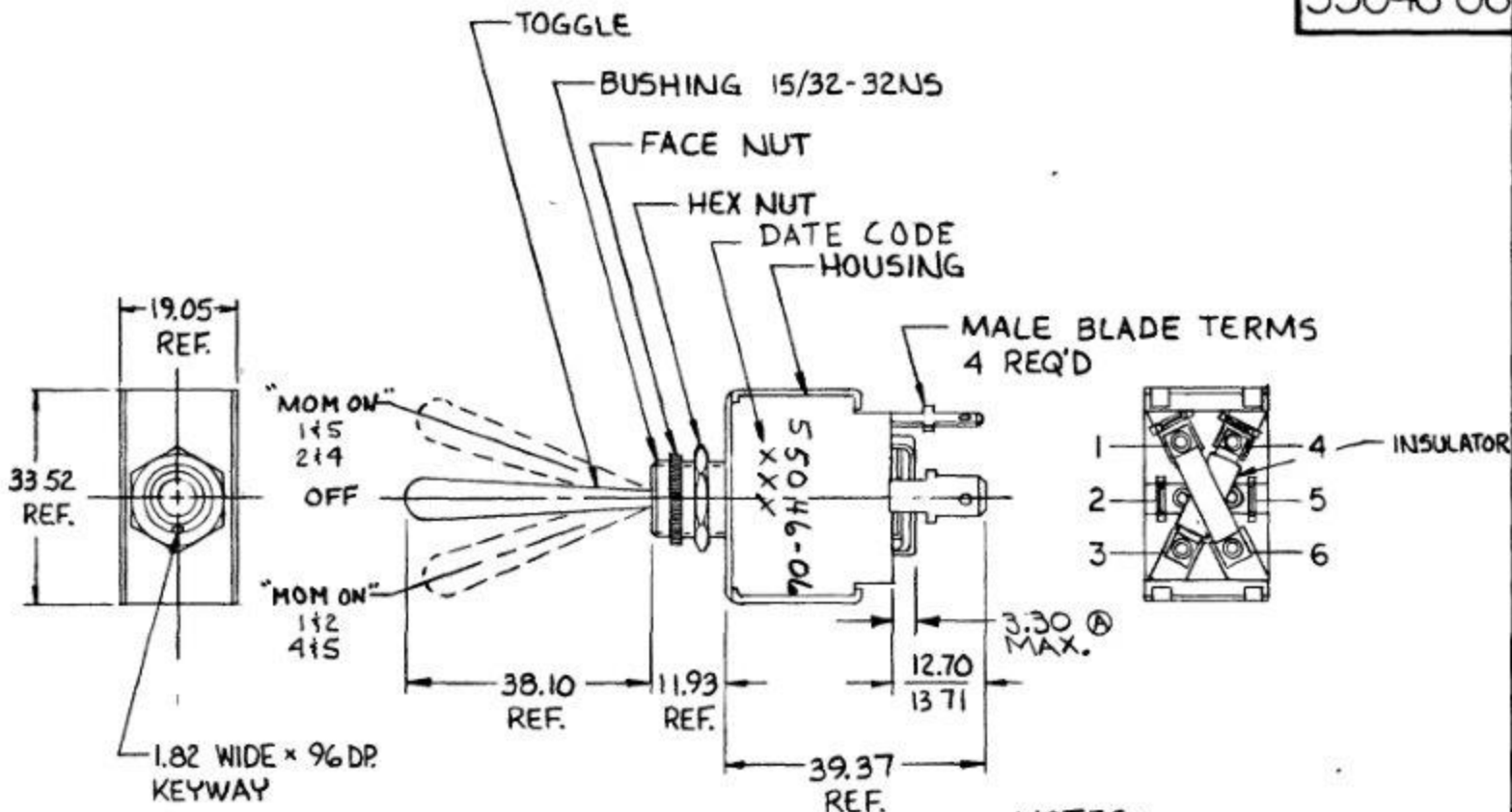
Special Characteristics:
 Critical Characteristic, relating to Safety and/or Regulatory Compliance
 Significant Characteristic relating to Process Control
 Control Dimension relating to Form - Fit - Function as defined by Cole Hersee Company and/or the Customer

Cole Hersee Co.
 20 Old Colony Ave., South Boston, MA, 02127
 Phn: 617-268-2100 Web: www.colehersee.com

Description: SWITCH, TOGGLE . DPDT
 M.ON-OFF-M.ON; FW-REV

55046-06

MM	IN
25	010
96	038
1.82	072
11.93	.470
12.70	500
13.71	540
19.05	.750
33.52	1.320
38.10	1.500
39.37	1.550
3.30	.130



NOTES:
 1. ALL STEEL PARTS PLATED.
 2. 25 AMPS @ 12 V.D.C.
 3. O-RING SEALED.

METRIC

DO NOT SCALE

LET	WAS	DATE	BY	LET	WAS	DATE	BY	MATERIAL	DRAWN	CHECKED	APPRV'D	SCALE	DATE DRAWN	
								—	WB	RT		1:1	6-17-86	
								FINISH	 Cole Hersee Co. <small>A 50 COLONY AVENUE SOUTH BOSTON MA 02127</small>				DATE BLUEPRINT	
								—						
				A	ADD 3.30 MAX	23407	2-5-81	LZ	TOLERANCES	REVERSING SW.				55046-06
					ISSUED	10/28/86	AF	DECIMAL ±						
								METRIC ±.25						

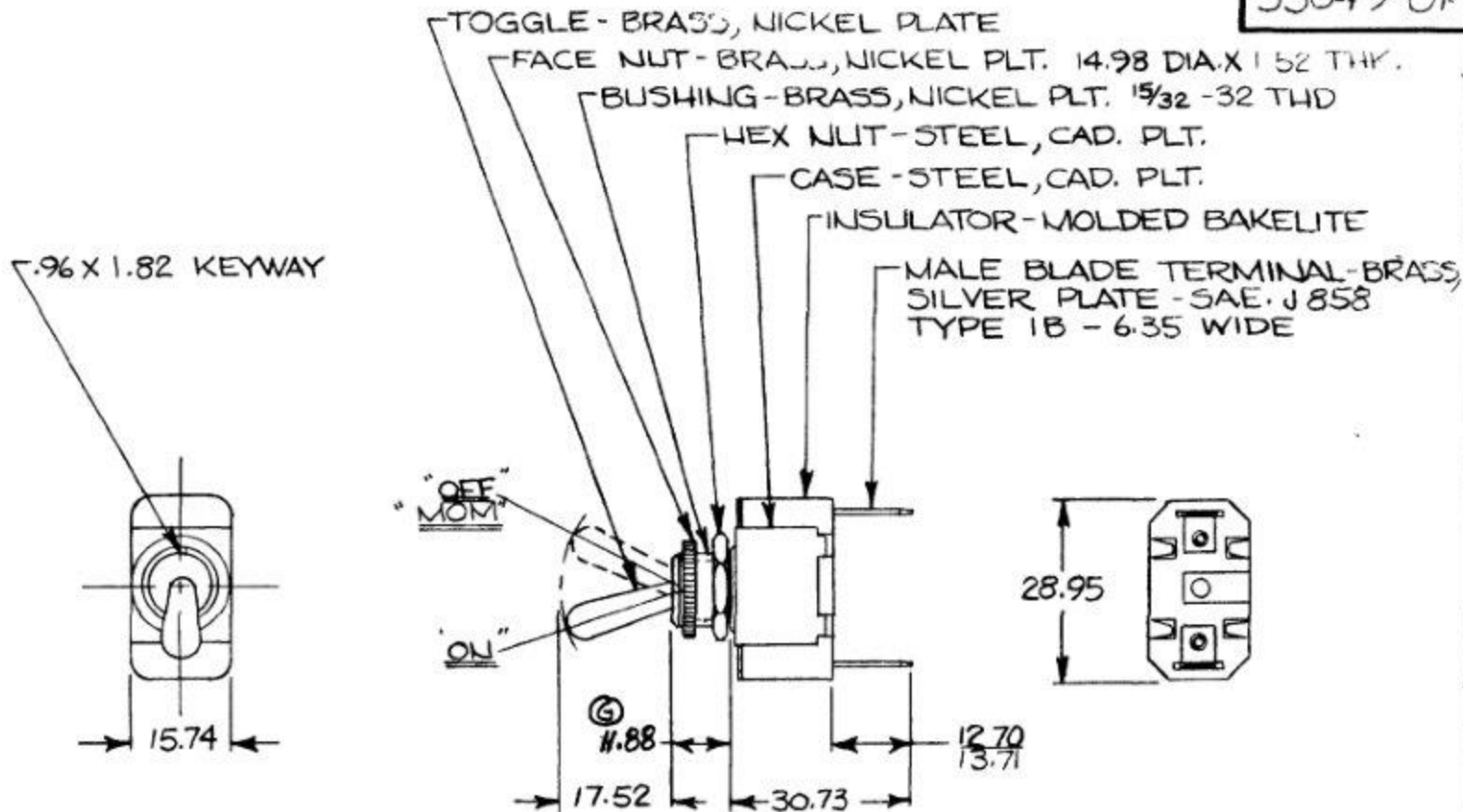
CH-188(4-78)

COLE-HERSEE CO.

MM	IN
.96	.038
1.52	.060
1.82	.072
2.54	.100
3.18	.125
3.81	.150
4.76	.188
5.71	.225
6.35	.250
7.62	.300
8.89	.350
10.16	.400
12.70	.500
15.74	.625
17.52	.690
20.32	.800
25.40	1.000
30.48	1.200

EX 14806

55049-01



NOTE:
 (H) SILVER CONTACT SURFACES

METRIC

25 AMPS - 12 VOLTS D.C.
EXTRA HEAVY DUTY

DO NOT SCALE

LET	WAS	DATE	BY	LET	WAS	DATE	BY	MATERIAL	DRAWN	CHECKED	APPR'D	SCALE	55049 WITH SHORTER TOGGLE	DATE DRAWN			
									MF.			1:1		6-2-67			
								FINISH	COLE-HERSEE COMPANY BOSTON, MASS. 02127, U.S.A. SINGLE POLE SINGLE THROW TOGGLE SWITCH				DATE BLUEPRINT				
				H		ADD NOTE/25932	9/15/92	TJH									
				G		ECW24871	8/5/94	WT									
				F		REL'DRAW.N	2-9-76	SV	TOLERANCES FRACTIONAL ± DECIMAL ± .005					55049-01			

COLE-HERSEE CO.

55052-01

TOGGLE-BRASS NICKEL PLT

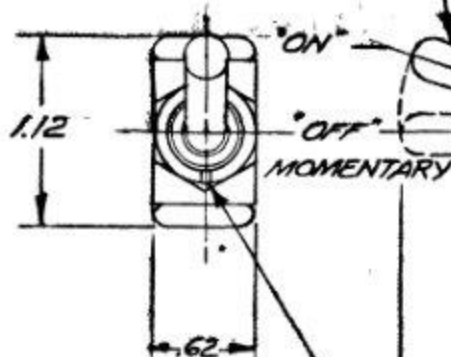
BUSHING-BRASS NICKEL PLT $\frac{15}{32}$ -32 THD

FACE NUT-BRASS NICKEL PLT .59 D. X .06 THK.

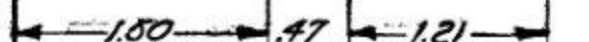
HEX NUT-STEEL-CAD PLT

INSULATOR-MOLDED B'LITE

2 MALE BLADE TERMINALS-BRASS
SAE J858 TYPE 1B - .25 WIDE



.012 X .038 DEEP KEYWAY



NOTES:
1 SINGLE POLE MOMENTARY
2 SILVER CONTACT SURFACES

(25A-12V)

DO NOT SCALE

LET	WAS	DATE	BY	LET	WAS	DATE	BY	MATERIAL	DRAWN	CHECKED	APPR'D	SCALE	55052 ASSEMBLY WITH LONGER TOGGLE. (E)	DATE DRAWN				
								NOTED	ECW			FULL		9-15-67				
								FINISH	COLE-HERSEE COMPANY BOSTON, MASS. 02127, U.S.A.					DATE BLUEPRINT				
							NOTED											
				F	ADD NOTE/25432	9/15/42	TJH											
				E	ADDED 18033	3-16-75	Y	TOLERANCES	TOGGLE SWITCH					55052-01				
				D	RE-DRAWN NO CHANGE	12-7-72	JB	FRACTIONAL ±										
								DECIMAL ±.01										

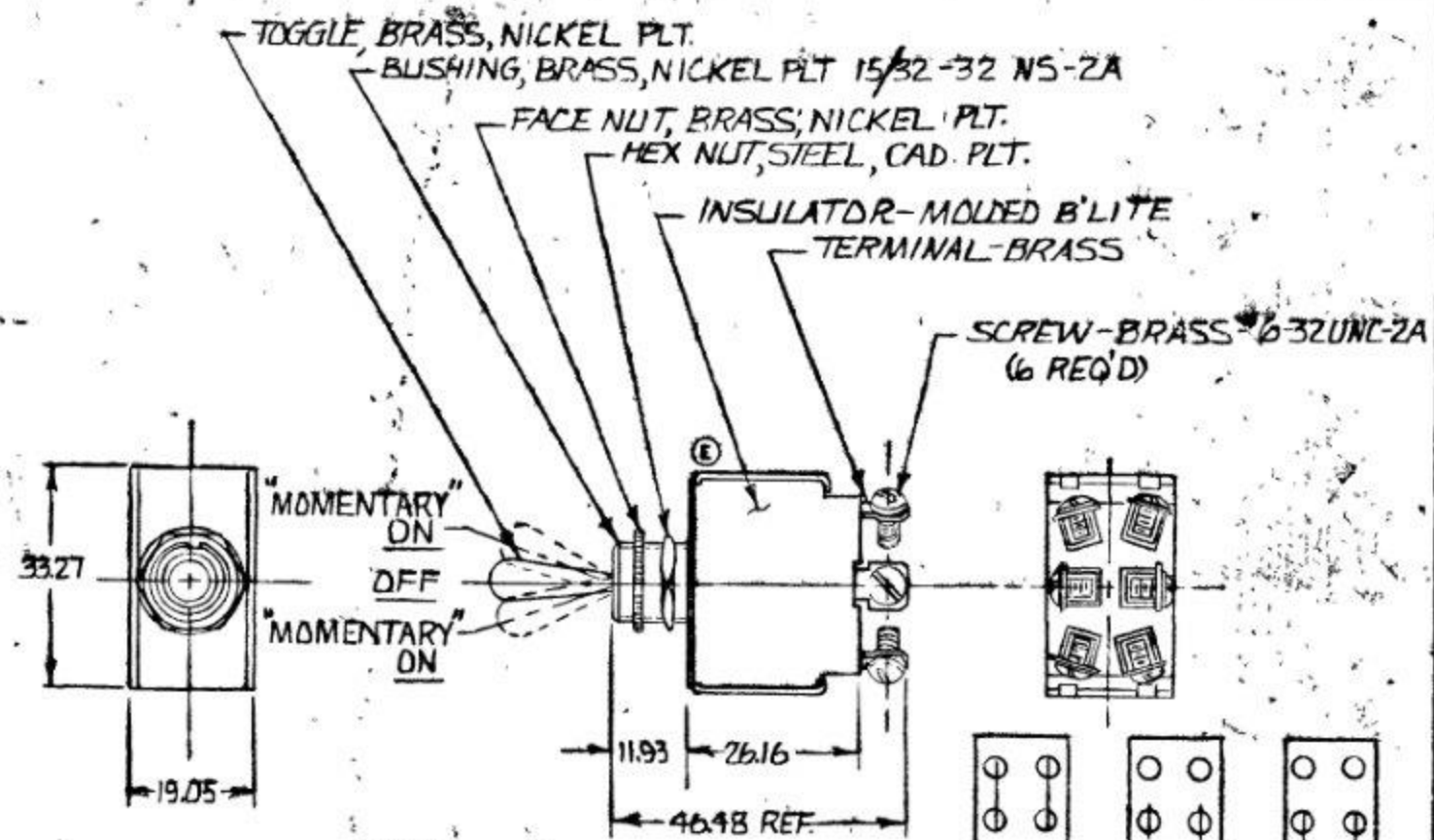
SPAULDING CO., INC 47570

55054

0.25	.010
0.50	.015
1.52	.060
11.93	.470
14.98	.590
19.05	.750
26.16	1.030
33.27	1.310
46.48	1.850

BLADE

COLE-HERSEE CO.



NOTE:
 25 AMP @ 12VDC
 (E) SILVER CONTACT SURFACES

METRIC

CIRCUIT DIAGRAM

DO NOT SCALE

LET	WAS	DATE	BY	LET	WAS	DATE	BY	MATERIAL	DRAWN	CHECKED	APPR'D	SCALE	DATE DRAWN
									HF	7		1-1	2-24-67
								FINISH	COLE-HERSEE COMPANY BOSTON, MASS. 02127, U.S.A.				DATE BLUEPRINT
				F	ADD NOTE/25432	7/15/93	TJH						
				E	VIEW/23007	3/14/86	WV	TOLERANCES	"MOMENTARY" D.P.D.T. TOGGLE SWITCH				55054
				D	ADD METRIC	7/11/77	WV	FRACTIONAL ±					
								DECIMAL ±	±.025				

WPAULDING CO., INC. 21-5353

55054-04

BUSHING-BRASS NICKEL PLT.
1/32-32 UN5-2A

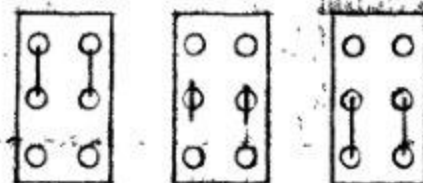
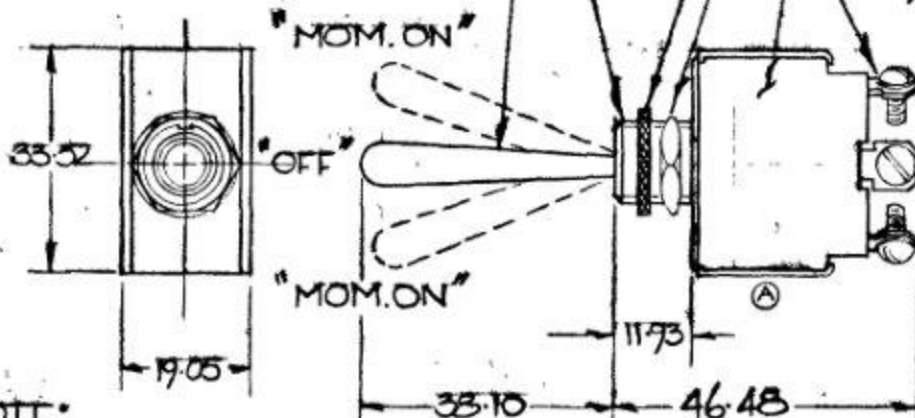
TOGGLE-BRASS
NICKEL PLATE

FACE NUT-BRASS-NICKEL PLT.

HEX NUT-STEEL

INSULATOR-MOLDED B'LITE

TERMINAL-BRASS &
SCREW-BRASS, 6-32 UN5-2A
X 6.35 LG.



MOM. ON OFF MOM. ON

CIRCUIT DIAGRAM:

NOTE:

ALL STEEL PARTS EITHER
ZINC PLT W/ DICHRIMATE DIP OR
CAD. PLT.

25 AMP @ 12 VDC

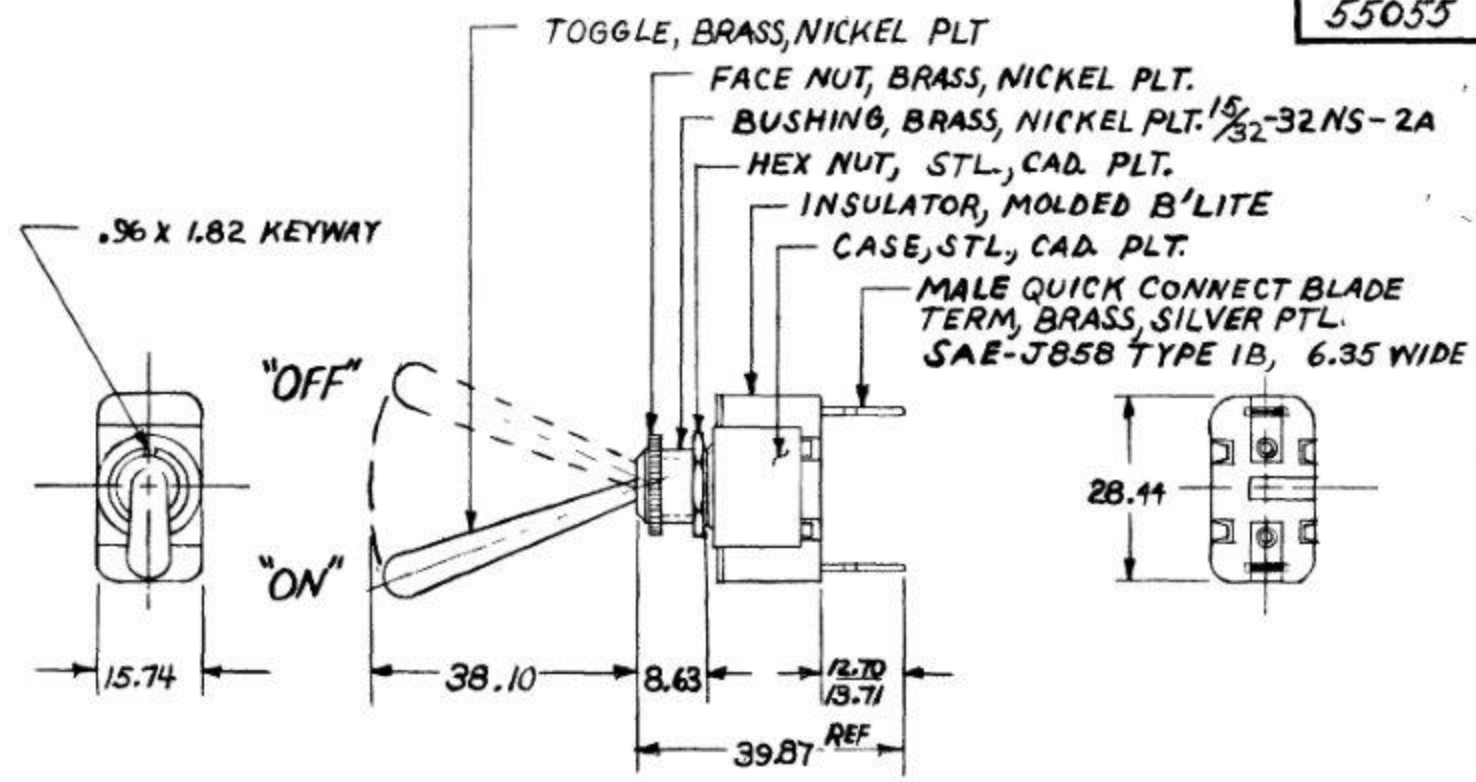
DO NOT SCALE

LET	WAS	DATE	BY	LET	WAS	DATE	BY	MATERIAL	DRAWN	CHECKED	APPR'D	SCALE	BASIC WITH LONG	DATE DRAWN
													TOGGLE & 1/4" SCREWS	2-23-77
								FINISH						DATE BLUEPRINT
								TOLERANCES	COLE-HERSEE COMPANY BOSTON, MASS. 02127, U.S.A.					
							FRACTIONAL ±	MOMENTARY D.P.D.T.					55054-04	
							DECIMAL ±.25	ISSUED	TOGGLE SWITCH.					

SPAULDING CO., INC 21-5353

MM IN.
 18.63 .34
 13.10 .52
 38.10 1.50
 39.87 1.57
 28.44 1.12
 15.74 .62

55055



NOTE
 (F) SILVER CONTACT SURFACES

25 AMP., 12 VOLTS D.C.
 EXTRA HEAVY DUTY

METRIC

DO NOT SCALE

LET	WAS	DATE	BY	LET	WAS	DATE	BY	MATERIAL	DRAWN	CHECKED	APPRV D	SCALE	DATE DRAWN
									NB	3-4-80		1:1	5-15-67
								FINISH					DATE BLUEPRINT
								TOLERANCES	Cole Hersee Co <small>NO. 22 0 1 0007 902 04 02 2 0</small>				
				F	ADD NOTE/25432	8/15/93	T,N	DECIMAL ±					S.P.-S.T. TOGGLE SW.
				E	REDRAWN	1-8-80	K6	METRIC ±					

CH 188(4 78)

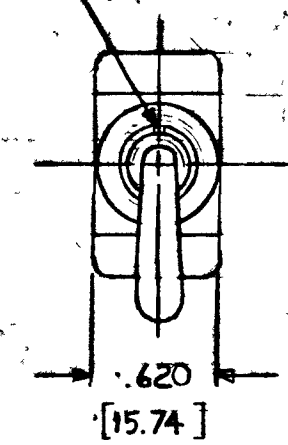
COLE-HERSEE CO.

N.P.M. 7-30-7
EX. 16942A

BLUE BIRD BODY CO. 150-0759902

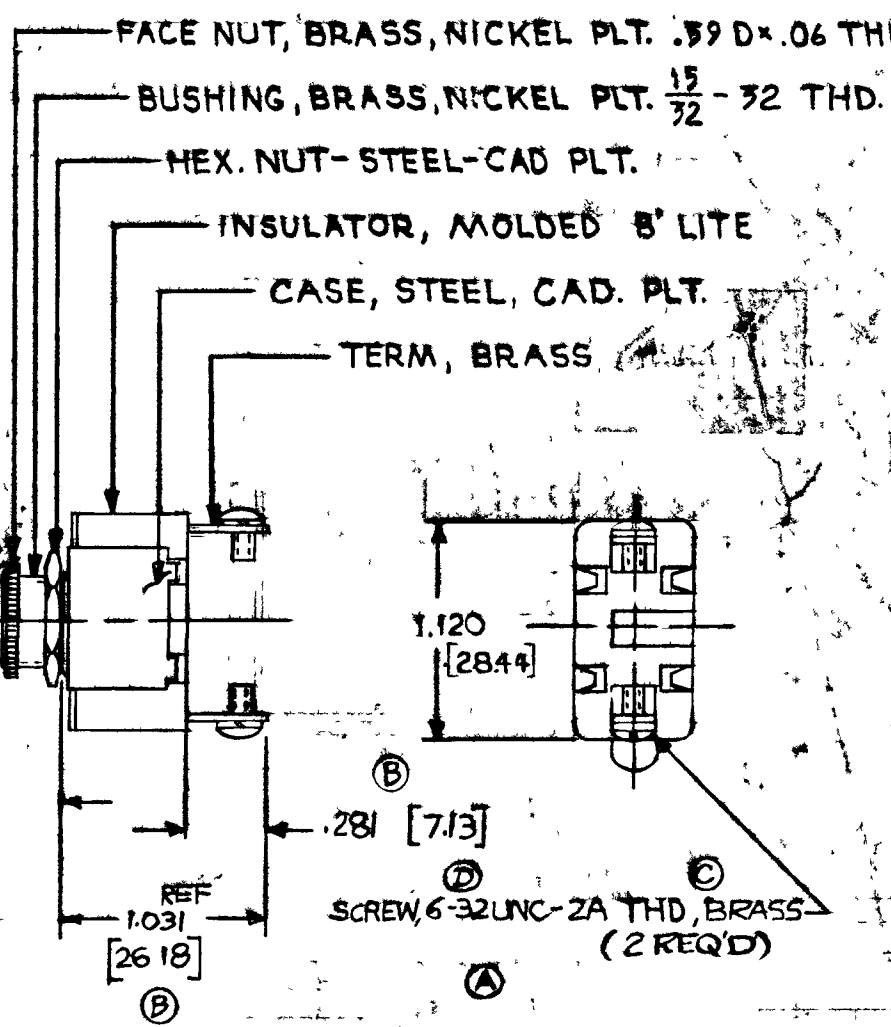
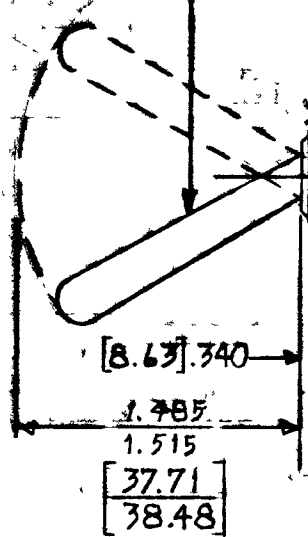
NOTE
(E) SILVER CONTACT SURFACES

.038 x .072 KEYWAY
[0.95] [1.82]



OFF

ON



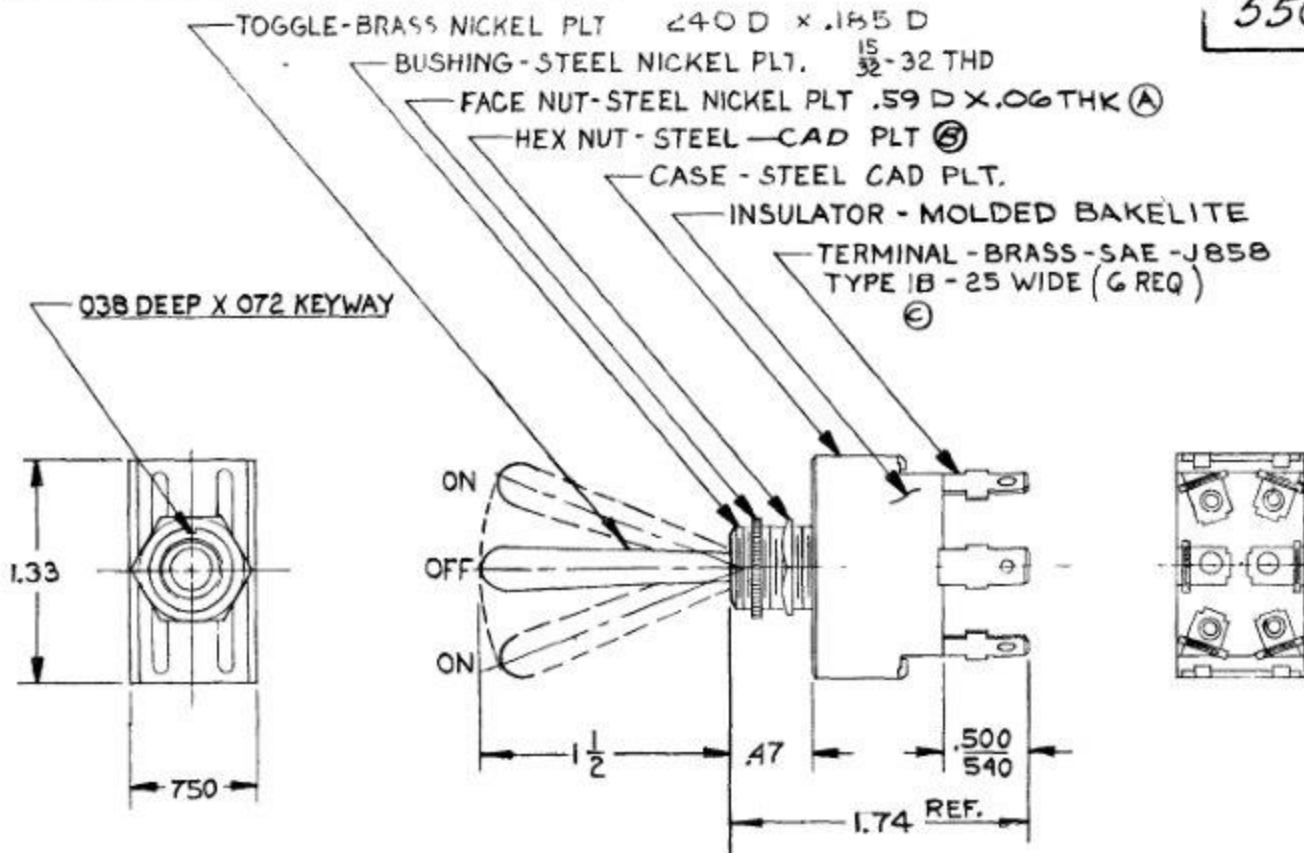
SCREW, 6-32UNC-2A THD, BRASS (2 REQ'D)

25 AMPS-12 VOLTS D.C.
EXTRA HEAVY DUTY

DIMENSIONS IN INCHES [MILLIMETERS]

DO NOT SCALE

LET	WAS	DATE	BY	LET	WAS	DATE	BY	MATERIAL	DRAWN	CHECKED	APPR'D	SCALE	BASIC EXCEPT	DATE DRAWN
				D	ECN 25002	12-11-91	AF	NOTED	DE	RM		1:1	W/SCREW TERMS	7-24-74
				C	REV/21349	3-23-81	CE	FINISH						DATE BLUEPRINT
				B	REV/20054	1-3-78	JAV							
				A	LWA OH DELETED/19393	4-9-76	Y	TOLERANCES						
E	ADD NOTE/25432	9/16/93	JH		ISSUED	8-1-74	Y	FRACTIONAL ±	COLE-HERSEE COMPANY					
								DECIMAL ±.010	BOSTON, MASS. 02127, U.S.A.					
									SP.-ST. TOGGLE SW.				55055-0	

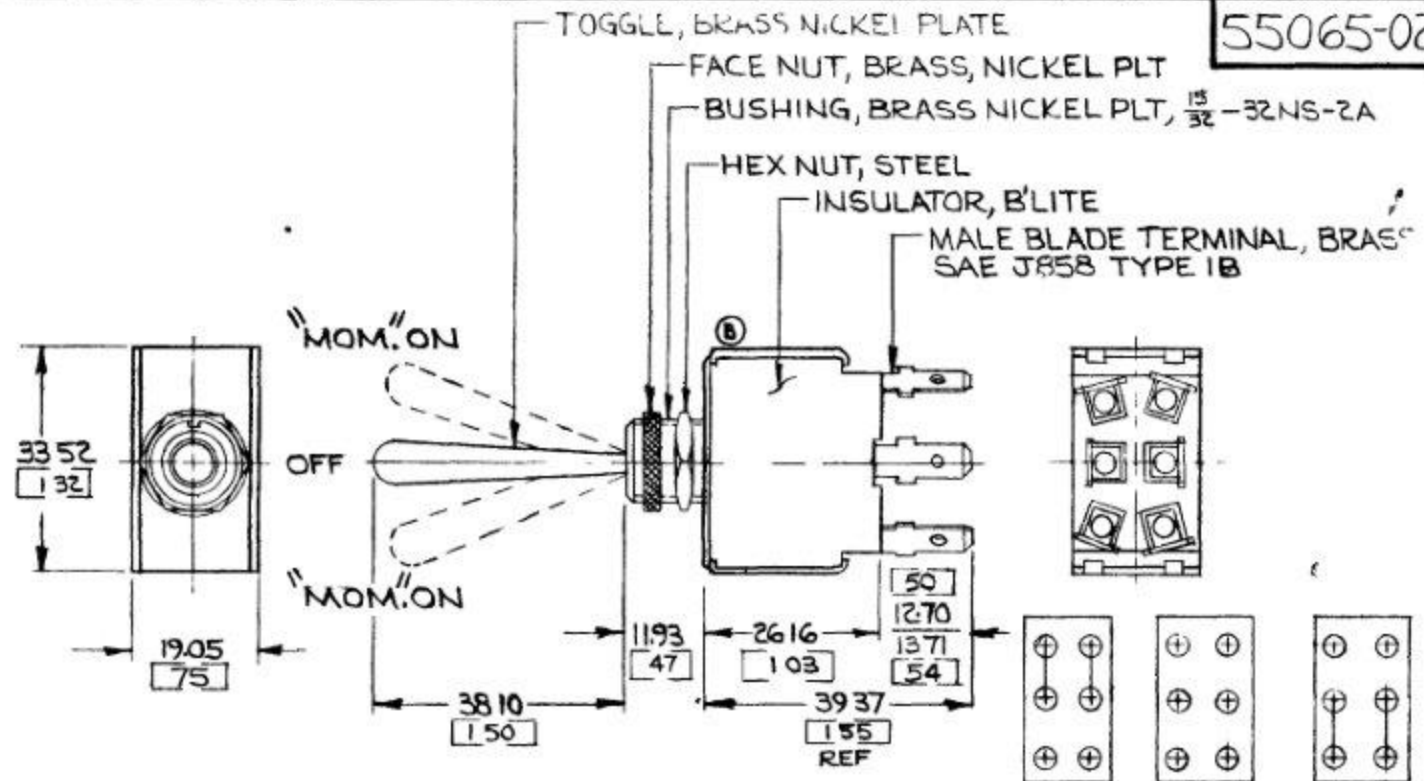


25 AMPS 12 VOLTS D.C.
EXTRA HEAVY DUTY

DO NOT SCALE

LET	WAR	DATE	BY	LET	WAR	DATE	BY	MATERIAL	DRAWN	CHECKED	APPR V B	SCALE	USED ON	DATE DRAWN
								NOTED	NB.	JW		1X		5-15-67
				C	IA	16541	3-25-67	FINISH						DATE ISSUED
				B	NICKL FLATE	16294	11-21-68							
				A	ADDFD DIM	16093	5-29-68	TOLERANCES						
					ISSUED		5 18 67	FRACTIONAL ± 015 DECIMAL ± 010	NAME	L.P.D.T. "ON-OFF-ON" TOGGLE SWITCH			PART NO 55057	

55065-02



CIRCUIT DIAGRAM

NOTES:
 1 ALL STEEL PARTS EITHER ZINC PLT,
 DICHROMATE DIP OR CAD PLT
 2 SILVER CONTACT SURFACES

25 AMP @ 12 V.D.C

DIMENSIONS · MILLIMETERS [INCHES]

DO NOT SCALE

LET	WAS	DATE	BY	LET	WAS	DATE	BY	MATERIAL	DRAWN	CHECKED	APPR'D	SCALE	DATE DRAWN
								—H—	E	12/10/75		1:1	2-21-74
				C	ADD NUTS/25432	7/15/93	TJH	FINISH	COLE-HERSEE COMPANY BOSTON, MASS 02127, U.S.A.				DATE BLUEPRINT
				B	REVISE /23007	3/14/86	AK	—H—					
					ISSUE D	12/10/75	TY	TOLERANCES	MOMENTARY DPDT TOGGLE SWITCH				55065-02
				A	REDRAWN	2-8-75	KG	FRACTIONAL ±					
								DECIMAL ± 01					

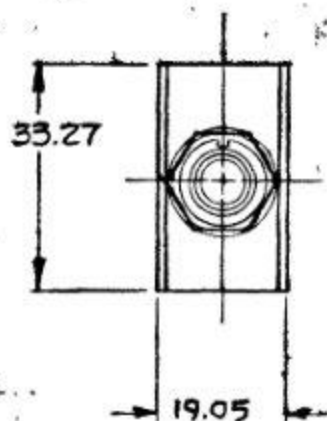
COLE-HERSEE CO.

EX 16621

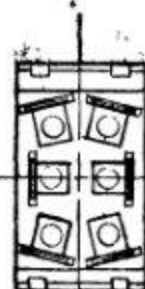
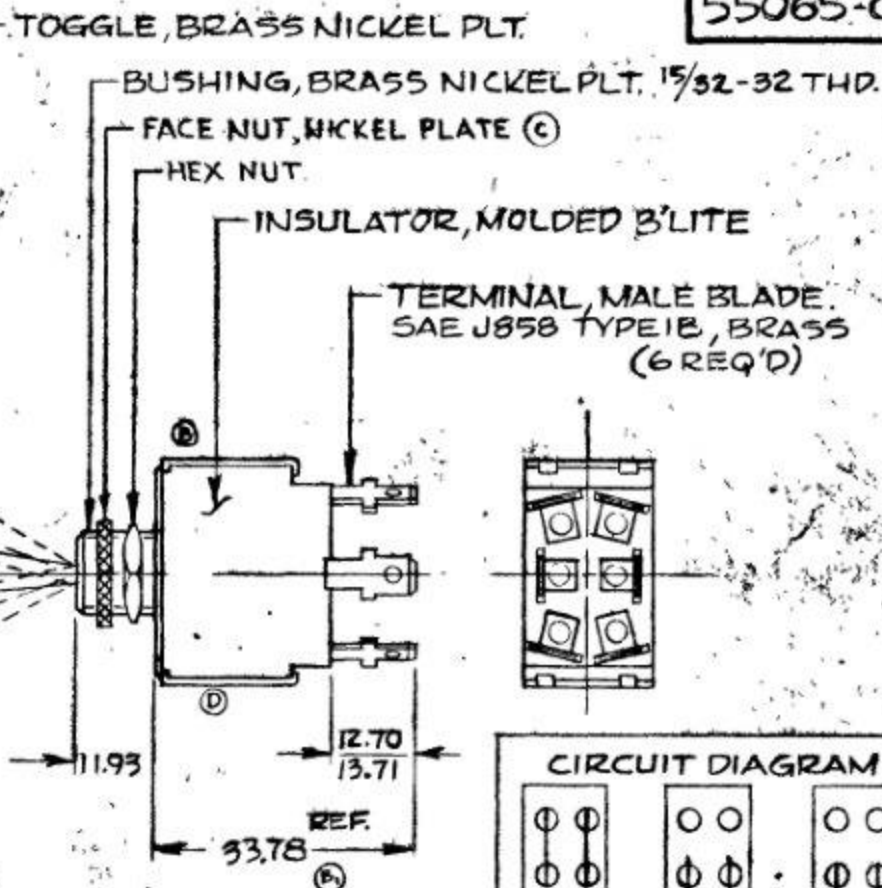
12.70	1010
15.71	1470
19.05	500
22.70	540
27.05	750
33.27	1310
39.57	1950

VOLTS	RESISTIVE	INDUCTIVE
12 VDC	25 AMPS	15 AMPS
24 VDC	15 AMPS	8 AMPS

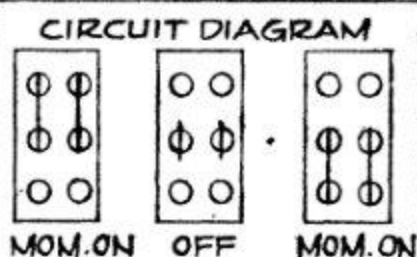
55065-03



MOM. ON
OFF
MOM. ON



- NOTES:
- 1) NO. POLES-2
 - 2) NO. THROWS-2
 - 3) TYPE SEALING-NONE
 - 4) ALL STEEL PARTS PLATED
 - 5) SILVER CONTACT SURFACES



METRIC

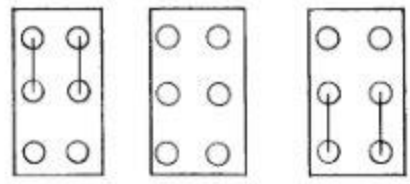
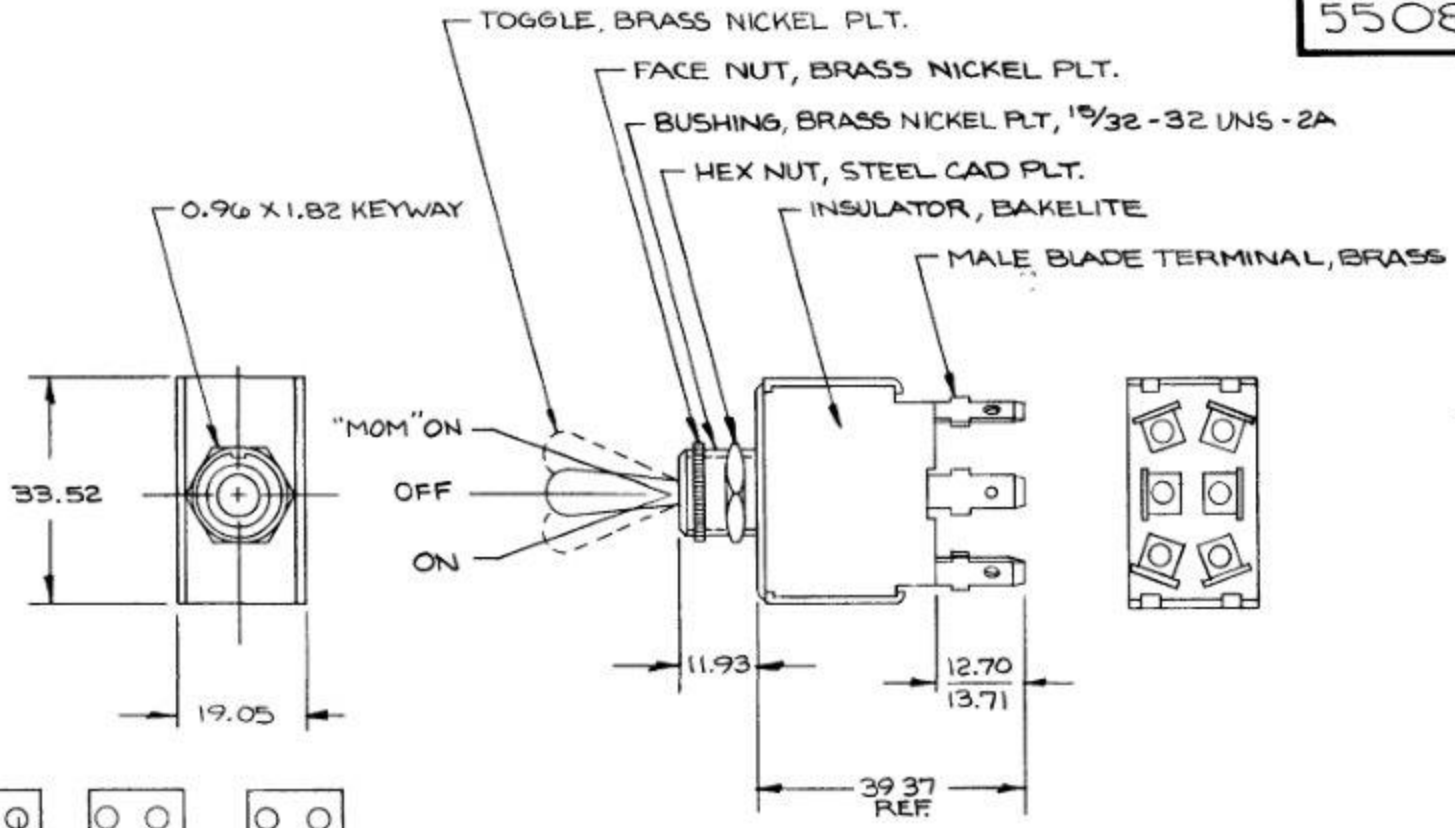
DO NOT SCALE

LET	WAS	DATE	BY	LET	WAS	DATE	BY	MATERIAL	DRAWN	CHECKED	APPR'D	SCALE	BASIC, WITH SHORT TOGGLE.	DATE DRAWN
				C	ADD FILE LIST 22957	1-24-76	RJF	#	RJF	1/1	9-8-76	1:1		8-27-76
				B1	WAS 3937REV			FINISH	COLE-HERSEE COMPANY BOSTON, MASS. 02127, U.S.A.					DATE BLUEPRINT
				B	CHANGE CASE / 22791	6-17-76	AK	#						
				E	ADD NUTS / 25432	4/18/73	TH	TOLERANCES	MOMENTARY D.P.D.T. TOGGLE SWITCH					55065-03
				D	REV. L E VIEW / 23007	3/14/76	AK	FRACTIONAL * DECIMAL ±.25						

SPAULDING CO., INC. 21-56481

55081

"MM	IN
0.25	.010
0.96	.038
1.82	.072
11.93	.470
12.70	.500
13.71	.540
19.05	.750
33.52	1.320
39.37	1.55



"MOM"ON OFF ON
CIRCUIT DIAGRAM

25 AMP @ 12VDC METRIC

NPM EX-18163

DO NOT SCALE

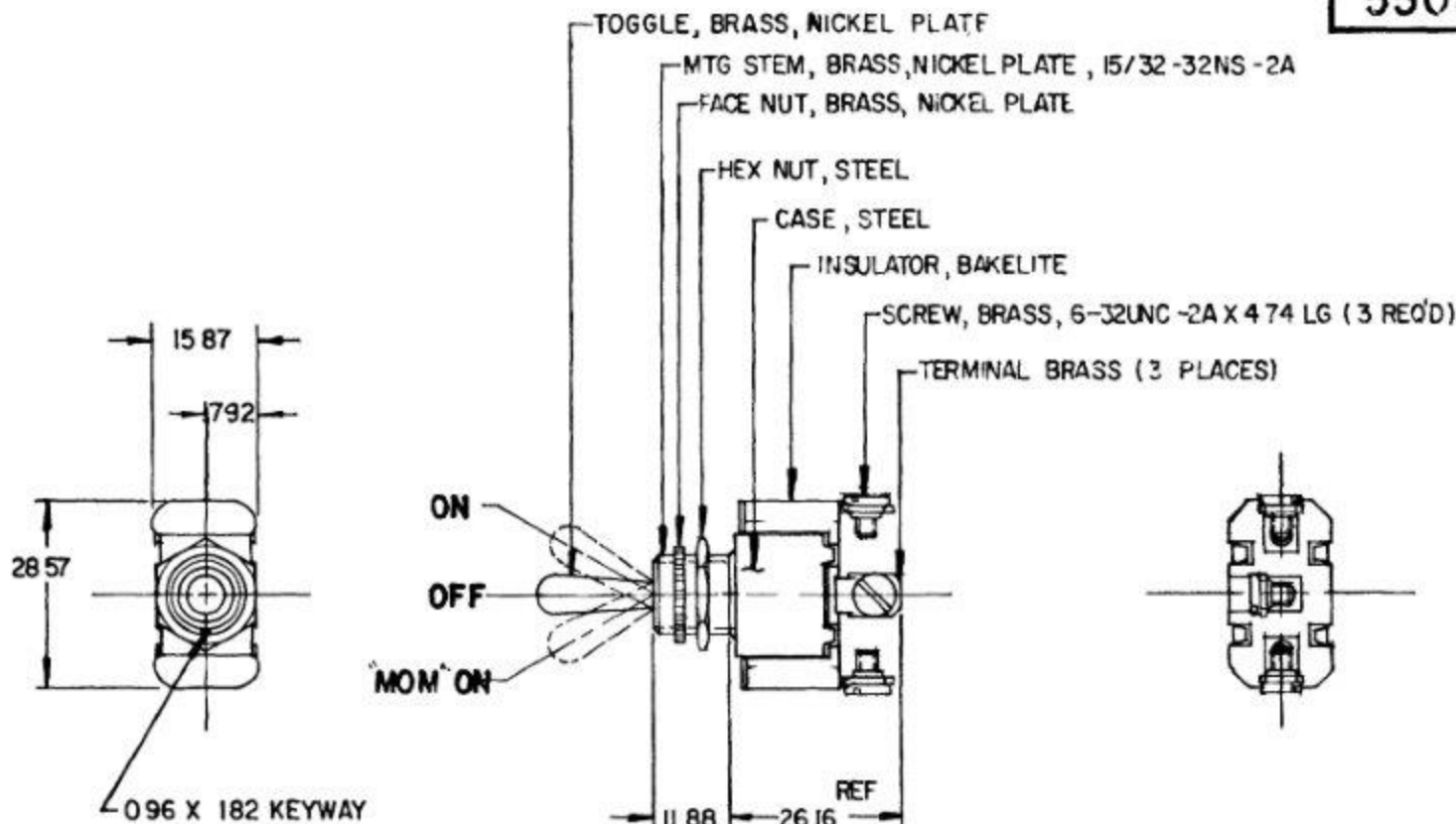
LET	WAS	DATE	BY	LET	WAS	DATE	BY	MATERIAL	DRAWN	CHECKED	APPR'D	SCALE	DATE DRAWN
								<i>[Signature]</i>	EA	<i>[Signature]</i>		1:1	3-28-78
								FINISH					DATE BLUEPRINT
								TOLERANCES	 MOMENTARY D.P.D.T. TOGGLE SWITCH				55081
							DECIMAL ±						
				B	REDRAWN	8/1/88	UK	METRIC ± .25					

CH-188(4-78)

MM	IN
0.25	.010
0.96	.038
1.82	.072
4.74	.187
7.92	.312
11.88	.468
15.87	.625
24.16	.950
28.57	1.125

NPM 8-6-79
EX-18424

55088



RATING	
24V	10 AMPS
12V	25 AMPS

METRIC

NOTE :

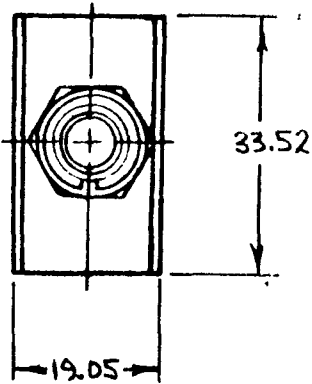
- 1 ALL STEEL PARTS EITHER ZINC PLATE W/ DICHROMATE DIPOR CADMIUM PLATE
- ① 2 SILVER CONTACT SURFACES

DO NOT SCALE

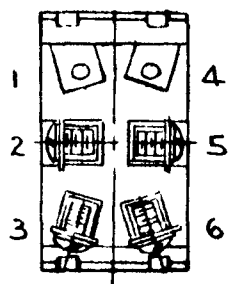
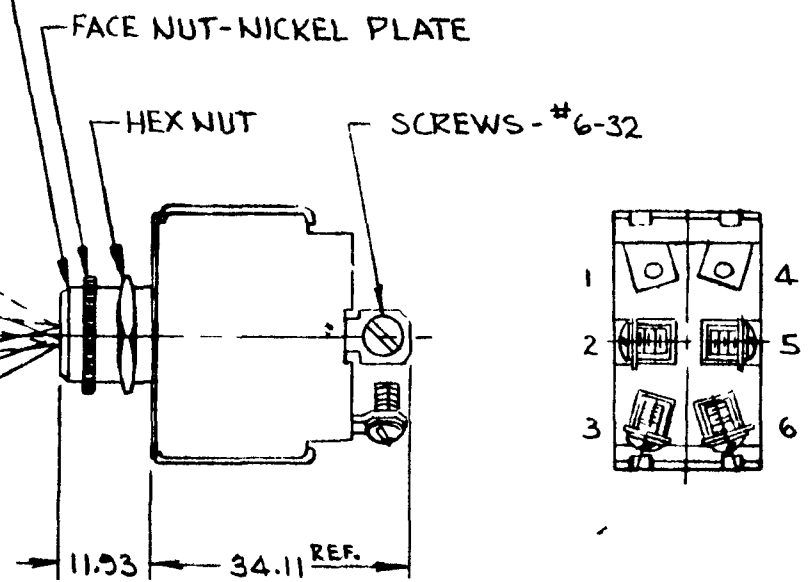
LET	WAS	DATE	BY	LET	WAS	DATE	BY	MATERIAL	DRAWN	CHECKED	APPRVD	SCALE	DATE DRAWN
								—	JAV	✓		1:1	7-20-79
								FINISH					7-20-79
								TOLERANCES	 Cole Hersee Co. <small>1150 COLONY AVENUE SOUTH BOSTON MA 02127</small>				DATE BLUEPRINT
								DECIMAL ±					SP - D.T. TOGGLE SWITCH
								METRIC ±0.25					

CH-188(4-78)

EX 23668



MOM. ON
293 596
ON
293
OFF



NOTES:
1. SILVER CONTACTS
2. 25 AMPS @ 12V DC LAMP LOAD
3. ALL STEEL PARTS PLATED

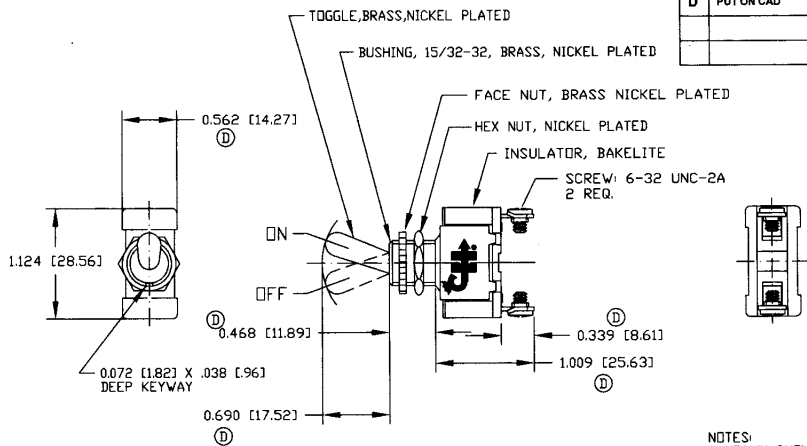
METRIC

DO NOT SCALE

LET	WAS	DATE	BY	LET	WAS	DATE	BY	MATERIAL	DRAWN	CHECKED	APPR'D	SCALE	DATE DRAWN
								—	RJF	AF		1:1	11-9-89
								FINISH	Cole Hersee Co. <small>20 OLD COLONY AVENUE SOUTH BOSTON MA 02127</small>				DATE BLUEPRINT
								TOLERANCES					
								DECIMAL ±	SWITCH, TOGGLE, 3 POS.				55094
								METRIC ±					
					ISSUED	1-24-90	AF						

Revision Control Record

Rev.	Description of Change	ECN No.	Date
D	PUT ON CAD	D5039	01/04/06



- NOTES:
1. HEAVY DUTY SILVER CONTACTS
 2. NEOPRENE O-RING IN BUSHING
 3. ALL STEEL PARTS ZINC PLATED
 4. SWITCH RATING: 12V/25A; 24V/15A

Tolerances: Unless otherwise specifically noted, the following are default tolerances:
 * 3-Place Decimal Dimensions $\pm .005$
 * 2-Place Decimal Dimensions $\pm .002$
 * Angular Dimensions ± 0.001
 * Metric: Refer to equivalent English Dimension Tolerance
 *** NOTE: All tolerances are Non-Cumulative. ***

Dimensional Units: All dimensions are expressed in inches except those shown in brackets (XX) are expressed in millimeters

USE OF DIMENSIONAL TOLERANCES: Non-Toleranced Reference Dimension, shown for identification purposes only.
 Used On: of Ref.

PROPRIETARY INFORMATION: This Engineering Drawing, and the information contained herein, is proprietary to Cole Hersee Company and may not be disclosed, reproduced, or in any other way transmitted or communicated to any other party without the express written consent of a authorized representative of Cole Hersee Company.

DESIGN CONTROL: It is the responsibility of the individual using / reviewing this drawing to ensure that the stated design intent herein agrees with the revision level of the Controlled Document (Master Drawing). This is a NON-CONTROLLED DOCUMENT unless otherwise specifically noted.

DO NOT SCALE: Dimensional variation may occur during printing / reproduction.
 Drawn By: EA
 Date Drawn: 2/27/87

Special Characteristics:
 Critical Characteristics, relating to Safety and/or Regulatory Compliance
 Significant Characteristics (relating to Process Control (SPC))
 Key Characteristics (relating to Form - Fit - Function as defined by Cole Hersee Company and/or the Customer)

Here the identification of any Characteristics as being "Special" does not alter the requirement that ALL specified dimensions & tolerances must be met.

Responsible Engineer: GAUGUSTE Pg. 1 of 1

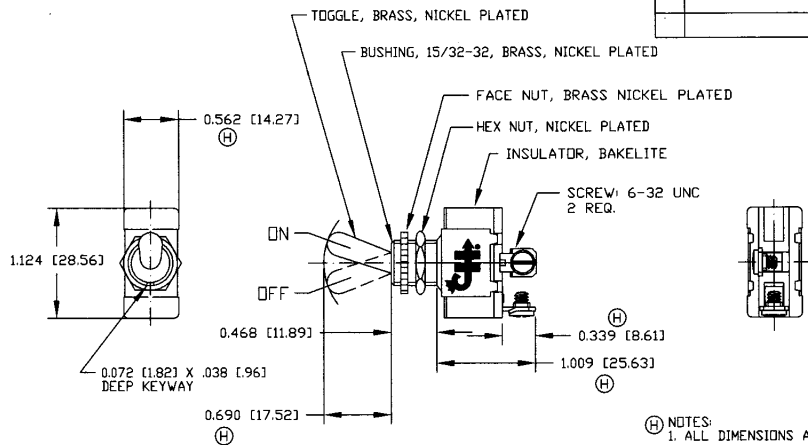
Cole Hersee Co.
 20 Old Colony Ave., South Boston, MA, 02127
 Phone 617-388-2100 Web www.colehersee.com

Description: SWITCH, TOGGLE . SPST

Drawing / Part No.: 5520
 Current Rev.: D

Revision Control Record

Rev.	Description of Change	ECN No.	Date
H	PUT ON CAD	D5083	D1/04/05



- (H) NOTES:
 1. ALL DIMENSIONS ARE REFERENCE
 2. ALL STEEL PARTS ARE ZINC PLATED
 3. SILVER CONTACT SURFACES.
 4. SWITCH RATING: 25A/12V; 15A/24V

Tolerances: Unless otherwise specifically noted, the following are default tolerances:
 * 2-place Decimal Dimensions $\pm .02$ "
 * 3-place Decimal Dimensions $\pm .005$ "
 * Angular Dimensions ± 1.0 Deg.
 * Metric: Refer to equivalent English Dimension Tolerance
 * * * NOTE: All tolerances are Non-Cumulative, <<<

Dimensional Note: All dimensions are expressed in inches except those shown in brackets () are expressed in millimeters

REF. to an Attribute, CL = Non-Toleranced Reference Dimension, shown for clarification purposes only.

PROPRIETARY INFORMATION: This Engineering Drawing, and the information contained herein, is proprietary to Cole Horse Company and may not be disclosed, reproduced, or in any other way transferred or communicated to any other party without the express written consent of a authorized representative of Cole Horse Company.

DESIGN CONTROL: It is the responsibility of the individual using / referencing this drawing to ensure that the noted design revision level agrees with the revision level of the Controlled Document (Master Drawing). This is a NON-CONTROLLED DOCUMENT unless otherwise specifically noted.

DO NOT SCALE: Dimensional variation may occur during printing / reproduction.

Special Characteristics:
 (C) Critical Characteristics, relating to Safety and/or Regulatory Compliance
 (X) Significant Characteristics relating to Process Control (SPC)
 (K) Key Characteristics, relating to Form - Fit - Function as defined by Cole Horse Company and/or the Customer

(Note that the identification of any Characteristics as being "Special" does not alter the requirement that ALL specified dimensions & tolerances must be met.)

Responsible Engineer: GAUGLUSTE Pg. 1 of 1

Cole Horse Co.
 20 Old Colony Ave., South Boston, MA, 02127
 Phn: 617-362-2100 Web: www.colehorse.com

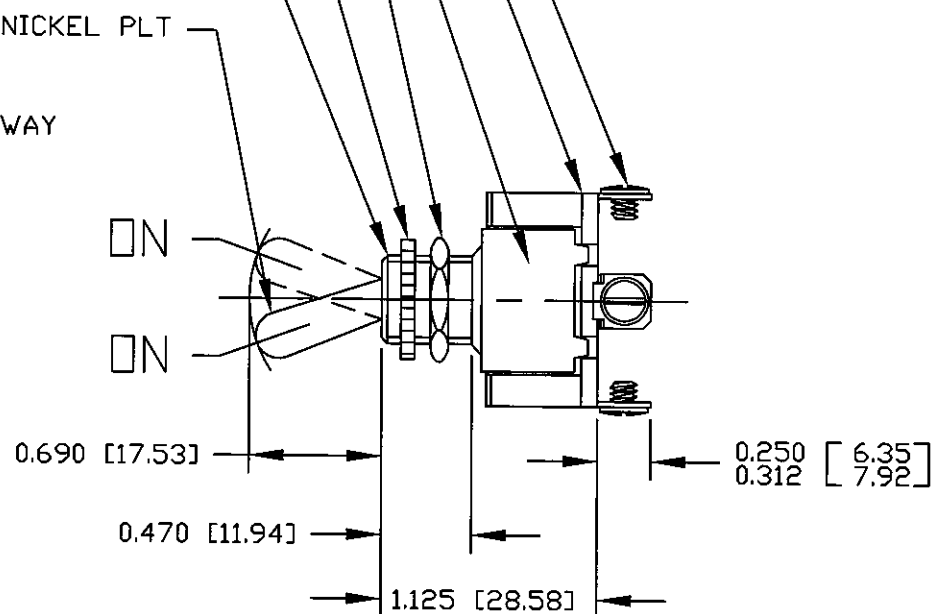
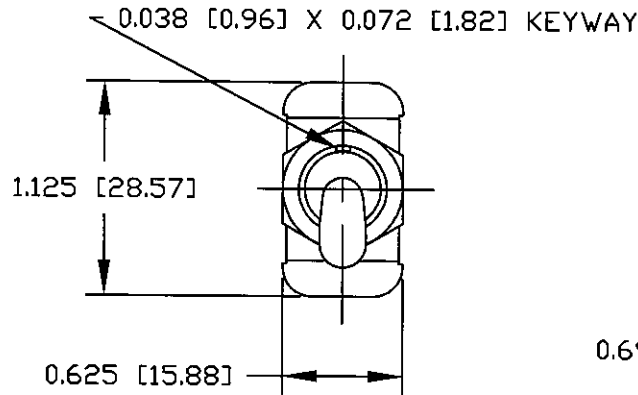
Description: SWITCH, TOGGLE . SPST OFF-ON

Drawing / Part No.: 5582 Current Rev.: H

Revision Control Record

Rev.	Description of Change	ECN No.	Date
H	NOTE CHANGE	09002	01/14/08

- SCREW, 6-32UNC-2A THD, BRASS (3 REQ'D)
- INSULATOR, BAKELITE
- CASE, STEEL
- HEX NUT, STEEL
- FACE NUT, BRASS, NICKEL PLT.
- Ⓜ BUSHING, 15/32-32 UNS-2A THD, BRASS, NICKEL PLT.
- TOGGLE, BRASS, NICKEL PLT



- Ⓜ NOTES:
1. ALL STEEL PARTS PLATED
 2. SILVER CONTACT SURFACES
 3. ALL DIMENSIONS REFERENCE ONLY EXCEPT OTHERWISE NOTED
 4. 25AMP @ 12VDC

Tolerances Unless otherwise specifically noted, the following are default tolerances:

2-places +/- 0.02"
3-places +/- 0.005"
Angular +/- 1'

Metric: Shown in [] refers to equivalent English Dim Tol

"REF." or an Asterisk (*) = Non-Toleranced Reference Dimension, shown for clarification purposes only.

NOTE: All tolerances are Non-Cumulative.

PROPRIETARY INFORMATION
 This Engineering Drawing, and the information contained herein, is proprietary to Cole Hersee Company and may not be disclosed, re-produced, or in any other way transferred or communicated to any other party without the express written consent of an authorized representative of Cole Hersee Company.

Special Characteristics:

- Critical Characteristic, relating to Safety and/or Regulatory Compliance
- Significant Characteristic relating to Process Control
- Control Dimension relating to Form - Fit - Function as defined by Cole Hersee Company and/or the Customer



Cole Hersee Co.

20 Old Colony Ave., South Boston, MA, 02127
 Phn: 617-268-2100 Web: www.colehersee.com

Description:

SPDT TOGGLE SW

Drawing / Part No.:

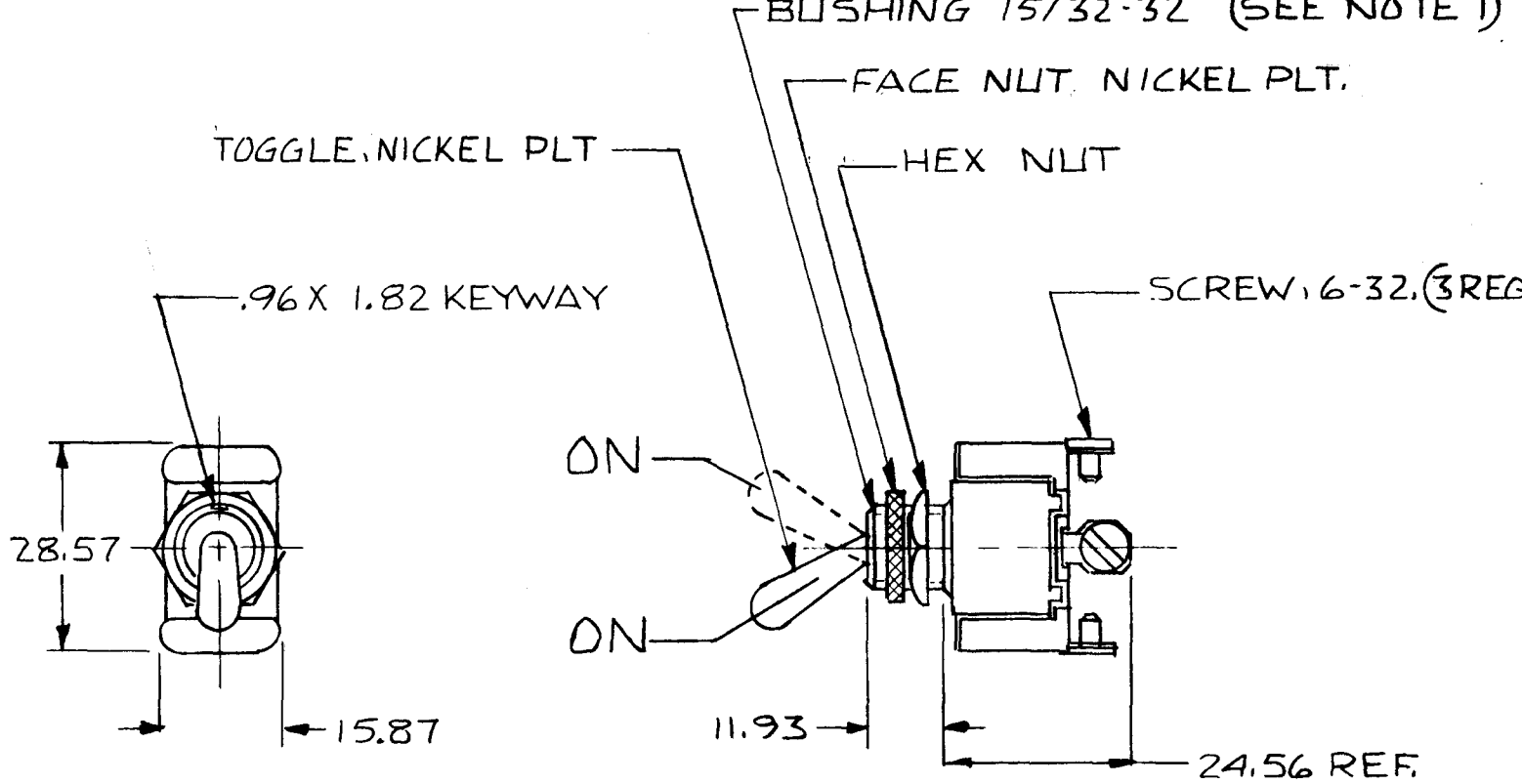
5584

Current Rev.

H

.96 .038
1.82 .072


EX20268



NOTES
 1. O-RING SEAL AT BUSHING
 2. ALL STEEL PARTS PLATED

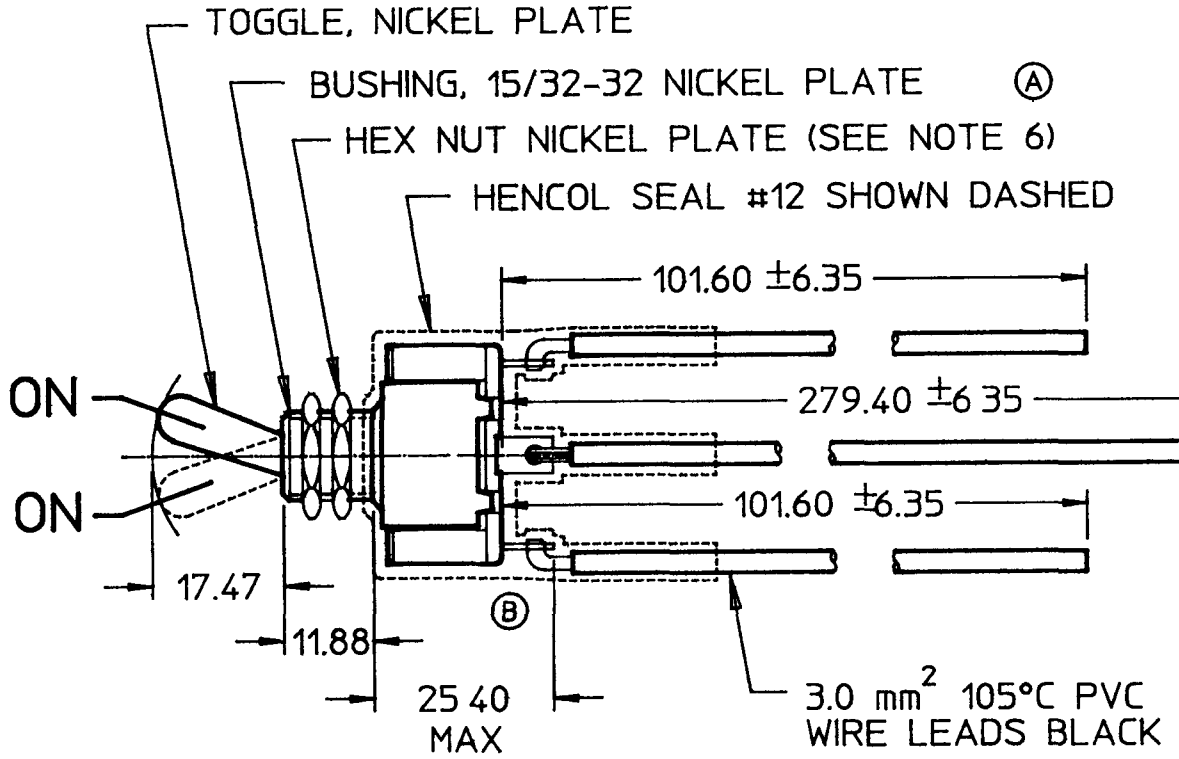
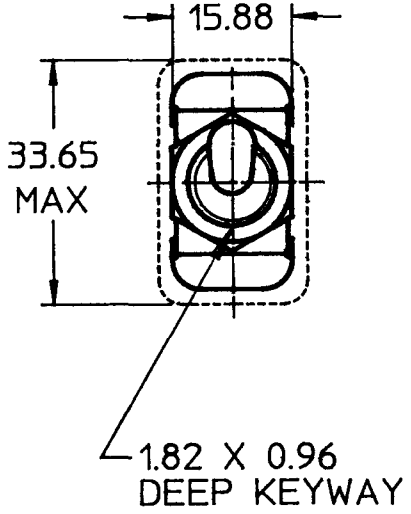
METRIC 25 AMPS @ 12 VDC

DO NOT SCALE

LET.	WAS	DATE	BY	LET	WAS	DATE	BY	MATERIAL	DRAWN	CHECKED	APPR'D.	SCALE	DATE DRAWN
									PS	RFB		1:1	6-17-8
								FINISH	 Cole Hersee Co. <small>26 OLD COLONY AVENUE, SOUTH BOSTON, MA. U.S.A. 02127</small>				DATE BLUEPRINT
								TOLERANCES					
								DECIMAL ±	S.P.D.T. TOGGLE SW				5584-
							METRIC ±						
					ISSUED	6/17/83	RFB						

CH-188(4-78)

0.25	0.010
0.96	0.032
1.82	0.072
6.35	0.250
11.88	0.468
15.88	0.625
17.47	0.688
25.40	1.000
33.65	1.325
101.60	4.000
279.40	11.000
3.0 mm ²	12 GA

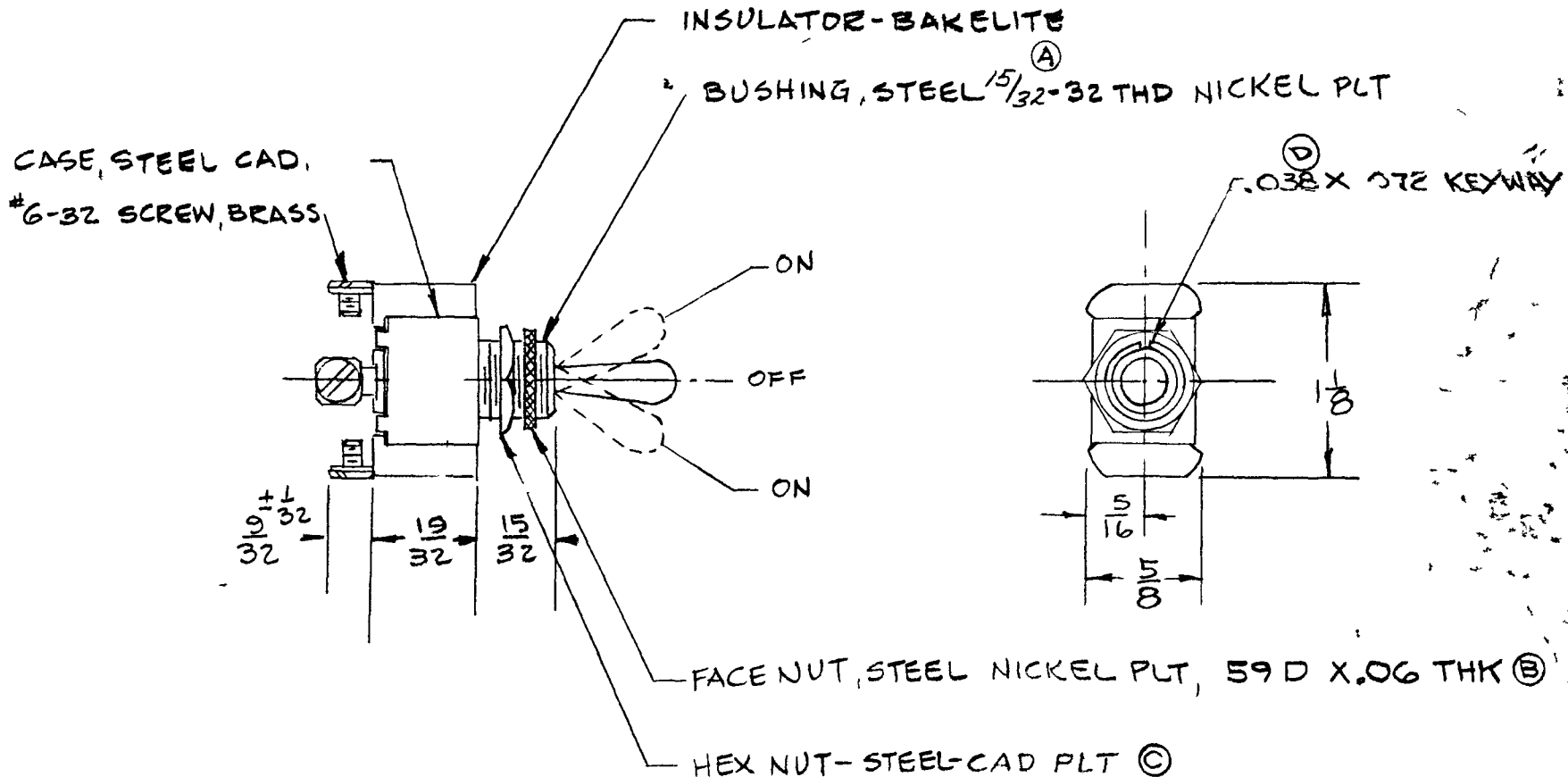


- NOTES:
1. SILVER CONTACTS
 2. 25 AMPS @ 12VDC LAMP LOAD
35 AMPS @ 12VDC INDUCTIVE LOAD
 3. O-RING SEAL IN BUSHING
 4. ALL STEEL PARTS PLATED
 5. ALL DIMENSIONS REFERENCE
 6. 1 HEX NUT ASSEMBLED
1 HEX NUT SHIPPED LOOSE

METRIC

DO NOT S

LET	WAS	DATE	BY	LET	WAS	DATE	BY	MATERIAL	DRAWN	CHK	APVD	SCALE	EX25260	DATE DRAWN
									BL			1:1		4/13/93
				B	ECN #25389	6/15/93	MJT	FINISH	Cole Hersee Co. 20 OLD COLONY AVENUE, BOSTON, MA, U.S.A. 02127					DATE BLUEPRINT
				A	ECN 25385	6/9/93	BL	TOLERANCES METRIC ± 0.25 ANGLE ±						SWITCH, TOGGLE SPDT
					ISSUED	4/22/93	AF							

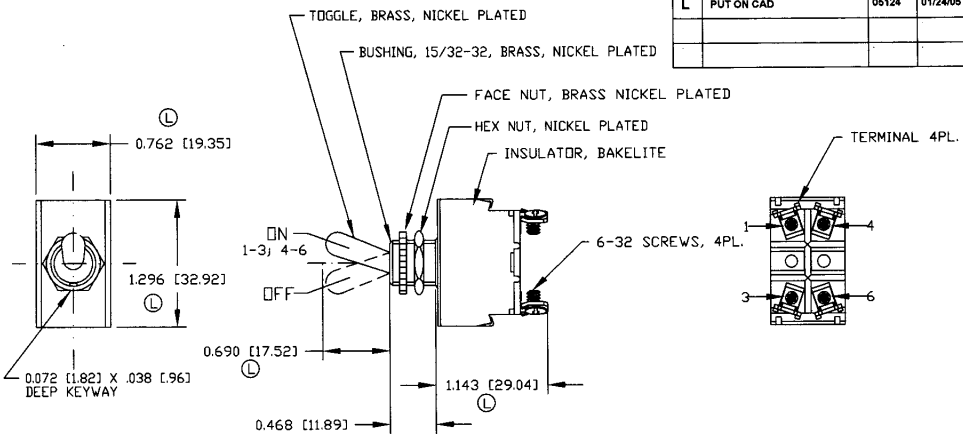


Ⓒ NOTE
SILVER CONTACT SURFACES

LET	WAS	DATE	BY	LET	WAS	DATE	BY	MATERIAL	DRAWN	CHECKED	A P R V D	SCALE	USED ON	DATE DRAWN
				E	ADD NUT	25432	9/15/93	JL		GFC		1"=1"		2-3-54
				D	03X 06 KEYWAY	17537	1-4-72							DATE ISSUED
				C	NICKEL PLT	16294	11-22-68							
				B	ADDED DIM	16093	5-29-68							
				A	7/16-32		10-29-57							
TOLERANCES FRACTIONAL ± DECIMAL ±									NAME SINGLE POLE, DOUBLE THROW TOGGLE SWITCH					PART NO 5586
COLE-HERSEE COMPANY BOSTON 27 MASS U S A														

Revision Control Record

Rev.	Description of Change	ECN No.	Date
L	PUT ON CAD	06124	01/24/05



- Ⓛ NOTES:
 1. ALL DIMENSIONS ARE REFERENCE
 2. ALL STEEL PARTS ZINC PLATED
 3. SILVER CONTACT SURFACES
 4. SWITCH RATING: 12V/25A; 24V/15A

Tolerances: Unless otherwise specifically noted, the following are default tolerances:
 * 2-place Decimal Dimensions ±.02"
 * 3-place Decimal Dimensions ±.005"
 * Angular Dimensions ±.12 Deg.
 * Metric: Refer to equivalent English Dimension Tolerance
 >>> NOTE: All tolerances are Non-Cumulative <<<

Dimensional Units: All dimensions are expressed in inches except those shown in brackets [mm] are expressed in millimeters

REF. or an Attach. C. = Non-Toleranced Reference Dimension, shown for identification purposes only.

Used On:
 or Ref.:

PROPERTY OF ORIGIN: This Engineering Drawing, and the information contained herein, is proprietary to Cole Hersee Company and may not be disclosed, reproduced, or in any other way transmitted or communicated to any other party without the express written consent of an authorized representative of Cole Hersee Company.

DESIGN CONTROL: It is the responsibility of the individual using/ referring this drawing to ensure that the noted design revision level agrees with the revision level of the Controlled Document (Master Drawing). This is a NON-CONTROLLED DOCUMENT unless otherwise specifically noted.

DO NOT SCALE: Dimensional relations may occur during printing/ reproduction.

Special Characteristics:

- ⊠ Critical Characteristics, relating to Safety and/or Regulatory Compliance
- ⓧ Significant Characteristics relating to Process Control (SPC)
- Ⓞ Key Characteristics relating to Form - Fit - Function as defined by Cole Hersee Company and/or the Customer

(Note that the identification of any Characteristics as being "Special" does not alter the requirement that ALL specified dimensions & tolerances must be met.)

Responsible Engineer: G.AUGUSTE

Cole Hersee Co.
 20 Old Colony Ave., South Boston, MA, 02127
 Phone: 617-288-2100 Web: www.colehersee.com

Description:
 SWITCH, TOGGLE . DPST ON-OFF

Drawing / Part No.:
 5588

Current Rev.:
 L

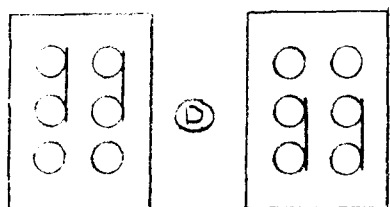
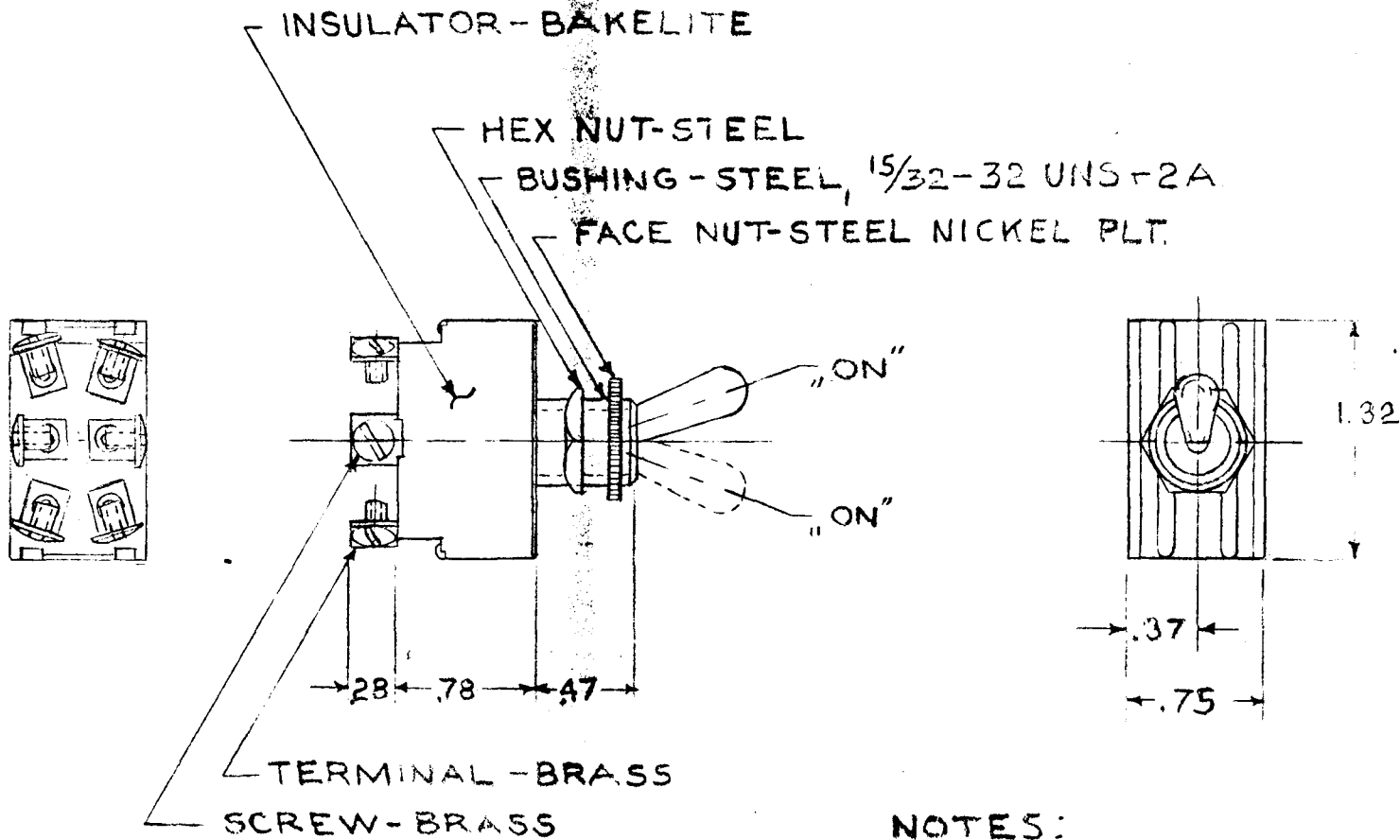
Drawn By: JP Date: 12/31/87
 Responsible Engineer: G.AUGUSTE Pg. 1 of 1

Scale: 1:1

Drawn By: JP Date: 12/31/87

Responsible Engineer: G.AUGUSTE Pg. 1 of 1

COLE-HERSEE CO.



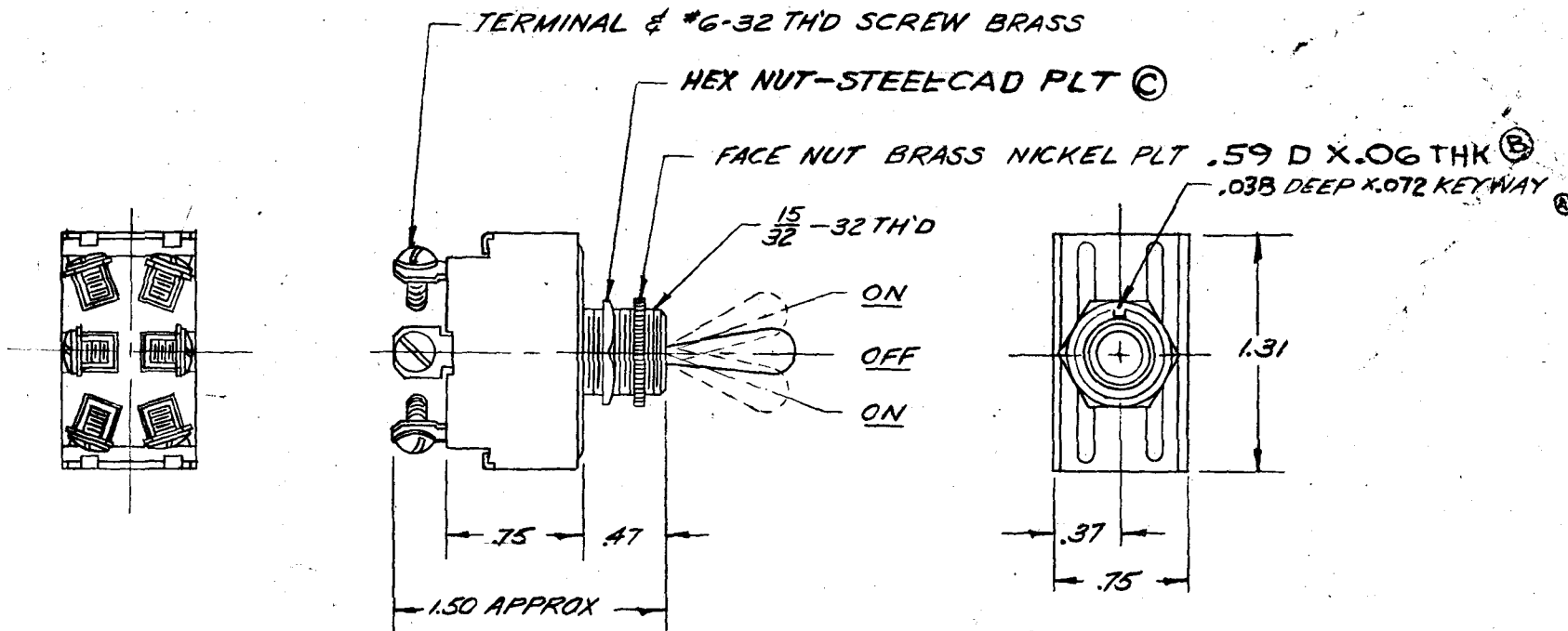
SCHEMATIC

- NOTES:**
1. DOUBLE POLE - DOUBLE THROW
2 POSITIONS - BOTH "ON" - 6 SCREW TYPE TERMINALS.
 2. ALL STEEL PARTS PLATED
 - ③ 3 SILVER CONTACT SURFACES.

DO NOT SCALE

LET	WAS	DATE	BY	LET	WAS	DATE	BY	MATERIAL	DRAWN	CHECKED	APPR'D.	SCALE	DATE DRAWN
								—	EHD			1=1	6-18-59
								FINISH	COLE-HERSEE COMPANY				DATE BLUEPRINT
								—	BOSTON, MASS. 02127, U.S.A.				
				E	ADD NOTE/25932	9/15/53	TJH						
				D	ADDED DIAGRAM	9/20/53	EFB	TOLERANCES	TOGGLE SWITCH ASS'Y				5590
				C	REDRAWN NO CHANGE	5.13.70	FB	FRACTIONAL $\pm .015$ DECIMAL $\pm .010$					

COLE-HERSEE CO.



NOTE:

© SILVER CONTACT SURFACES

LET	WAS	DATE	BY	LET	WAS	DATE	BY	MATERIAL	DRAWN	CHECKED	APPR'VD	SCALE	USED ON	DATE DRAWN
								—	JP			1/1		10-23-58
				D	ADD NOTE/25432	9/15/93	JH	FINISH	COLE-HERSEE COMPANY BOSTON 27, MASS., U. S. A.					DATE ISSUED
				C	BRASS NICKEL 16294	11-25-68	INB:							
				B	ADDED DIM 16093	5-29-68	JH	TOLERANCES	NAME D.P.D.T. "ON-OFF-ON" TOGGLE SWITCH					PART NO.
				A	.03 x .06 KEYWAY 13832	1-17-64	B	FRACTIONAL ±.015 DECIMAL ±.010						

X-ON Electronics

Largest Supplier of Electrical and Electronic Components

Click to view similar products for [Pushbutton Switches](#) category:

Click to view products by [Littelfuse](#) manufacturer:

Other Similar products are found below :

[LW1L-M1C10V-A](#) [LW2L-A1C20M-GD](#) [LW2L-M1C20M-A](#) [60324L](#) [M7E-HRN2](#) [67021K512](#) [67081K512X](#) [701PB580](#) [719-5504-000](#)
[MDPSSGLFS](#) [810KSV30B](#) [FLT 2U EE 01A](#) [MML21KA3ABK](#) [MML23KA3AC05K-001](#) [MML23KW3AA01W](#) [8418K2](#) [8646AB6X718UL](#)
[8646ABUL](#) [FSDWH](#) [9001KXRK](#) [9001T8BK](#) [9533CD4+U574+U4922](#) [1203MRA](#) [A22EM01S](#) [A595](#) [1202A6](#) [12037A2ULCSA](#) [1203A2UL](#)
[ABD122N-B](#) [1211390004](#) [ABN111-Y](#) [ABN400-R](#) [1211500044](#) [1211580012](#) [1212MRA](#) [1232A6NF](#) [RA3CSH6A](#) [1241.1183.7047](#)
[1241.2511](#) [1241.3428](#) [1223A2ULCSA](#) [1223MRA](#) [1232AX2119](#) [1241.1183.8000](#) [1241.1183.8029](#) [1241.2506](#) [1241.2606](#) [12MA6](#)
[1301940184](#) [RELBARF6X10\(PLASTIC\)](#)