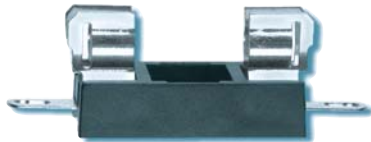
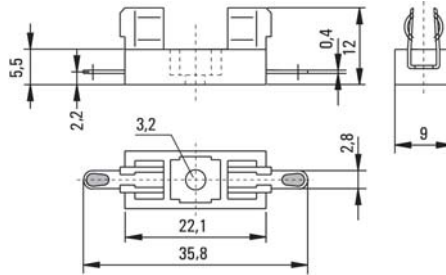


MINIATURE FUSEHOLDERS

Holder / No. 647



Cable Type, 5x20mm Fuses lead free



Specifications

Packaging

Bulk (1000 pcs.)

Mounting

Ø3mm screw hole

Terminals

Solderable or 2.8mm quick connect - fits 0.5mm tabs

Materials

Holder: Black Thermoplastic, UL94 V-0
Polyamide PA 6.6

Metal Parts: Copper alloy,
solderable, tinned

Electrical Data (23°C)

Rated Voltage: 250V

Max. current/power: 6.3A/2.5W

6.3A/1.6W (with No. 640)

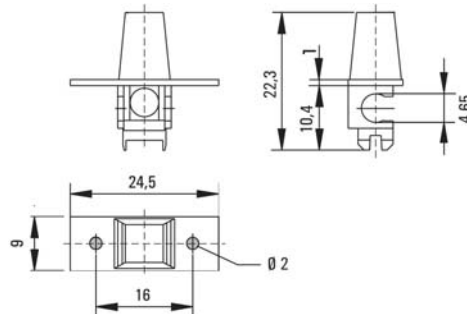
Minimum Cross Section

Conducting path - 2.5mm²

Unit Weight

1.7g

Adapter / No. 640



Mounting

Hand adapter can be optionally used with
Holder No. 646 and 647

Materials

Adapter: Polyester PBT,
UL94 V-0

Unit Weight

1.0g

Packaging

Bulk (5000 pcs.)

Colours

Adapter black	100
Adapter brown	140
Adapter white	150
Adapter yellow	160
Adapter green	170
Adapter blue	190

Contact WICKMANN for an auto-insertable
fuse, holder and adapter assembly.

Contact WICKMANN for an auto-insertable
fuse, holder and adapter assembly.

Order Information

Qty.	Order Number	Series		Colour
		647	0000	

Specifications are subject to change without notice

Note: 1.00 means the number one with two decimal places. 1,000 means the number one thousand.

X-ON Electronics

Largest Supplier of Electrical and Electronic Components

Click to view similar products for [Fuse Holder](#) category:

Click to view products by [Littelfuse](#) manufacturer:

Other Similar products are found below :

[570-290-741P40](#) [570-290-751P40](#) [020417G](#) [020418E](#) [6R30A1B](#) [F600A3B](#) [80910030](#) [8601.2020](#) [G15A2SPQ](#) [9-3557-GP REV A](#) [HDJ-B](#)
[R6J30A3S](#) [HFH-1](#) [RF30A2B](#) [RF30A3SP](#) [15600-08-10](#) [BK/FHN19G](#) [BK/HHM](#) [BK/HKP-CCHH](#) [BK/HKP-JJ](#) [BK/HTJ-LES-FUSE](#) [HMG-](#)
[241](#) [HTJ-LES-FUSE](#) [C4044-1](#) [2086-1](#) [2193](#) [2602](#) [2650](#) [178.000100](#) [FHN31G1](#) [T30A2B](#) [G4PB8](#) [2660](#) [2799](#) [CQ-209V](#) [HKP-CCHH](#)
[R6F30A2S](#) [341001A](#) [345621A](#) [CVRMCC](#) [4202](#) [4407](#) [4408](#) [4413](#) [4423](#) [4532](#) [4537](#) [TSD1404-12](#) [BK/FHN31G1](#) [BK/HC-5](#)