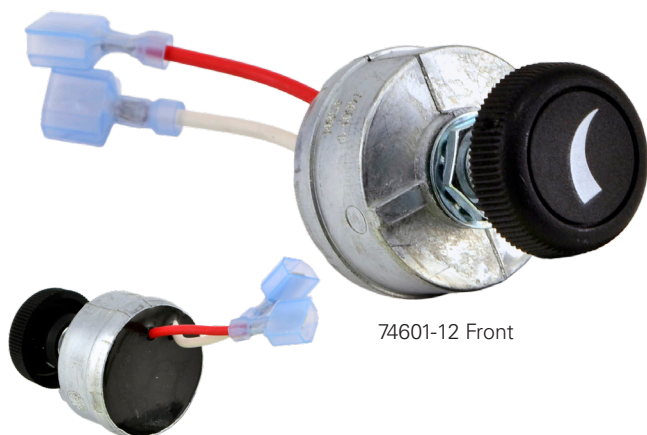


# ELECTRONIC DIMMER SWITCHES

7A • 12V DC • Diecast Plated Steel



74601-12 Front

74601-12 Back

## Description

Littelfuse Dimmer Switches are designed for universal applications within interior environments. Their mounting, body, and actuator features are designed for ease-of-use and extended product lifecycle.

The Electronic Dimmer Switch series is designed for variable signal intensity for interior vehicle lighting.

## Applications

- Construction Equipment
- Agricultural Equipment
- Material Handling Equipment
- Commercial Vehicles

## Web Resources

Download 2D print and technical resources at:  
[littelfuse.com/electronicdimmers](http://littelfuse.com/electronicdimmers)

## Ordering Information

PART NUMBERS	DESCRIPTION	MOUNTING	VOLTAGE RATING	ACTUATOR	POSITIONS	TERMINATION
74601-01 *	Universal Dimmer Switch with Stripped Leads	Hex Nut through 7/16 (11.11mm)-28 Panel Hole	7A at 12V DC	Black Knob with Variable Dimmer Symbol	Variable: Dim - Bright	2 stripped 18AWG leads
74601-12	Universal Dimmer Switch with Terminated Leads	Hex Nut through 7/16 (11.11mm)-28 Panel Hole	7A at 12V DC	Black Knob with Variable Dimmer Symbol	Variable: Dim - Bright	2 18AWG leads, each terminated in TE Connectivity Terminal 3-520106-2

\* Box and Retail Blister Pack Available



Visit [Littelfuse.com](http://Littelfuse.com) for the most up-to-date product information. Littelfuse products are designed for specific applications and should not be used for any purpose (including, without limitation, automotive applications) not expressly set forth in applicable Littelfuse product documentation. Warranties granted by Littelfuse shall be deemed void for products used for any purpose not expressly set forth in applicable Littelfuse product documentation. Littelfuse shall not be liable for any claims or damages arising out of products used in applications not expressly intended by Littelfuse as set forth in applicable Littelfuse product documentation.

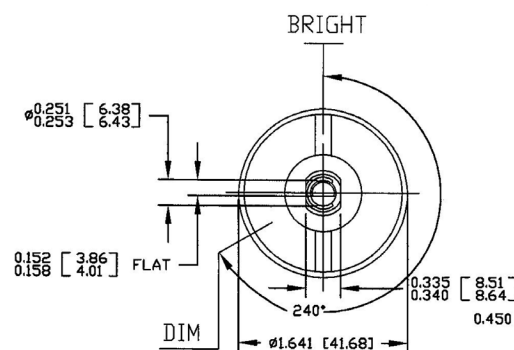
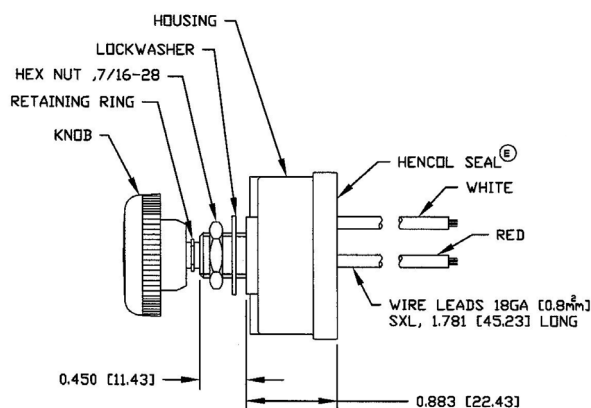
## Specifications Overview

<b>Positions:</b>	Variable: Dim - Bright
<b>Housing:</b>	Diecast Plated Steel
<b>Voltage Rating:</b>	7A at 12V DC

## Features and Benefits

- Weatherproof sealed body through sealed body through rear Hencol Seal
- Protected for Reverse Polarity (not load sensitive)

## Dimensions in mm



## X-ON Electronics

Largest Supplier of Electrical and Electronic Components

*Click to view similar products for [Rotary Switches](#) category:*

*Click to view products by [Littelfuse](#) manufacturer:*

Other Similar products are found below :

[57HS22-02-2-06N](#) [57M22-02B16N](#) [57M22-09A16N](#) [M3786/4-0881](#) [M3786/4-3267](#) [M3786/4-5568](#) [M3786/4-6029](#) [71ESF30-05204N](#)  
[MC06L1NCGF](#) [84986-26](#) [9003K2C003GA](#) [PLR3251](#) [PLR3262](#) [PS3](#) [A0142M2SP](#) [A029303](#) [R2AA4455NNNN](#) [R2BB4455NNNN](#) [DR75-](#)  
[AMSF-10R-B](#) [14-520.0360](#) [1703.3201](#) [HW1MS-0202-101](#) [24002-03S](#) [A029101](#) [ACSNO-129-YB-C1014](#) [ACSNO-134-RR-YB-C1005](#)  
[ACSNO-353-SB-C3016](#) [1825537-4](#) [T505](#) [T505E](#) [24005-03N](#) [H10207RR01Q](#) [M3786/39-4ZC](#) [M3786/4-0002](#) [M3786/4-0630](#) [M3786/4-](#)  
[1028L](#) [M3786/4-1233L](#) [M3786/4-3044](#) [M3786/4-3129](#) [M3786/4-5008L](#) [M3786/4-5256](#) [MC6CX1A502X009](#) [42HS36-01-1-06N](#) [42P36-](#)  
[03B10S](#) [44MBS60-04-2-03N](#) [44MG90-02-1-02N](#) [50KMT90-01-2-02N](#) [51A22-01-1-16S](#) [51CDP30-01PAJN](#) [51KSP30-01D04N](#)