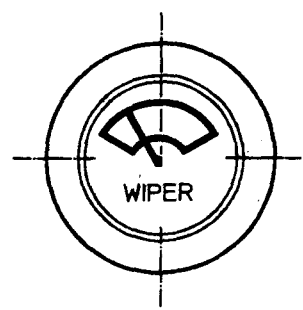
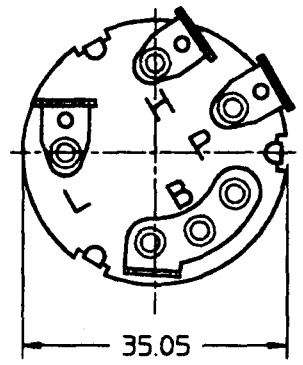
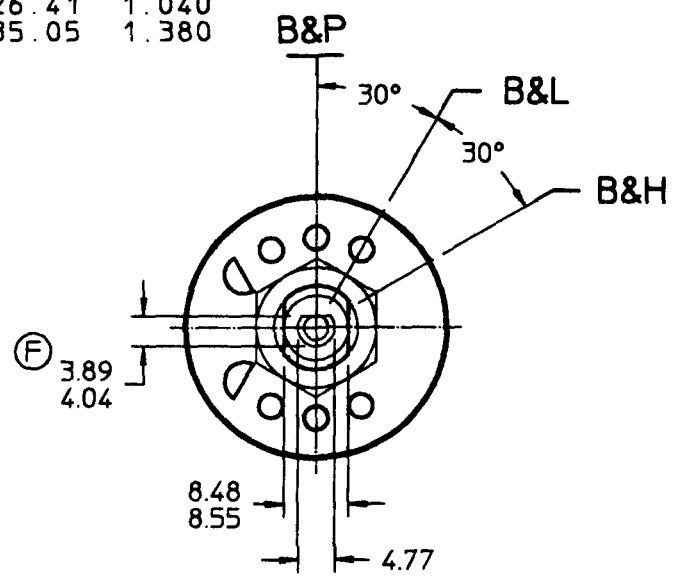
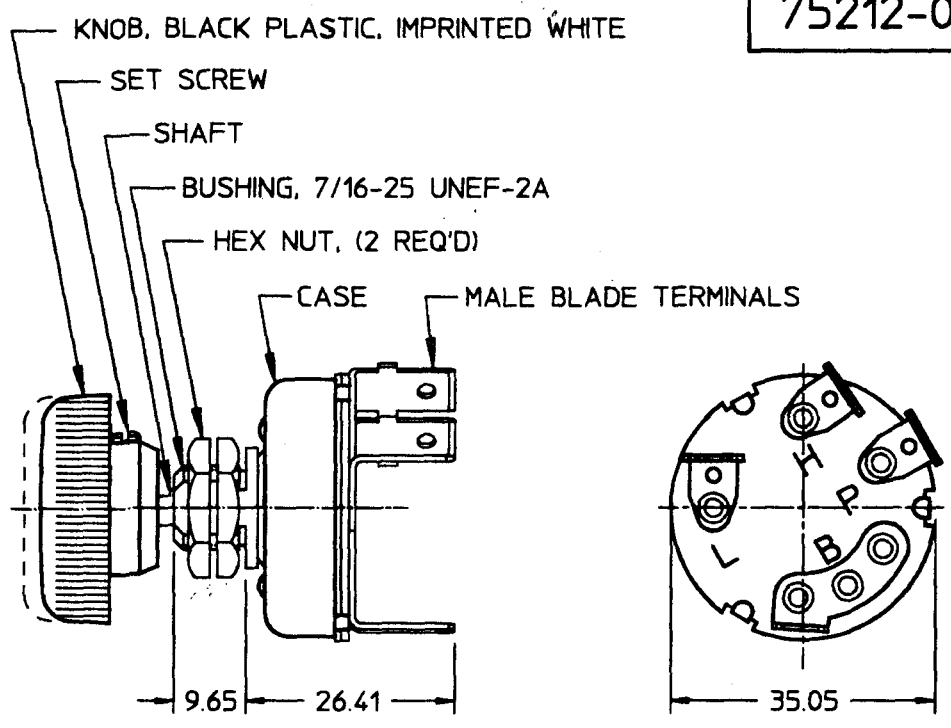


MM	IN
3.89	0.153
4.04	0.159
4.77	0.188
8.48	0.344
8.55	0.337
9.65	0.380
26.41	1.040
35.05	1.380



FRONT VIEW OF KNOB

P	PARK
L	LOW
H	HIGH
B	BATTERY
LEGEND	

- NOTES:
1. COPPER ALLOY CONTACTS.
 2. NUMBER OF POLES-1
NUMBER OF THROWS-2
 3. SEALING-NONE
 4. ALL STEEL PARTS PLATED
 5. RATING:

	RESISTIVE	INDUCTIVE
12V	10 AMPS	8 AMPS
24V	7 AMPS	5 AMPS

LIFE @ RATED CURRENT

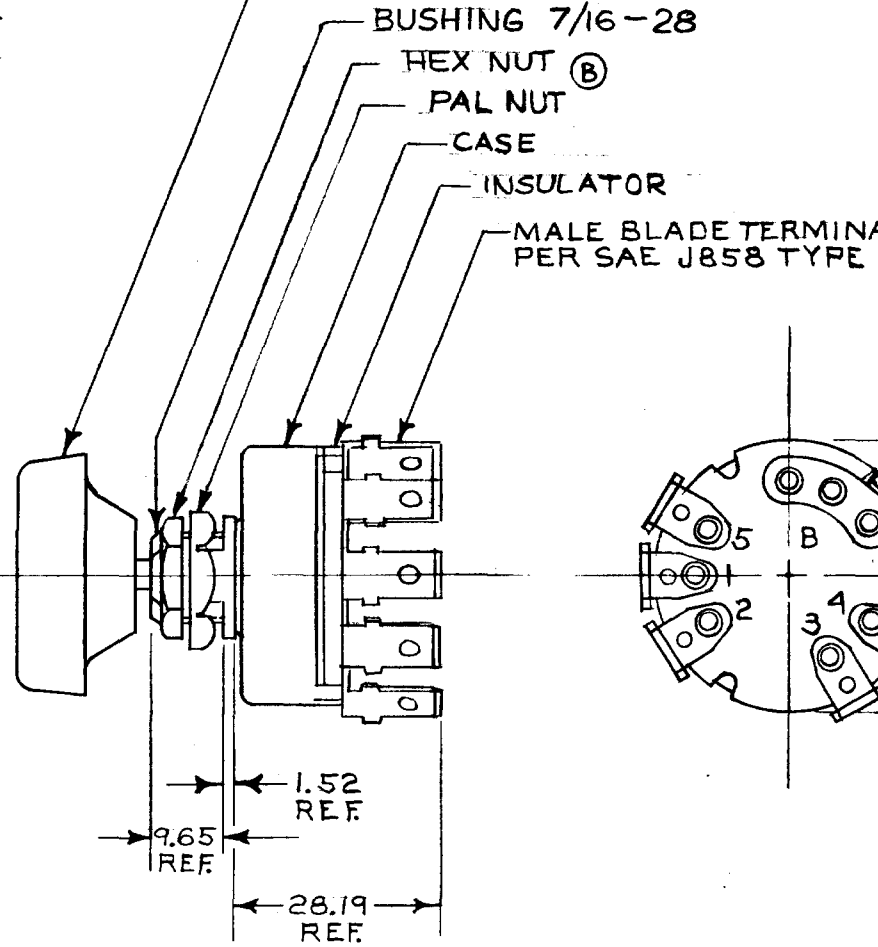
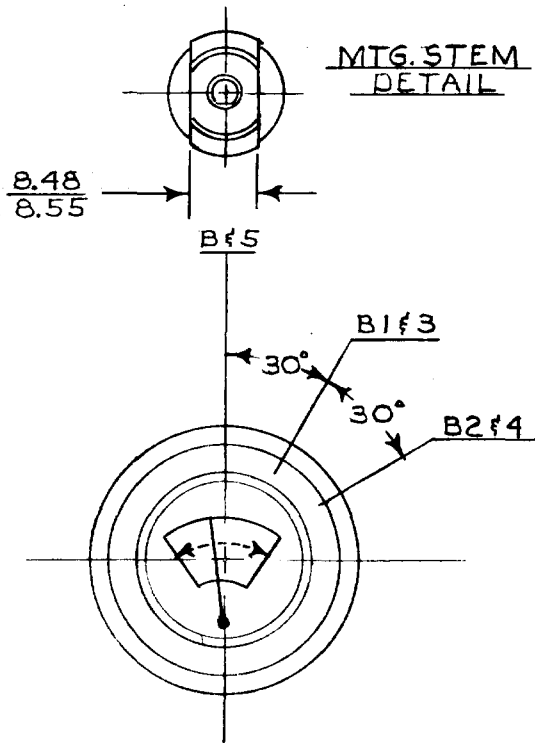
MAKE & BRAKE
12V - 100,000 MIN
24V - 50,000 MIN

DO NOT SCALE

METRIC

LET.	WAS	DATE	BY	LET.	WAS	DATE	BY	MATERIAL	DRAWN	CHK	APVD	SCALE	75212-01 WITH 81298-29 KNOB	DATE DRAWN
									BW	AP		1:1		9/10/74
								FINISH	Cole Hersee Co. 20 OLD COLONY AVENUE, BOSTON, MA., U.S.A., 02127					DATE BLUEPRINTED
				F	ECN # 25936	8/16/95	MB	TOLERANCES DECIMAL ± 0.25 ANGLE ±						
				E	PUT ON CAD	10/4/94	MB		SW, WINDSHIELD WIPER					75212-04

1.52 .06
 8.48 .334
 8.55 .337
 9.65 .380
 28.19 1.111
 35.30 1.390



LEGEND	
B	BATTERY
1	WIPER 1 LOW SPEED
3	WIPER 2 LOW SPEED
2	WIPER 1 HI SPEED
4	WIPER 2 HI SPEED
5	PARK

NOTES:
 1. ALL STEEL PARTS PLATED
 2. CURRENT RATING: 10AMP

METRIC

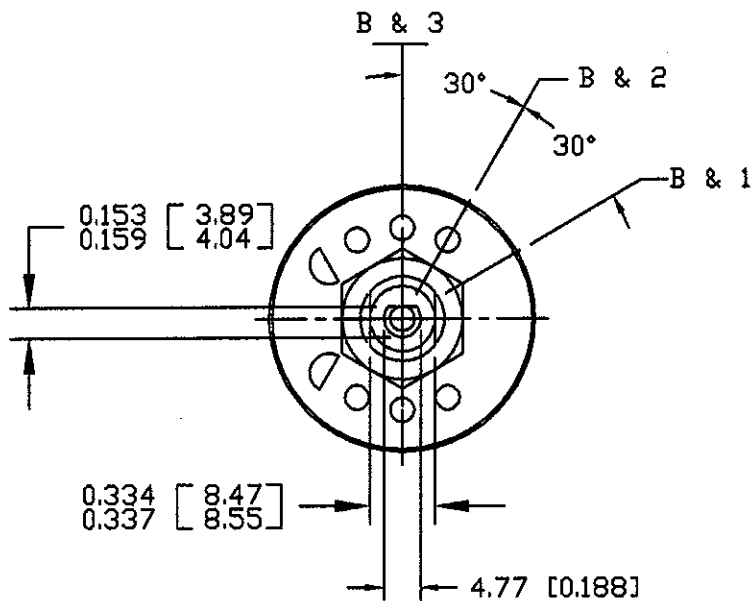
LET.	WAS	DATE	BY	LET	WAS	DATE	BY	MATERIAL	DRAWN	CHECKED	APPR'D	SCALE
								<i>X</i>	EA	<i>[Signature]</i>		1:1
								FINISH				
								<i>X</i>				
				B	ECN 233 44	12-12-86	ZU	TOLERANCES				
				A	REDRAWN	12-11-89	<i>[Signature]</i>	DECIMAL ± METRIC ±				

CH Cole Hersee Co.
 70 OLD COLONY AVENUE SOUTH BOSTON, MA, U.S.A. 02127

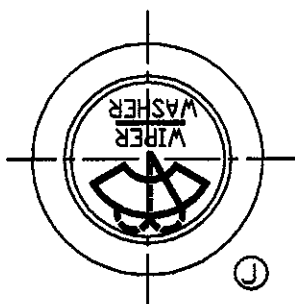
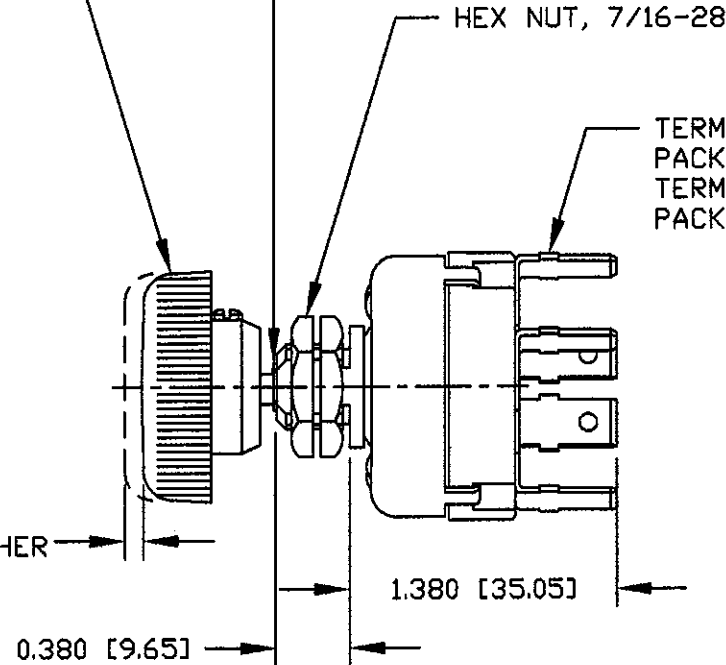
SWITCH,
 WINDSHIELD WIPER

CH-188(4-78)

Confidential Property



PUSH KNOB TO
ENERGIZE WASHER
CIRCUIT



FRONT VIEW
OF KNOB

3	PARK
2	LOW
1	HIGH
W	WASHER
B	BATTERY
LEGEND	

Tolerances Unless otherwise specifically noted, the following are default tolerances:
 * 2-place Decimal Dimensions $\pm .02"$
 * 3-place Decimal Dimensions $\pm .005"$
 * Angular Dimensions ± 1.0 Deg.
 * Metric: Refer to equivalent English Dimension Tolerance
 >>> NOTE: All tolerances are Non-Cumulative. <<<

Dimensional Units All dimensions are expressed in inches except those shown in brackets (xxx) are expressed in millimeters

"REF." or an Asterisk (*) = Non-Toleranced Reference Dimension, shown for clarification purposes only.

Used On BASIC W/NEW SHAFT,
or Ref. BUSHING & KNOB

Scale: 1:1

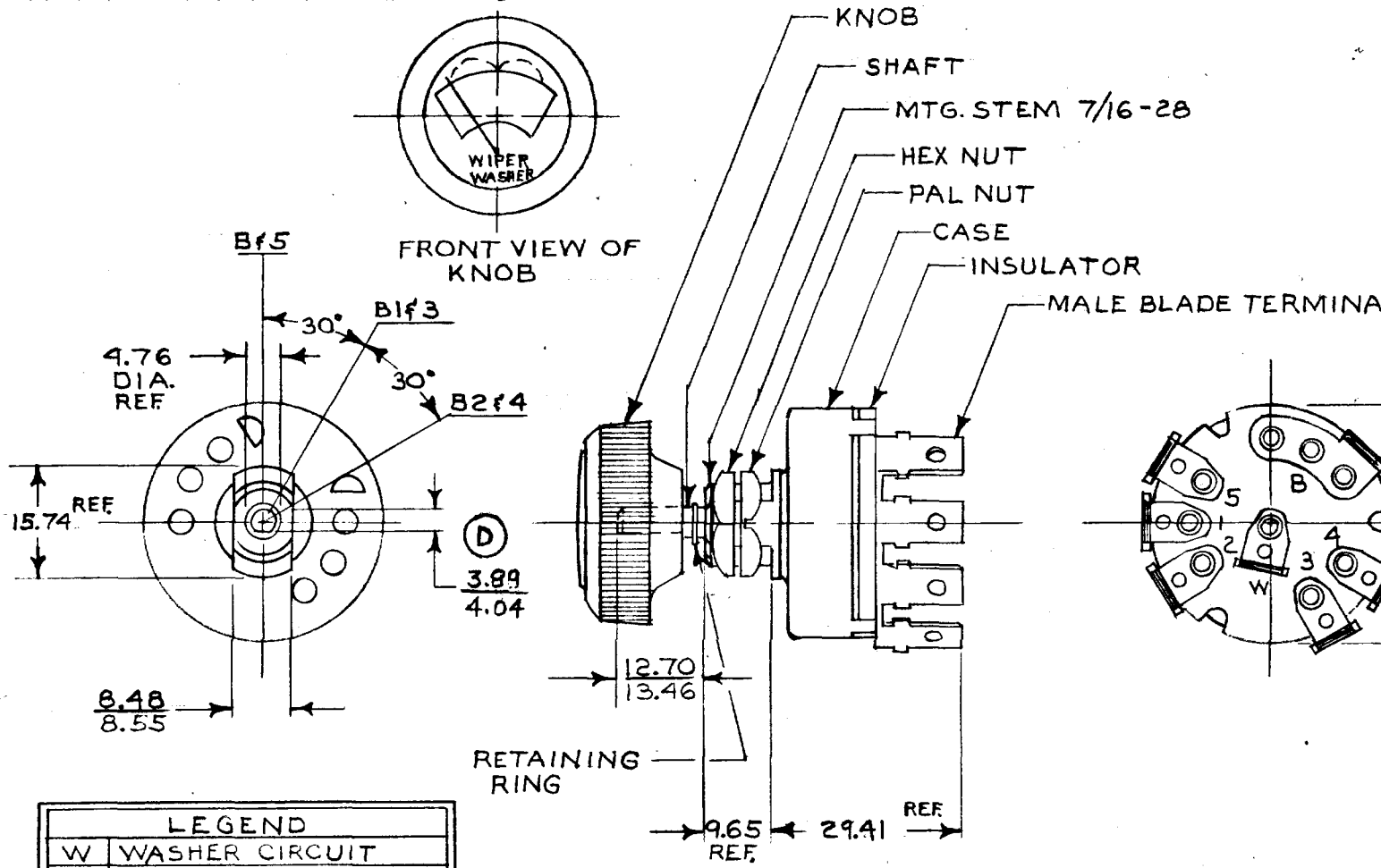
PROPRIETARY INFORMATION The information contained herein, is property of the company and may not be disclosed, copied, transferred or communicated to any other person without the express written consent of an authorized representative of the company.

DESIGN CONTROL It is the responsibility of the user to assure that the level agrees with the revision level of (Master Drawing). This is a NON-CUMULATIVE drawing unless otherwise specifically noted.

DO NOT SCALE - Dimensional verification is required for reproduction.

Drawn By: KG


4.04 .159
 4.76 .187
 8.48 .334
 8.55 .337
 9.65 .380
 12.70 .500
 13.46 .530
 15.74 .620
 29.41 1.158
 35.30 1.390



LEGEND	
W	WASHER CIRCUIT
B	BATTERY
1	WIPER 1 LOW SPEED
3	WIPER 2 LOW SPEED
2	WIPER 1 HI SPEED
4	WIPER 2 HI SPEED
5	PARK

NOTES:
 1. PUSH SHAFT TO ACTIVATE WASH
 2. CURRENT RATING 10 AMP @ 12 VDC
 3. ALL STEEL PARTS PLATED.

METRIC

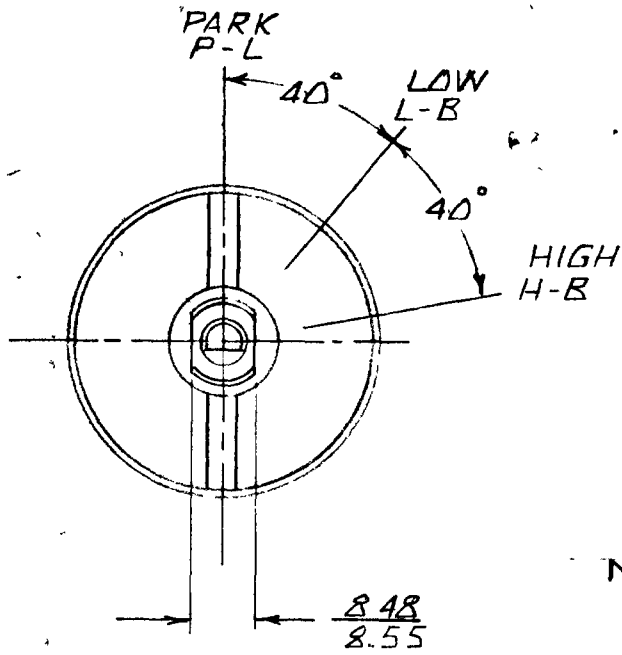
DET.	WAS	DATE	BY	LET	WAS	DATE	BY	MATERIAL	DRAWN	CHECKED	APPRV'D	SCALE
								<i>TK</i>	EA	T.N.		1:1
								FINISH	 20 OLD COLONY AVENUE, SOUTH BOSTON MA, U.S.A. 02127			
								<i>TK</i>				
								TOLERANCES	SWITCH, WINDSHIELD WIPER & WASHER			
								DECIMAL ± METRIC ±				
					C	REDRAWN	12-14-89	<i>TK</i>				

CH-188(4-78)

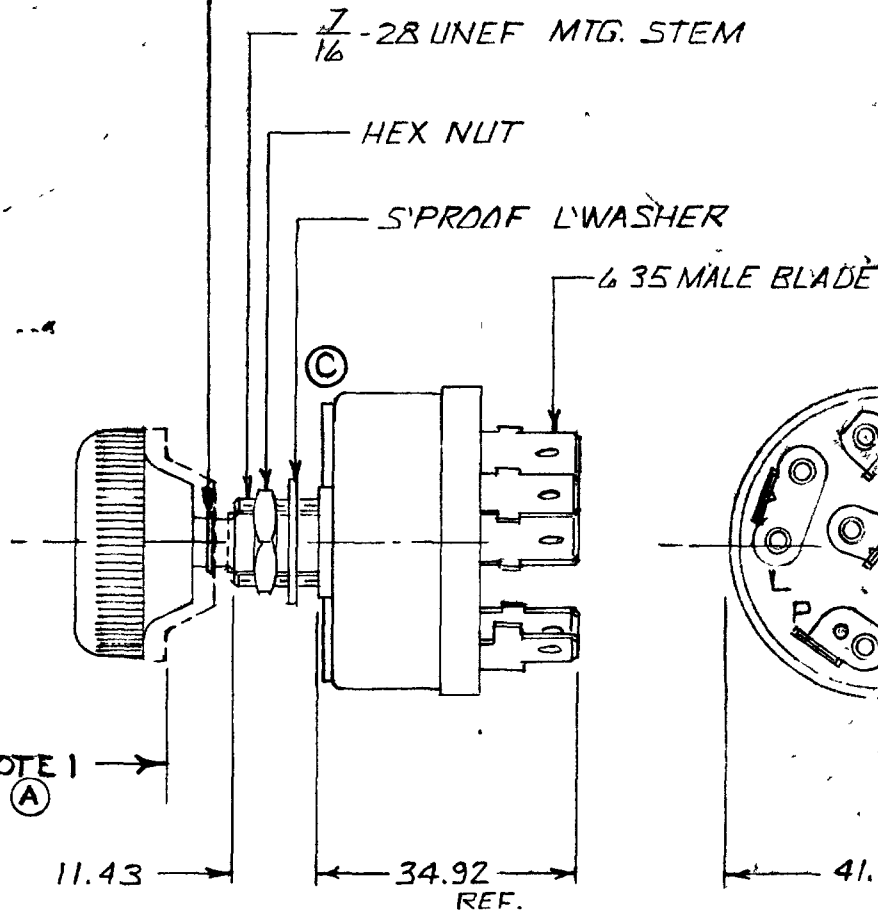
11.43 .45
 6.35 .25
 34.92 1.375
 41.27 1.625

METRIC

EX19874



FRONT VIEW OF KNOB



NOTE 1
 (A)

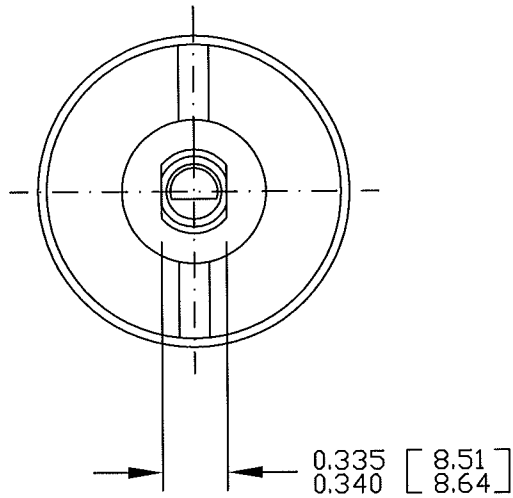
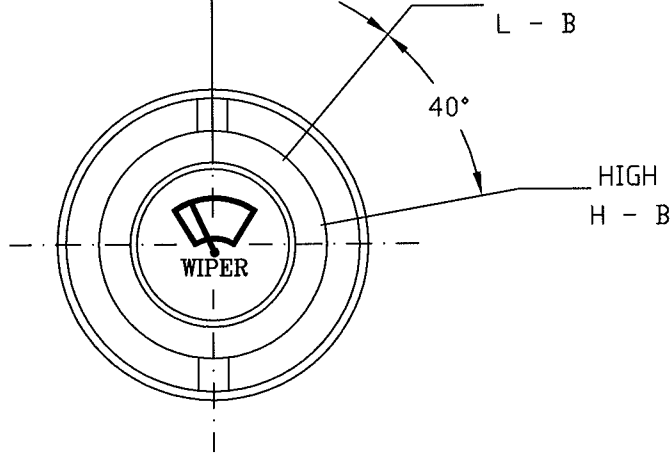
12VOLTS @ 10 AMPS

- NOTE:
 1. PUSH KNOB TO ACTIVATE WIPER WASHER CIRCUIT PARK, LOW, HIGH POS.
 2. ALL STEEL PARTS PA...

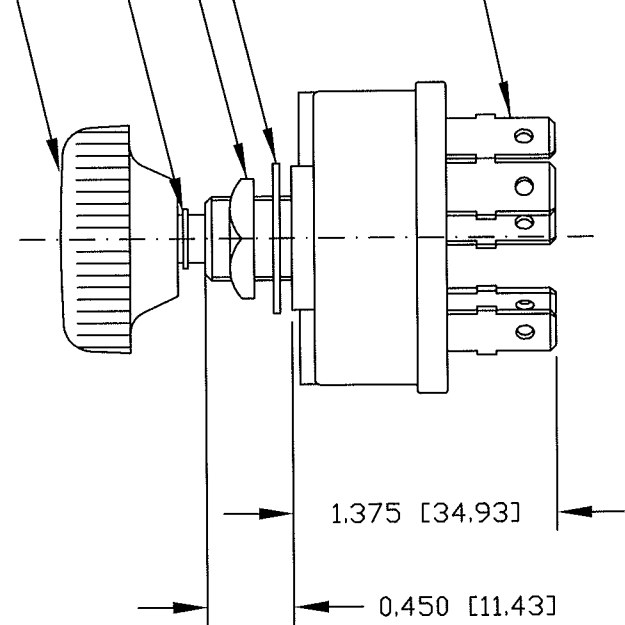
LET	WAS	DATE	BY	LET	WAS	DATE	BY	MATERIAL	DRAWN	CHECKED	APPR'D	SCALE	BASIC 02 WITH KNOB
				C	ECN 24372	6/7/90	BL	FINISH	EA	RFB		1=1	
				B	SEN 23512	12-12-86	ZU						
				A	22545	10-5-84	AK	TOLERANCES					
					ISSUED	1/21/83	RFB	DECIMAL ± .010 METRIC ± .25					3 POS ROTARY SW

CH Cole Hersee Co.
20 OLD COLONY AVENUE SOUTH BOSTON MA. U.S.A. 02127

CH-188(4-78)



VIEW WITH KNOB REMOVED.



Revision Control Record				Rev.	Description of Change	ECN No.	Date	Tolerances Unless otherwise specifically noted, the following are default tolerances;			PROPRIETARY This Engineering Information is the property of the Company. No part of this information may be reproduced, stored in a retrieval system, or transmitted in any form or by any means, without the prior written permission of the Company.
Rev.	Description of Change	ECN No.	Date					2-places +/- 0.02"	3-places +/- 0.005"	Angular +/- 1°	
C	BOM CHANGED	11043	3/10/11								

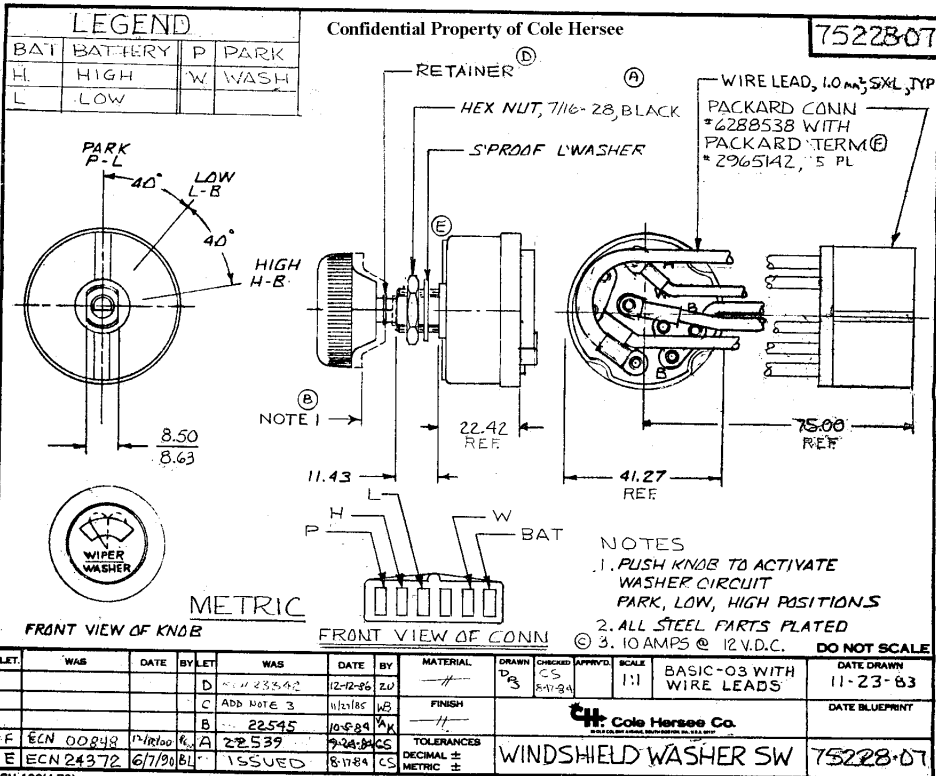
FORM CHT-6 (2/07)

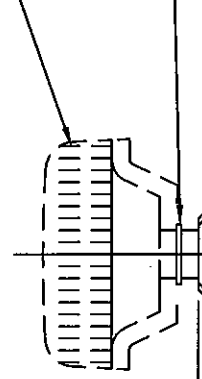
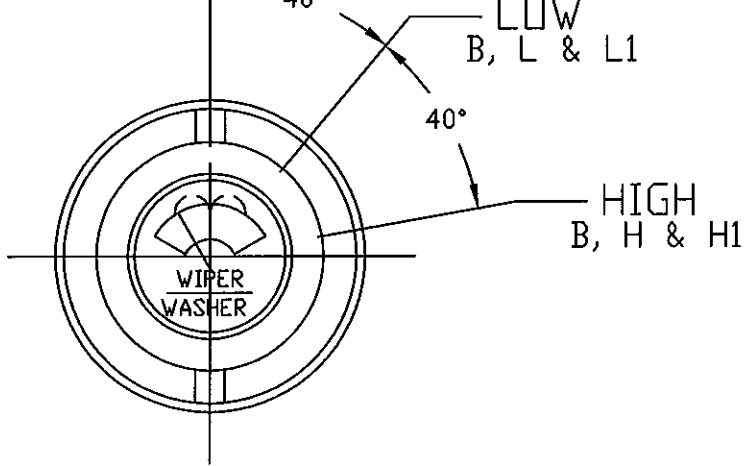
Used On
or Ref.:



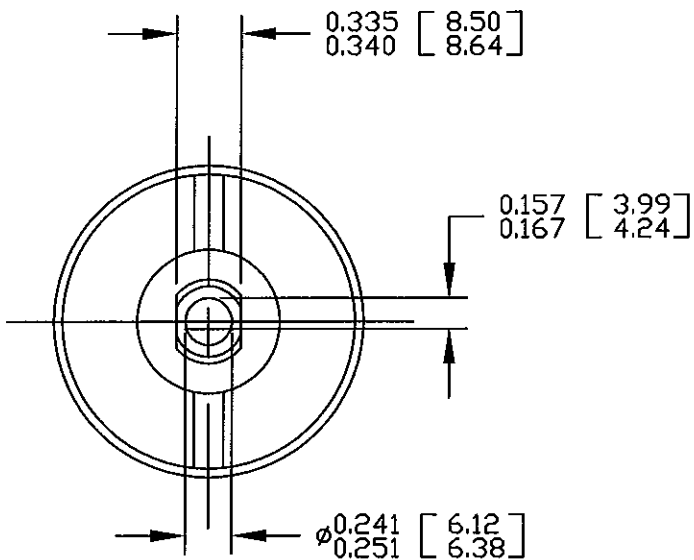
MM JN
 8.50 .335
 8.63 .340
 11.43 .450
 22.42 .883
 41.27 1.625
 75.00 2.952
 1.0mm .040

EX20945





NOTE 2 →
0.450 [11.43] →



VIEW SHOWN LESS KNOB

P	PARK
P1	
L	LOW
L1	
H	HIGH
H1	
B	BATTERY
W	WASHER
CIRCUIT	DESCRIPTION
LEGEND	

Revision Control Record				Rev.	Description of Change	ECN No.	Date
Rev.	Description of Change	ECN No.	Date				
D	ADD NOTE 5 & 6	09253	04/15/09				

Tolerances Unless otherwise specifically noted, the following are default tolerances;
2-places +/- 0.02"
3-places +/- 0.005"
Angular +/- 1°
 Metric: Shown in [] refers to equivalent English Dim Tol
 "REF." or an Asterisk (*) = Non-Toleranced Reference Dimension, shown for clarification purposes only.
 NOTE: All tolerances are Non-Cumulative.

FORM CHT-6 (2/07) Used On or Ref.: **EX-20879**

PROPRIETARY
 This Engineering Information is the proprietary information of the Company and is not to be re-produced or transferred to any other party without the written consent of the Company.



X-ON Electronics

Largest Supplier of Electrical and Electronic Components

Click to view similar products for [Rotary Switches category](#):

Click to view products by [Littelfuse manufacturer](#):

Other Similar products are found below :

[57HS22-02-2-06N](#) [57M22-02B16N](#) [57M22-09A16N](#) [M3786/4-0881](#) [M3786/4-3267](#) [M3786/4-5568](#) [M3786/4-6029](#) [71ESF30-05204N](#)
[MC06L1NCGF](#) [84986-26](#) [9003K2C003GA](#) [PLR3251](#) [PLR3262](#) [PS3](#) [A0142M2SP](#) [A029303](#) [R2AA4455NNNN](#) [R2BB4455NNNN](#) [DR75-](#)
[AMSF-10R-B](#) [14-520.0360](#) [1703.3201](#) [HW1MS-0202-101](#) [24002-03S](#) [A029101](#) [ACSNO-129-YB-C1014](#) [ACSNO-134-RR-YB-C1005](#)
[ACSNO-353-SB-C3016](#) [1825537-4](#) [T505](#) [T505E](#) [24005-03N](#) [H10207RR01Q](#) [M3786/39-4ZC](#) [M3786/4-0002](#) [M3786/4-0630](#) [M3786/4-](#)
[1028L](#) [M3786/4-1233L](#) [M3786/4-3044](#) [M3786/4-3129](#) [M3786/4-5008L](#) [M3786/4-5256](#) [MC6CX1A502X009](#) [42HS36-01-1-06N](#) [42P36-](#)
[03B10S](#) [44MBS60-04-2-03N](#) [44MG90-02-1-02N](#) [50KMT90-01-2-02N](#) [51A22-01-1-16S](#) [51CDP30-01PAJN](#) [51KSP30-01D04N](#)