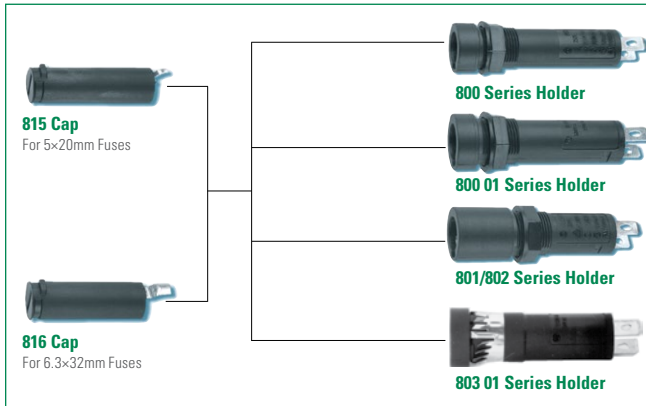


800/801/802/803 Series Panel Mount Enclosed Fuse Holders



Agency Approvals

Agency	Part Number				
	800	800 01	801	802	803 01
	Agency File Number				
	122016*	123336**	N/A	N/A	6914**
	E70164*				
	47574*	47574**		47574*	47574**

* - Certification includes both 815 and 816 caps
** - Certification includes 816 cap only

Additional Information



Datasheet 800 Series



Resources 800 Series



Samples 800 Series



Datasheet 801 Series



Resources 801 Series



Samples 801 Series



Datasheet 802 Series



Resources 802 Series



Samples 802 Series



Datasheet 803 Series



Resources 803 Series



Samples 803 Series

Product Characteristics

Series	800	800 01	801/802	803 01
Compatible Fuses	5x20mm 6.3x32mm	6.3x32mm	5x20mm 6.3x32mm	6.3x32mm
Materials	Holder/Cap: Black Thermoplastic, UL94 V-0 Metal Parts: Copper alloy, corrosion protected Terminals: Solderable, tinned Clamp spring: non-corrosion metal, untreated			
Electrical Data (23°C)	Rated Voltage: 250V Rated Current: 6.3A (800+815-VDE) 10A (800+816-VDE) 16A (UL/CSA)	Rated Voltage: 500V Rated Current: 10A (800+816-VDE) 16A (UL)	Rated Voltage: 250V Rated Current: 16A (UL/CSA)	Rated Voltage: 500V Rated Current: 10A (VDE) 16A (UL/CSA)
Mounting	Rated Power: 2.5W (VDE) 4W (VDE) Pluggable with clamping spring in 12.7mm diameter D-hole Torque on plastic hex nut is 1.2Nm (panel of 0.75mm - 3 mm)			
Terminals	Solderable or 4.8mm quick connect-fits 0.5mm tab			
Electronic Shock Protection	PC2 (IEC 60127-6)			
Ingress Protection	IP 40 (IEC 60529)			
Operating Temperature	-25°C to +70°C			
Climatic Test	-25°C/+70°C/21 days (IEC 60068-2-1...3)			
Stock Conditions	+10°C to +60°C relative humidity ≤ 75% yearly average, without dew, maximum value for 30 days - 95%			
Vibration Resistance	24 cycles at 15 min. each (IEC 60068-2-6) 10 - 60Hz at 0.75mm amplitude 60 - 2000Hz at 10g acceleration			NA
Contact Resistance	≤ 5mΩ			
Dielectric Strength	> 1.5 kV			
Impulse Voltage	4 kV, 50 Hz, 1 min., dry			
Insulation Resistance	> 103 MΩ (500 VDC, 1 min.)			
Solderability	235°C, 3 sec. (Wave) 350°C, 1 sec. (Soldering Iron)		235°C, 2 sec. (Wave) 350°C, 1 sec. (Soldering Iron)	235°C, 2 sec. (Wave) 350°C, 3 sec. (Soldering Iron)
Solder Heat Resistance	260°C, 5 sec. (IEC 60068-2-20)			
Min. Cross Section	Conductor - 2.5mm ²			
Marking	800, 250V, Approvals	800 01, 500V, Approvals	Series, 250V, Approvals	803, 500V, Approvals
Unit Weight	4.7g (Holder) 2.5g (Cap)		5.0g (801/802) 2.5g (815/816)	4.9g (803) 2.0g (816)

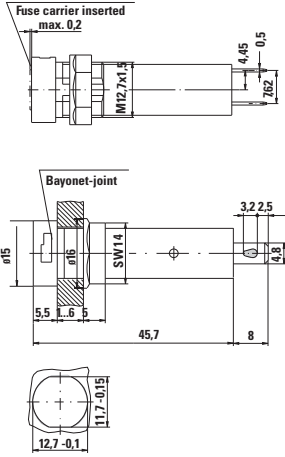
Note: Refer to [Fuseology](#) for information on proper fuseholder re-rating

Ordering Information

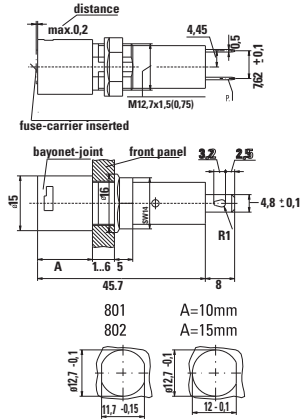
Holders	80000000005	80000000105	80100000005 80200000005	80300000105
Caps	For 5x20mm fuse: 81500000005 For 6.3x32mm fuse 81600000005			
Packaging	Bulk 100 Pcs all items listed above			

Dimensions (millimeters)

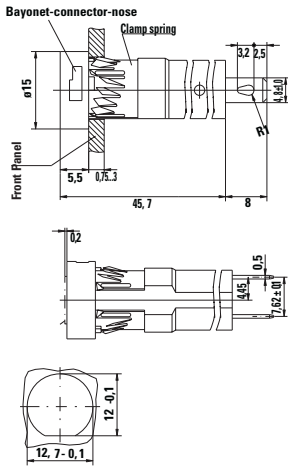
800/800 01 Series



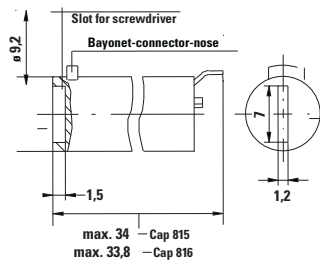
801/802 Series



803 01 Series



815/816 Cap



X-ON Electronics

Largest Supplier of Electrical and Electronic Components

Click to view similar products for [Fuse Holder Accessories](#) category:

Click to view products by [Littelfuse](#) manufacturer:

Other Similar products are found below :

[BK/1A1337](#) [1A1853](#) [1A4421](#) [1A5220](#) [903-048](#) [1A1337](#) [1A4544](#) [1A5220-01](#) [CO2-10](#) [CO3-03](#) [348897](#) [B072-7007](#) [BK/1A4421](#) [BK/9732](#)
[X30110](#) [09030012H](#) [09050023H](#) [00970021HXNVDL](#) [00BS0232P](#) [CO2-04](#) [BK1A1853](#) [BK9834](#) [0880.0001](#) [00970053XP](#) [3566C](#)
[00970053H](#) [04450718ZX900](#) [CH10CL](#) [BP/FP-3](#) [58600000005](#) [33-012C](#) [880140](#) [00970023S](#) [880150](#) [PDM71009ZXM](#) [B109-7091-4](#) [B109-](#)
[7091-6](#) [B109-7091-5](#) [901-524](#) [CVR-RH-25100](#) [LFH60030FBC](#) [03540514Z](#) [03540526Z](#) [03540531Z](#) [03540541Z](#) [03540525Z](#) [03540537Z](#)
[03540539Z](#) [03540540Z](#) [FEH](#)