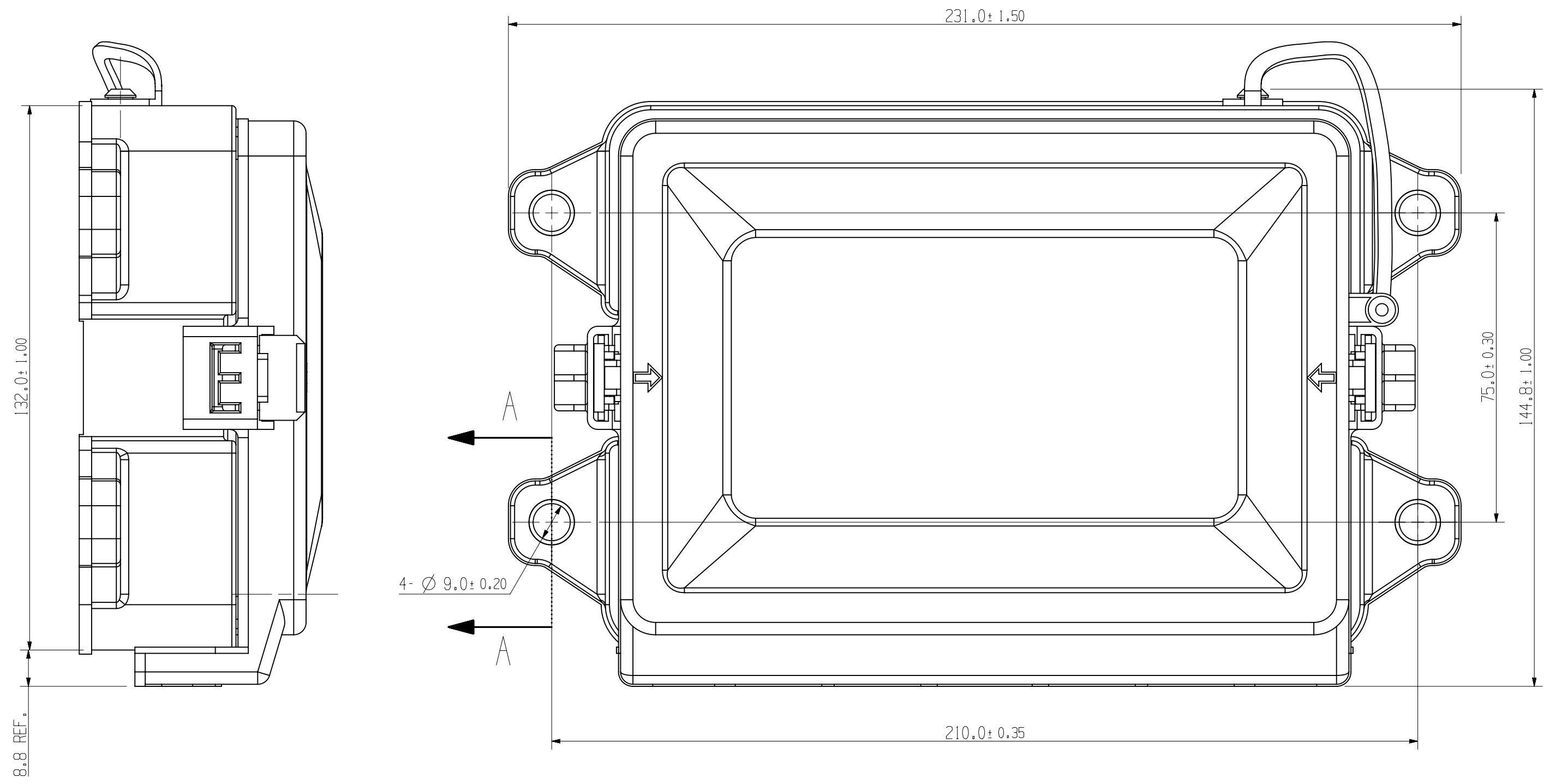


| LTR | DATE     | REVISION                    | CHK | APD |
|-----|----------|-----------------------------|-----|-----|
| A   | 01/06/15 | 511383ERA-NEW RELEASED FYUE |     |     |
|     |          |                             |     |     |
|     |          |                             |     |     |
|     |          |                             |     |     |
|     |          |                             |     |     |
|     |          |                             |     |     |
|     |          |                             |     |     |
|     |          |                             |     |     |
|     |          |                             |     |     |
|     |          |                             |     |     |



NOTES:

A. MATERIAL: COVER/HOUSING: BLACK THERMOPLASTIC (UL94-V0).  
 BUS BAR: COPPER Sn PLATED  
 TEETHER: TPE.  
 SCREWS/WASHERS/BOLTS: STAINLESS STEEL  
 GASKET: SILCON RUBBER

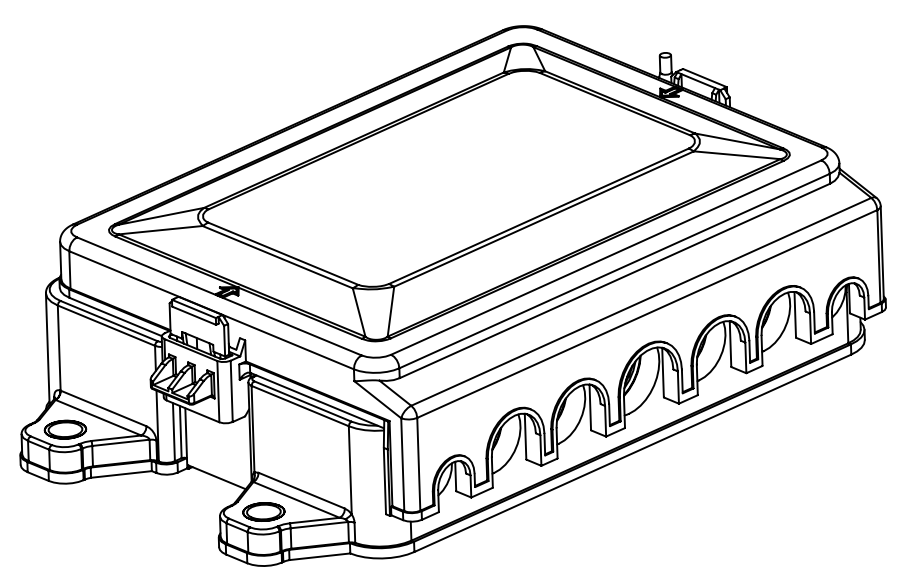
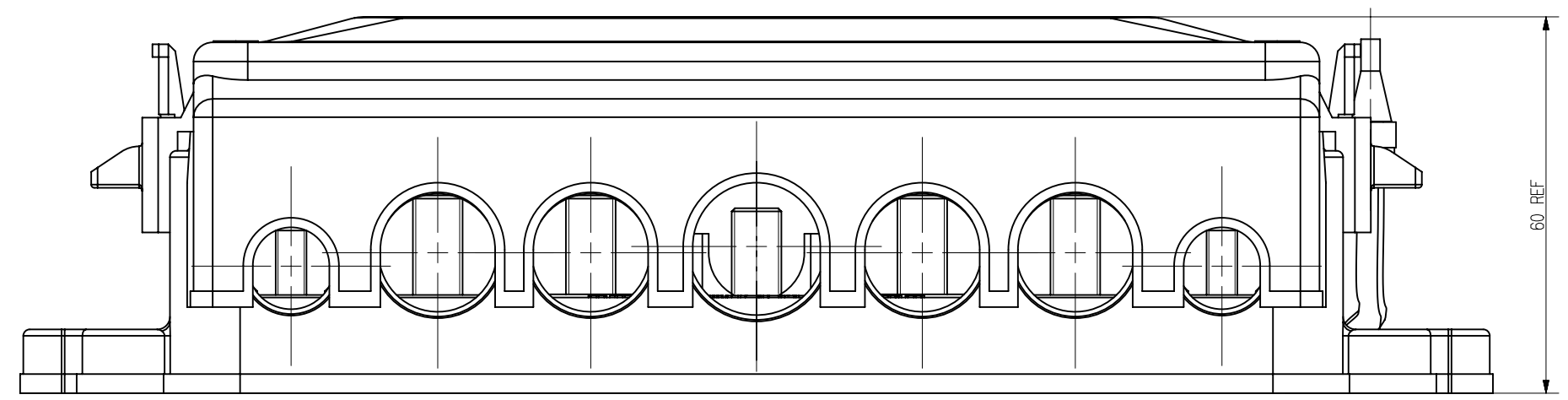
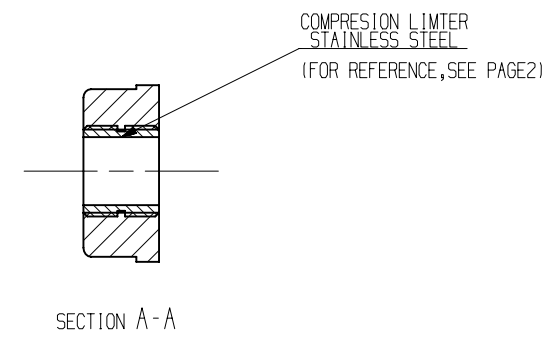
B. FUSES ASSEMBLY TORQUE: 4-5NM USING M5 BOLT & LOCK WASHER.  
 12-18NM USING M8 BOLT & LOCK WASHER.

C. ALL FUSE MUST NO EXCEED 70% OF RATED CURRENT.

D. OPERATING TEMPERATURE RANGE: -40° C TO +120° C

E. ADJUST CABLE GASKET AFTER FIX THE CABLE ON BOLT FOR HIGH SEALING PERFORMANCE.

F. M8 MOUNTING TORQUE: 10-12NM.



| NO | COMPONENT NO | DESCRIPTION | QTY/M | U/M |
|----|--------------|-------------|-------|-----|
| -  |              |             |       |     |
| -  |              |             |       |     |
| -  |              |             |       |     |

**BILL OF MATERIAL**

UNLESS OTHERWISE SPECIFIED, DIMENSIONS ARE IN MILLIMETERS.  
 DIMENSIONS IN BRACKETS ( ) ARE INCHES

UNLESS OTHERWISE SPECIFIED, DIMENSIONS DO NOT INCLUDE PLATING.

⊙ DENOTES CRITICAL CHARACTERISTICS.

CPK DENOTES CPK DIMENSIONS, -MINIMUM CPK VALUE

⊙(ST) DENOTES A CHARACTERISTIC THAT PROVIDES AN INDICATION OF PROCESS PERFORMANCE. PROCEDURE FOR MEASUREMENT AND TRACKING TO BE DEFINED IN LITTELFUSE INSPECTION INSTRUCTIONS

CP DENOTES CP DIMENSIONS, -MINIMUM CP VALUE MUST BE WITHIN THE DIMENSIONAL LIMITATIONS SHOWN ON DRAWING AND INITIALLY LOCATED TO ALLOW FOR MAXIMUM TOOL LIFE

| COPIES TO | MATL SPEC | SEE NOTES     |
|-----------|-----------|---------------|
| 1 9 18    |           |               |
| 2 10 19   |           |               |
| 3 12 20   |           |               |
| 4 13 21   | DRW       | FYUE          |
| 5 14 23   | DATE      | 06/26/14      |
| 6 15 33   | SCALE     | 1:1           |
| 7 16 43   | CHK       | DATE          |
| 8 17 53   | APPD      | DATE          |
|           |           | FINSH GOOD WT |
|           |           | GRAMS/PIECE   |

| TOLERANCE | DIMENSION | 0.5 - 3 | UP TO 3 | UP TO 6 | OVER 6 - 30 | UP TO 30 | OVER 30 - 120 | UP TO 120 | OVER 120 - 400 |
|-----------|-----------|---------|---------|---------|-------------|----------|---------------|-----------|----------------|
|           |           |         |         |         |             |          |               |           |                |

3RD ANGLE PROJECTION

TITLE: LTX Power Distribution Module

METRIC ASSEMBLY

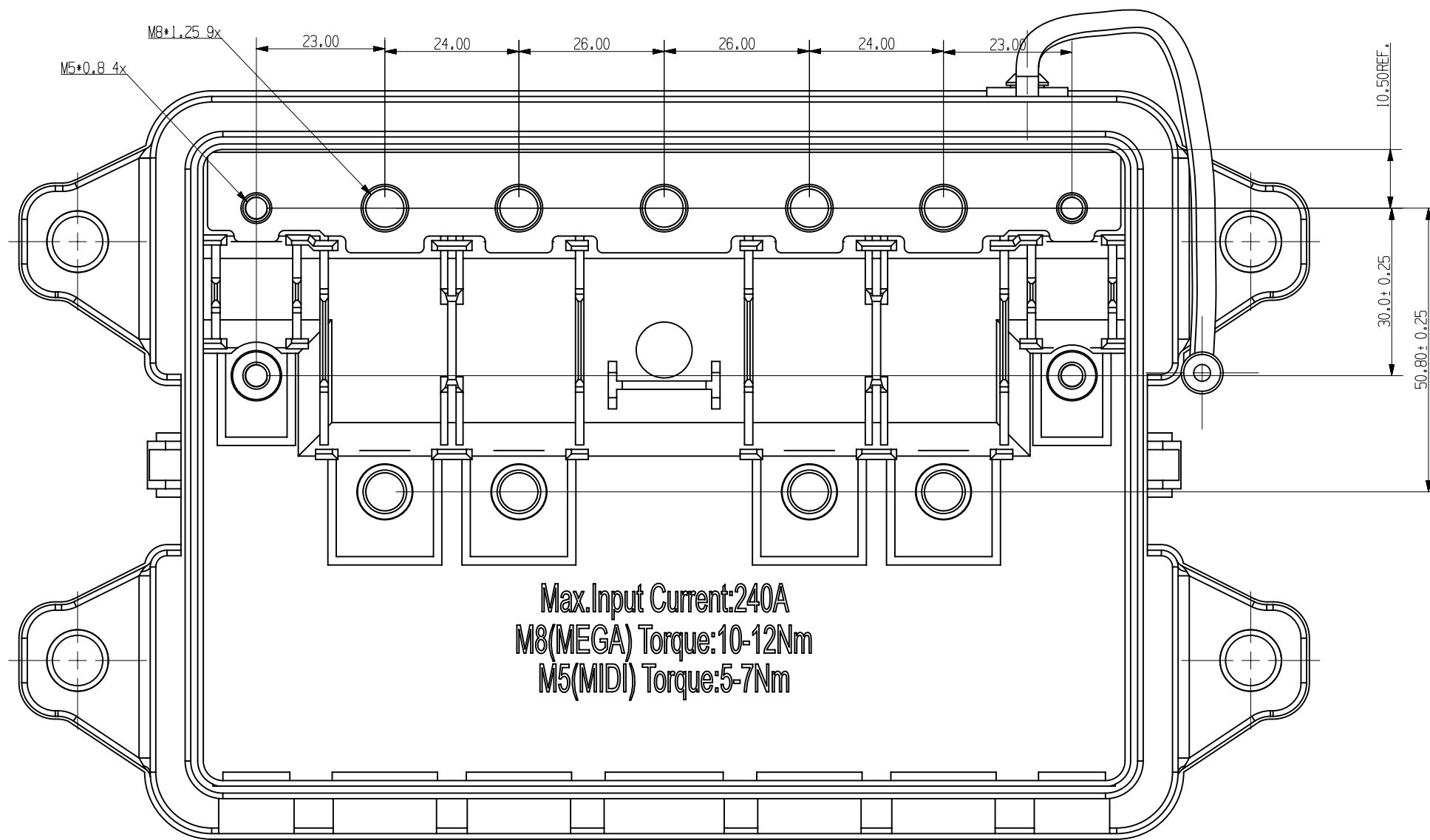
Littelfuse  
 DES PLAINES, ILLINOIS 60016

REVISION: A

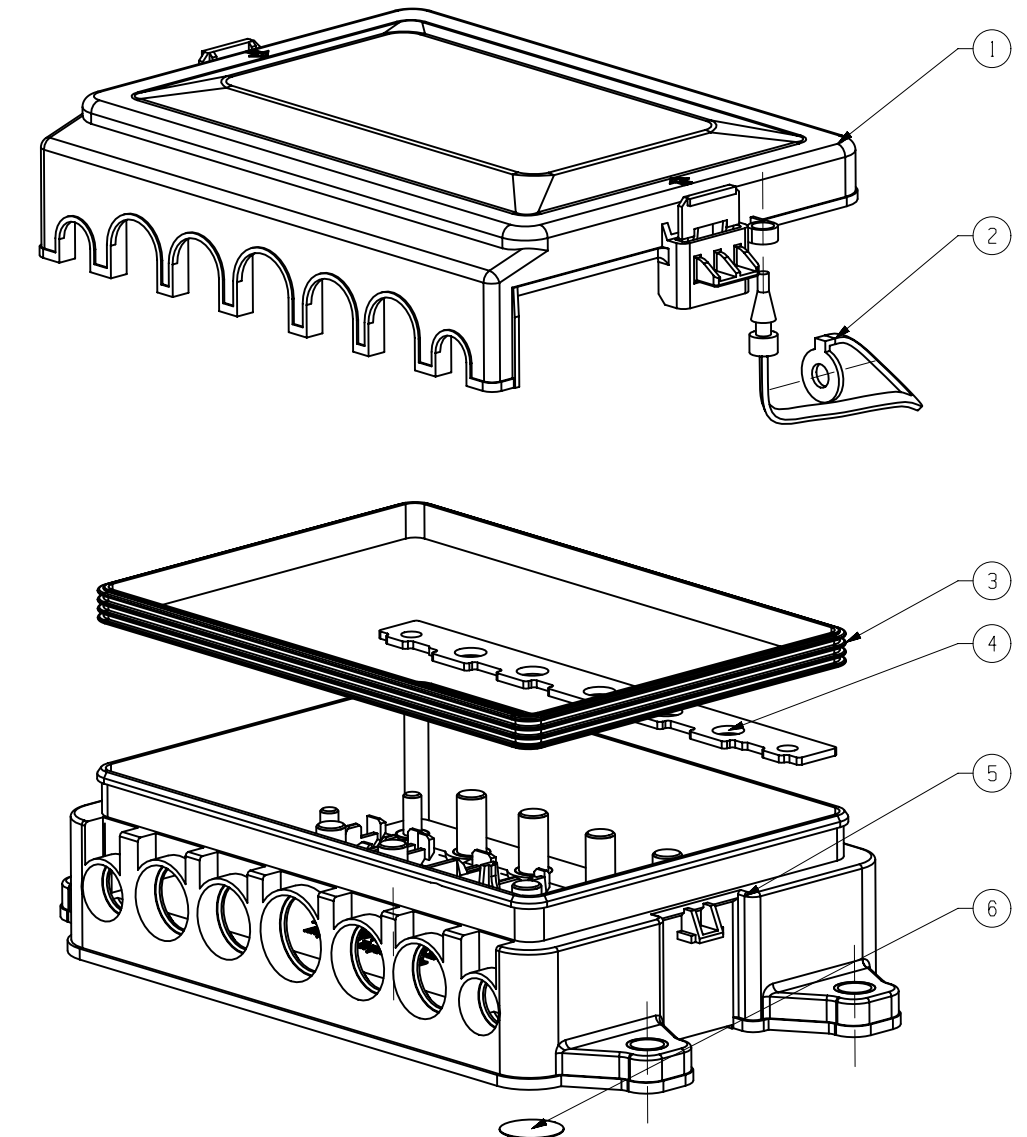
DRWG. NO.: 0L-07981002ZXS

1 OF 2

CAD GENERATED DRAWING - NO PENCIL CHANGES ALLOWED



P1 P2 P3 P4 P5 P6 P7



| PART NAME              | BLANK_1 SEALS | #10 CABLE SEALS   | #16/1 CABLE SEALS | BLANK_2 SEALS | #16/2 CABLE SEALS | #25 CABLE SEALS   | #35 CABLE SEALS   | #50 CABLE SEALS   |
|------------------------|---------------|-------------------|-------------------|---------------|-------------------|-------------------|-------------------|-------------------|
| PART NUMBER            | 868-951       | 868-952           | 868-953           | 868-954       | 868-955           | 868-956           | 868-957           | 868-958           |
| CABLE SEALS            |               |                   |                   |               |                   |                   |                   |                   |
| APPLICATION POSITION   | P1,P7         | P1,P7             | P1,P7             | P2,P3,P5,P6   | P2,P3,P5,P6       | P2,P3,P5,P6       | P2,P3,P5,P6       | P4                |
| CABLE SECTION ISO_6722 | N/A           | 10mm <sup>2</sup> | 10mm <sup>2</sup> | N/A           | 16mm <sup>2</sup> | 25mm <sup>2</sup> | 35mm <sup>2</sup> | 50mm <sup>2</sup> |

NOTE:  
SEALS NOT INCLUDED WITH THIS PART  
FOR REFERENCE ONLY, MUST BE ORDERED SEPERATELY

| NO | DESCRIPTION  | QTY/M | U/M |
|----|--------------|-------|-----|
| 6  | BREATH VENT  | 1     |     |
| 5  | BIG BASE     | 1     |     |
| 4  | BUSS BAR     | 1     |     |
| 3  | COVER_GASKET | 1     |     |
| 2  | TETHER       | 1     |     |
| 1  | COVER        | 1     |     |

| BILL OF MATERIAL  |   |  |  |
|---|---|--|--|
| UNLESS OTHERWISE SPECIFIED, DIMENSIONS ARE IN MILLIMETERS.<br>DIMENSIONS IN BRACKETS [ ] ARE INCHES |   |  |  |
| UNLESS OTHERWISE SPECIFIED, DIMENSIONS DO NOT INCLUDE PLATING.                                      |   |  |  |
|   | DENOTES CRITICAL CHARACTERISTICS.   |  |  |
| CPK   | DENOTES CPK DIMENSIONS, -MINIMUM CPK VALUE  |  |  |
|   | DENOTES A CHARACTERISTIC THAT PROVIDES AN INDICATION OF PROCESS PERFORMANCE. PROCEDURE FOR MEASUREMENT AND TRACKING TO BE DEFINED IN LITTELFUSE INSPECTION INSTRUCTIONS |  |  |
| CP  | DENOTES CP DIMENSIONS, -MINIMUM CP VALUE MUST BE WITHIN THE DIMENSIONAL LIMITATIONS SHOWN ON DRAWING AND INITIALLY LOCATED TO ALLOW FOR MAXIMUM TOOL LIFE               |  |  |

| COPIES TO | MATL SPEC                        |
|-----------|----------------------------------|
| 1 9 18    | SEE SHEET 1                      |
| 2 10 19   | FINISH                           |
| 3 12 20   |                                  |
| 4 13 21   | DRW FYUE DATE 06/26/14 SCALE 1:1 |
| 5 14 23   | CHK DATE SUPER DR                |
| 6 15 33   | APPD DATE FINSH GOOD WT          |
| 7 16 43   |                                  |
| 8 17 53   |                                  |

| TOLERANCES UNLESS OTHERWISE SPECIFIED (REF. ISO 2768-MH) |         |       |        |
|--|---------|-------|--------|
| DIMENSION  | 0.5 - 3 | 3 - 6 | 6 - 30 |
| TOLERANCE  | ±0.15   | ±0.25 | ±0.40  |

| 3RD ANGLE PROJECTION |          | TITLE                         |  |
|----------------------|----------|-------------------------------|--|
|                      |          | LTX Power Distribution Module |  |
|                      | REVISION | DRWG. NO.                     |  |
|                      | A        | 0L-07981002ZXS                |  |

METRIC  
ASSEMBLY

Littelfuse  
DES PLAINES, ILLINOIS 60016

2 OF 2

CAD GENERATED DRAWING - NO PENCIL CHANGES ALLOWED

## X-ON Electronics

Largest Supplier of Electrical and Electronic Components

*Click to view similar products for [Fuse Holder Accessories](#) category:*

*Click to view products by [Littelfuse](#) manufacturer:*

Other Similar products are found below :

[BK/1A1337](#) [1A1853](#) [1A4421](#) [1A5220](#) [903-048](#) [1A1337](#) [1A4544](#) [1A5220-01](#) [CO2-10](#) [CO3-03](#) [348897](#) [B072-7007](#) [BK/1A4421](#) [BK/9732](#)  
[X30110](#) [09030012H](#) [09050023H](#) [00970021HXNVDL](#) [00BS0232P](#) [CO2-04](#) [BK1A1853](#) [BK9834](#) [0880.0001](#) [00970053XP](#) [3566C](#)  
[00970053H](#) [04450718ZX900](#) [CH10CL](#) [BP/FP-3](#) [58600000005](#) [33-012C](#) [880140](#) [00970023S](#) [880150](#) [PDM71009ZXM](#) [B109-7091-4](#) [B109-](#)  
[7091-6](#) [B109-7091-5](#) [901-524](#) [CVR-RH-25100](#) [LFH60030FBC](#) [03540514Z](#) [03540526Z](#) [03540531Z](#) [03540541Z](#) [03540525Z](#) [03540537Z](#)  
[03540539Z](#) [03540540Z](#) [FEH](#)