

## HPDM SERIES POWER DISTRIBUTION MODULE

600 A • MEGA® Fuse • 2 Pole • Sealed • AssureLatch™



### Description

The 2-Pole High Power Distribution Module (HPDM) is designed for OEM and aftermarket applications in the heavy truck and trailer industry. When connected to a tractor / trailer's electrical system it provides two high current MEGA® fuse protected circuit outputs as well as an un-fused output that can optionally be used to parallel multiple modules or deliver power to circuits which do not require circuit protection.

### Features and Benefits

- Separate fuse compartment provides a seal that protects the fuses and their terminations from harsh environments. This allows for permanent cable connections that can be dielectrically sprayed without affecting the fuse.
- Custom insert-molded studs for input/output cable terminations and MEGA® fuse attachment, resulting in high terminal torque capability and lower connection resistance.
- Designed to minimize bridging corrosion between positive live metal surfaces and potentially grounded assembly hardware or mounting surfaces.
- Metal inserts at the mounting holes allows for an increased assembly torque without distorting the base material.
- Optional un-fused terminal for daisy chaining multiple devices or providing power distribution to circuits which cannot be fused.
- AssureLatch™ Technology positive-sealing latches keep the cover securely in place while allowing for fast service.
- Cover label recess allows optional addition of application-specific labels per end-customer requirements.

### Ordering Information

PART NUMBER	VOLTAGE	AMPERAGE	FUSE TYPE	POLES	FUSE HARDWARE		INPUT/OUTPUT HARDWARE		MOUNTING HARDWARE	
					SIZE	TORQUE	SIZE	TORQUE	SIZE	TORQUE
880195400	48	600	MEGA®	2	4x M8x1.25 (included)	15 Nm	1x M8x1.25 3x M10x1.50 (sold separately)	20 Nm (max install 300 RPM)	2x M8 (sold separately)	30 Nm

Note: Custom fuses loadings available. Minimum order quantity required. Contact your manufacturing rep for details.

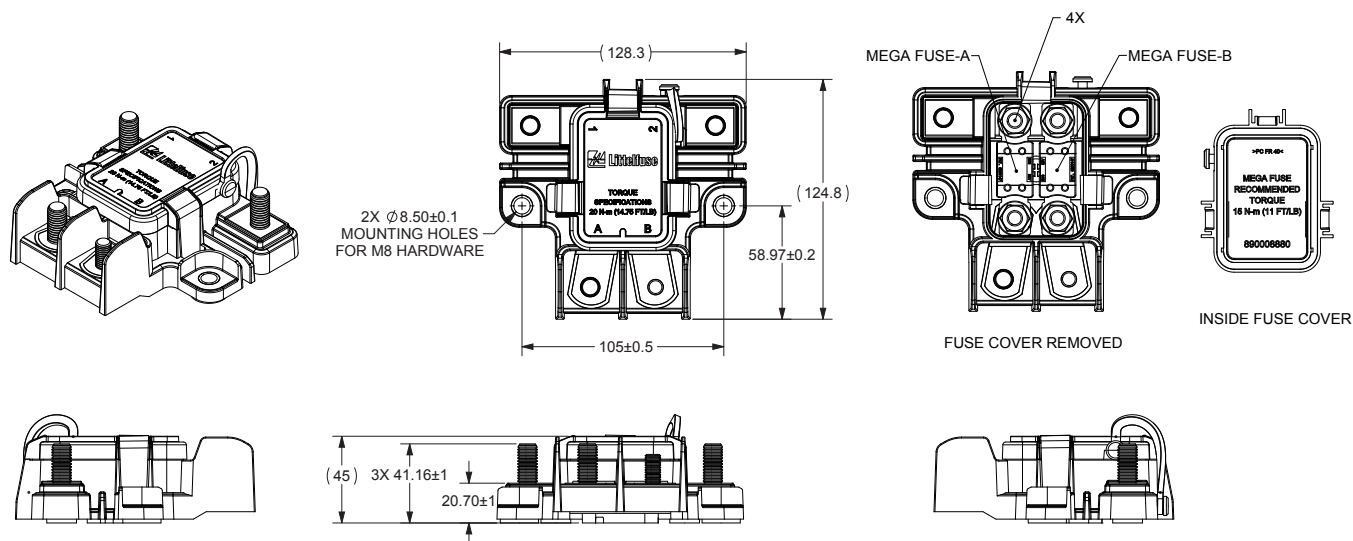
### Specifications Overview

<b>Max Voltage:</b>	48 Vdc
<b>Max Input Current:</b>	600 A
<b>Max Current per Circuit:</b>	300 A
<b>Fuse Hardware:</b>	4x M8x1.25 (included)
<b>Fuse Torque:</b>	15 Nm
<b>Input/Output Hardware:</b>	1x M8x1.25, 3x M10x1.50 (sold separately)
<b>Input/Output Torque:</b>	20 Nm (Max install 300 RPM)
<b>Mounting Hardware:</b>	2x M8 (sold separately)
<b>Mounting Torque:</b>	30 Nm
<b>Operating Temp:</b>	-50°C to +105°C
<b>Ingress Protection:</b>	IP67, IP69K
<b>Flammability Rating:</b>	UL94-V0
<b>Dimensions:</b>	129 x 125 x 45 mm

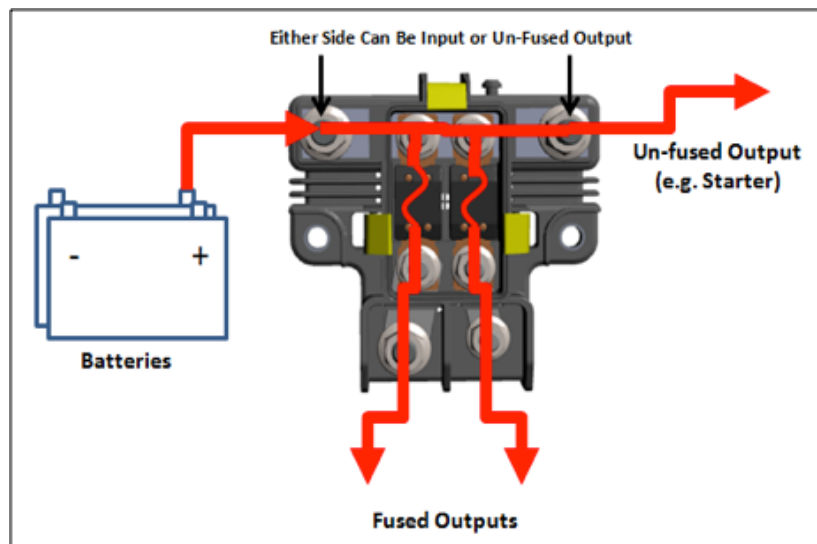
### Web Resources

Download 2D print and technical resources at:  
[littelfuse.com/HPDM](http://littelfuse.com/HPDM)

## Dimensions in millimeters



## Application Drawing



Visit [Littelfuse.com](http://Littelfuse.com) for the most up-to-date product information. Littelfuse reserves the right to make product changes, without notice. Material in this document is as accurate as known at the time of publication.

## X-ON Electronics

Largest Supplier of Electrical and Electronic Components

*Click to view similar products for [Fuse Holder](#) category:*

*Click to view products by [Littelfuse](#) manufacturer:*

Other Similar products are found below :

[570-290-741P40](#) [570-290-751P40](#) [020417G](#) [020418E](#) [6R30A1B](#) [F600A3B](#) [80910030](#) [8601.2020](#) [G15A2SPQ](#) [9-3557-GP REV A](#) [HDJ-B](#)  
[R6J30A3S](#) [HFH-1](#) [RF30A2B](#) [RF30A3SP](#) [15600-08-10](#) [BK/FHN19G](#) [BK/HHM](#) [BK/HKP-CCHH](#) [BK/HKP-JJ](#) [BK/HTJ-LES-FUSE](#) [HMG-](#)  
[241](#) [HTJ-LES-FUSE](#) [C4044-1](#) [2086-1](#) [2193](#) [2602](#) [2650](#) [178.000100](#) [FHN31G1](#) [T30A2B](#) [G4PB8](#) [2660](#) [2799](#) [CQ-209V](#) [HKP-CCHH](#)  
[R6F30A2S](#) [341001A](#) [345621A](#) [CVRMCC](#) [4202](#) [4407](#) [4408](#) [4413](#) [4423](#) [4532](#) [4537](#) [TSD1404-12](#) [BK/FHN31G1](#) [BK/HC-5](#)